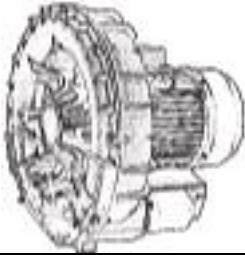
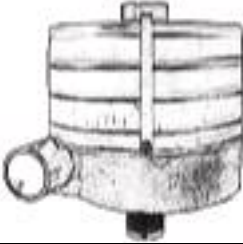

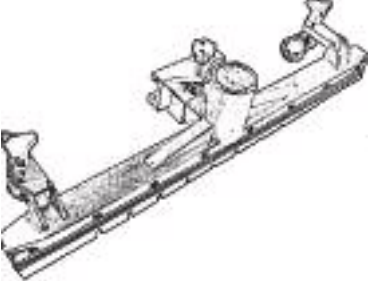
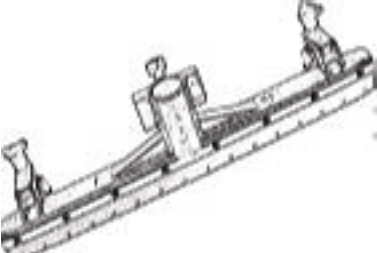


**PLANET**  
ACCESSORIES AND SPARE PARTS

	<b>DESCRIPTION</b>	<b>REF.</b>	<b>USE</b>
	NUOVA REMITAL TURBINE 001356 with build-in valve - PLANET 100M	VP07328	
	SOTECO TURBINE - PLANET 50	VP06364	
	VORTEX WITH FLEXIBLE HOSE FOR PLANET	VP03200 /PLAN	Rotating brush which can be installed on PLANET 200 for the extraction of liquids/dust
	FIXED TOOL - DRY - WITH PLANET EQUIPMENT	VP00041 /PLAN	Brush which can be installed on PLANET 200 for the extraction of dust
	FIXED TOOL - WET - WITH PLANET EQUIPMENT	VP00042 /PLAN	Suction pad that can be installed on PLANET 200 for extraction of liquids.