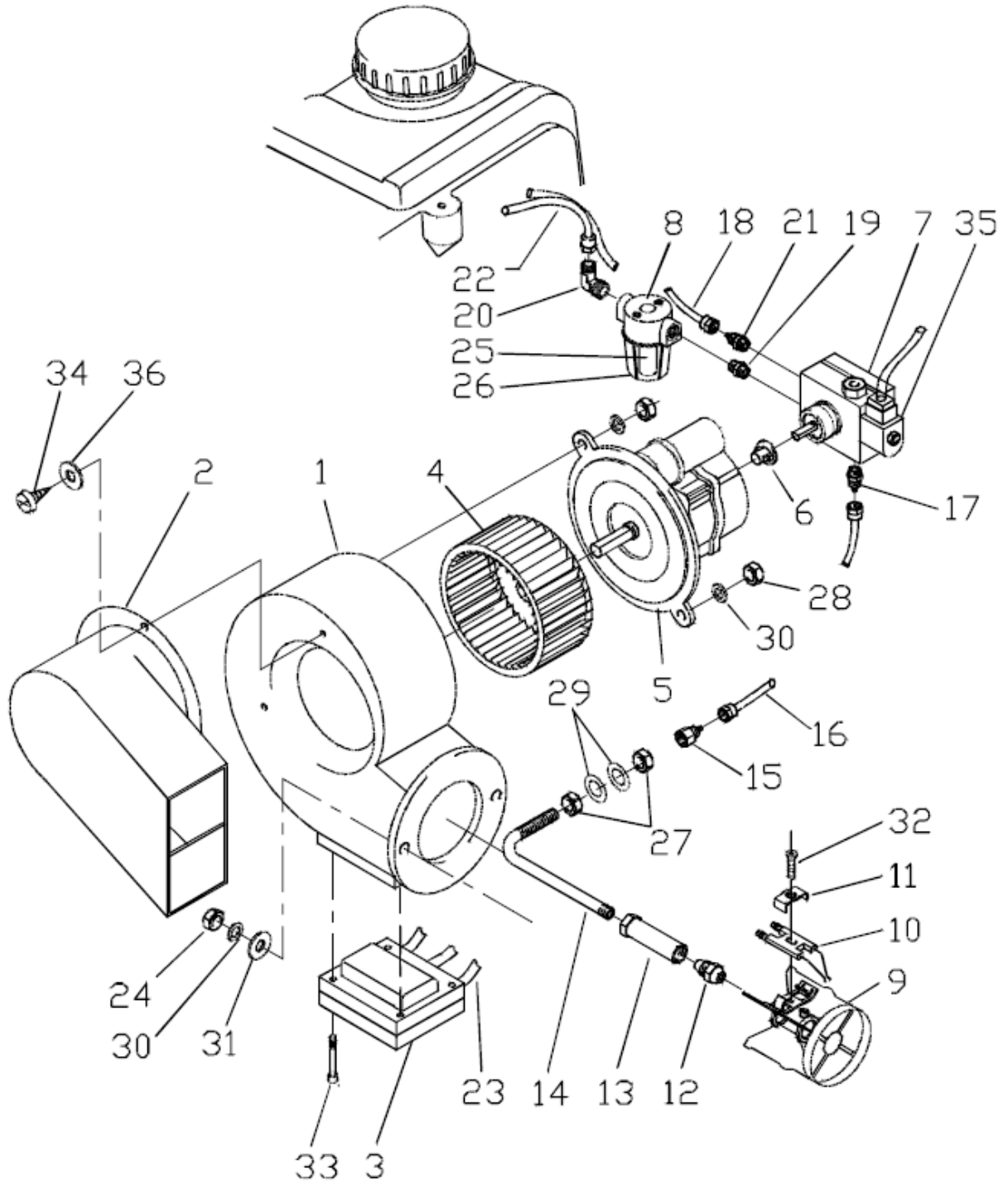


Blower and Burner



Z-0-00009.DWG

Ref.	Description	Part No.	Quantity
1	Burner housing	2062	1
2	Air chanel 50 Hz	2063	1
2.1	Air chanel 60 Hz	2423	1
3	Ignition transformer 230 V	200302	1
3.1	Ignition transformer 110 V	2413	1
4	Fanwheel	2009	1
5	Burner motor 230 V	2005	1
5.1	Burner motor 115 V	200501	1
6	Coupling element	2010	1
7	Fuel oil pump 220-240 Volt with solenoid valve	2004	1
7.1	Fuel pump 24 V	2692	1
7.2	Fuel pump 150 V	2424	1
8	Fuel oil filter complete	2425	1
9	Flame plate 8-retarder 28/75 with electrode-adjustment	200802	1
9.1	Flame plate 8-retarder 22/75 with electrode-adjustment	200803	1
10	Ignition electrode block version	202301	1
11	Fitting for Ref. 11	20230101	1
12	Fuel nozzle 1.35 gph 60°B	200601	1
12.1	Fuel nozzle 1.00 gph 60°B	2006	1
13	Nozzle holder long 47 mm	206401	1
14	Fuel oil pipe 10x3,5x230 mm	206501	1
15	Screw union 1/8" female-PA	2066	1
16	Fuelhose 160 mm	2067	1
17	Screw union 1/8" male-PA	206601	1
18	Fuelhose 500 mm	206702	1
19	Nipple 1/4" male	2937	1
20	Screw union 1/4" male PA	25100	1
21	Screw union 1/4" male-PA	206602	1
22	Fuelhouse 700 mm	206702	1
23	Ignition cable 280 mm	2007	2
24	Hexagon nut DIN 934-M 8	2712	2
25	Fuel filter strainer	2426	1
26	Fuel filter glass	2427	1
27	Nut 1/8" SW14x5 mm	2195	2
28	Nut M8 DIN 934 galv.	2712	2
29	Washer DIN 125-A 10,5	2716	2
30	Serrated lock washer DIN 6798-A 8,4	2799	4
31	Washer DIN 125-A 8,4	3682	2
32	Socket Head Bolt M5x12	-	1
33	Screw M4x50 DIN 912	2973	1
34	Screw DIN 7976 4,8x13	3676	1
35	Solenoid-spool Suntec 24 V	2643	1
35.1	Solenoid-spool Suntec 110 V	3801	1
35.2	Solenoid-spool Suntec 230 V	2108	1
36	Washer DIN 9021- 5,3	3878	2
Recommended spare part-set			
10	Spa.p.-set Ignition elektrode block vers.	202301	1
25	Spare part-set Fuel filter strainer	2426	3
26	Spare part-set Fuel filter glass	2427	1
6	Spare part-set Coupling element	2010	1

File reference: Betriebsanleitung_HD-HDE-HDB-HDD_Ausgabe_06-2003_de_en.pdf

Drawing reference: 01/06/2003