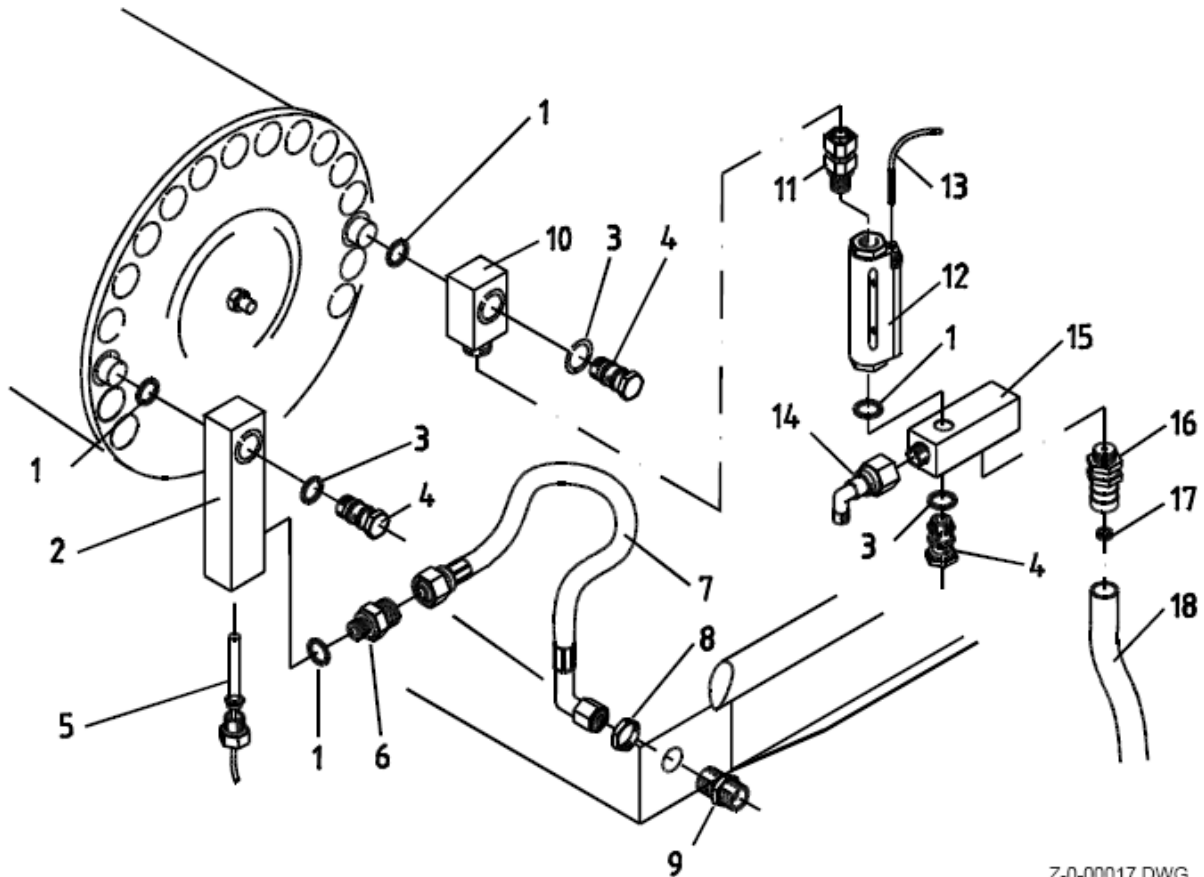


Safety Devices – HD723



Z-0-00017.DWG

Ref.	Description	Part No.	Quantity
1	Sealing Ring Copper 17x21x2,0	2370	5
2	Discharge Block Heating Coil Outlet	5764	1
3	Sealing Ring Copper 18x22x2,0	2353	4
4	Hollow Screw SWV12LR 3/8"	2668	4
5	Thermostat	20121	1
6	Screw union GE12LR3/8"	20961	1
7	High pressure hose NW 8, M18x1.5/M18x1.5, 90° angle, 450 mm	34711	1
8	Nut M18x1,5	3403	1
9	HP-Connection M22x1,5/M18x1,5	2998	1
10	Discharge block heat coil inlet	3877	1
11	Screw union EVGE 12LR 3/8"	2359	1
12	Flow switch	2224	1
13	Reed contact (cont.in Pos 12)	2239	1
14	Screw union evW 12 LV omD	2087	1
15	Discharge block inlet	3744	1
16	Safety valve	5740	1
17	Adjusting screw for Pos. 16	-	1
18	Braided hose 1/2" 200 mm -	207904	1
Recommended spare part-set			
Spare part-set safety valve			
Spare part-set reed contact			

File reference: Betriebsanleitung_HD-HDE-HDB-HDD_Ausgabe_06-2003_de_en.pdf

Drawing reference: 01/06/2003