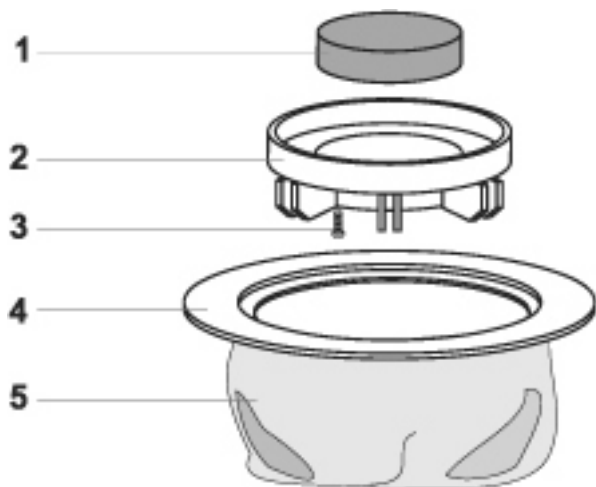
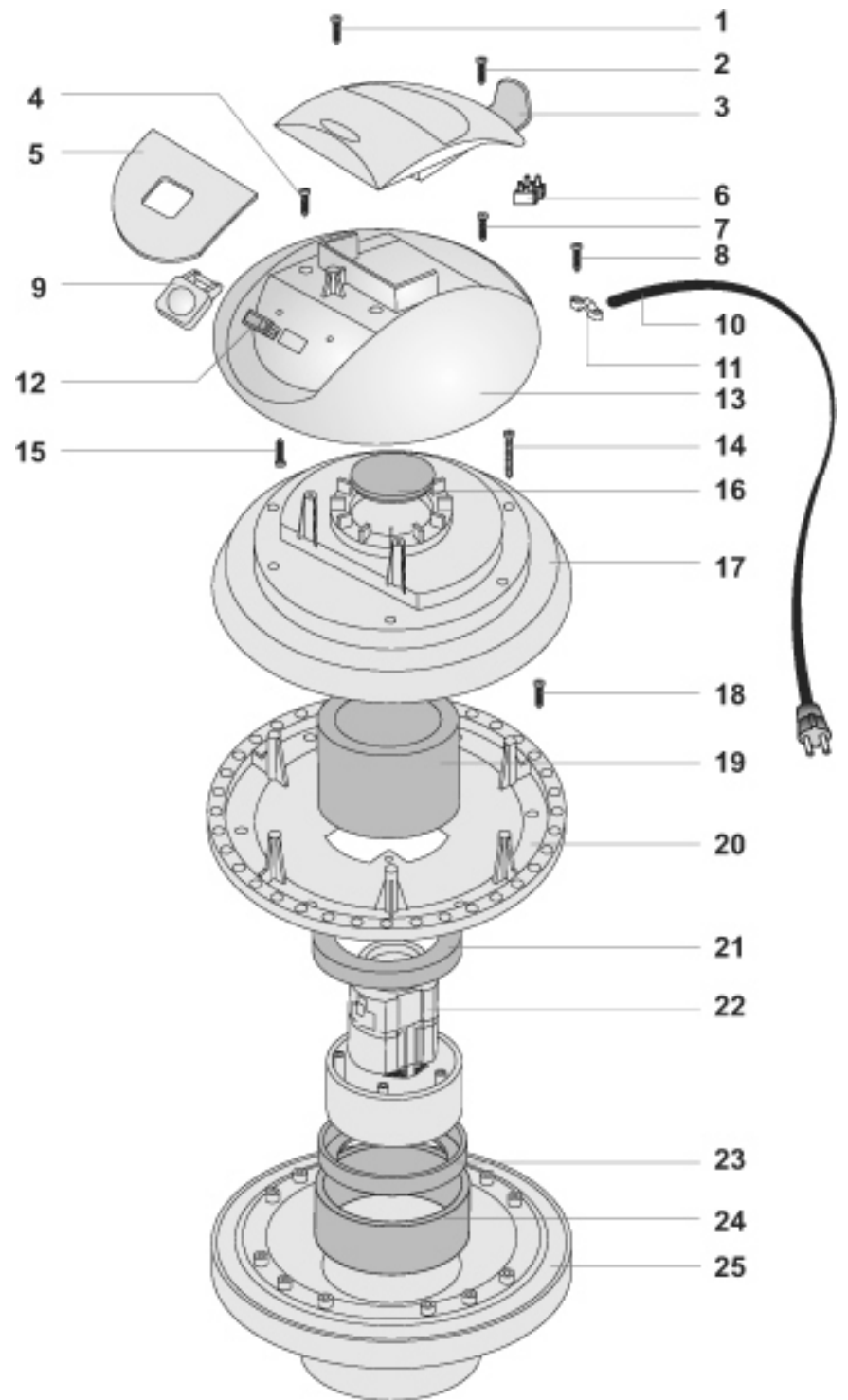


Drawing Reference: 04/06/2003
 File Reference: YES 203 TAV 352-KNZ.pdf
 Excel Reference: HOUSEKEEPER 203 DRY " ... ".xls

Head

Assembly Part No: 6048

POS	PART NUMBER	DESCRIPTION	#
1	VP01006	SCREW 5X20	2
2	VP01006	SCREW 5X20	2
3	VP06031	HANDLE	1
4	VP01006	SCREW 5X20	2
5	VP06032	FRONTAL	1
6	VP00450	TERMINAL BOARD 2 POLES	1
7	VP01006	SCREW 5X20	2
8	VP01006	SCREW 5X20	2
9	VP06034	PUSH BUTTON	1
10	VP00117 AUS	ELECTRIC CORD 2X1 MT.8,5 & PLUG	1
11	VP00139	CABLE CLAMP	1
12	VP06013	SWITCH	1
13	VP06033	TOP COVER	1
14	VP01050	SCREW 5X35	6
15	VP01005	SCREW 5X14	2
16	VP03383	COVERING CUP	1
17	VP06036	MOTOR COVER	1
18	VP01006	SCREW 5X20	6
19	VP03900	FOAM FILTER	1
20	VP06037	MOTORFASTENER	1
21	VP03935	MOTOR GASKET	1
22	VP03691 S	MOTOR 900W	1
23	VP03901	MOTOR GASKET	1
24	VP02629	FILTER 65X15X520	1
25	VP01189 G	BASE 500 W/GASKET	1
*	VP01101	CONNECTING WIRES	2
*	VP01106	CLIP	2
*	VP01103	FASTENER	2



Filter

Assembly Part No: 3833

POS	PART NUMBER	DESCRIPTION	#
1	VP01203	FILTER STRIP 45/PPI D 115	1
2	VP00122	BASKET FOR FILTER 300	1
3	VP01050	SCREW 5X35	4
4	VP00507	FILTER RING 500	1
5	VP00124	FILTER BAG VH0151/101	1

Tank

Assembly Part No: 6040

POS	PART NUMBER	DESCRIPTION	#
1	VP02652 A	COMPLETE INLET MACHINE END	1
2	VP02846	GASKET D.38	1
3	VP02593	DEFLECTOR	1
4	VP02596	BIG BUCKET COVER	1
5	VP06038	PLAST TANK YES 202	1
6	VP01026	SCREW 5X30	4
7	VP01302	RIVET 5X19	4
8	VP03602	HOOK PLASTIC COMPLETE	2

Trolley

Assembly Part No: 6047

POS	PART NUMBER	DESCRIPTION	#
1	VP06045	TROLLEY BODY	1
2	VP01005	SCREW 5X14	4
3	VP06030	CASTOR WHEEL	2
4	VP02680	SCREW 4X15	8
5	VP01005	SCREW 5X14	8
6	VP06042	WHEEL SUPPORT	2
7	VP06043	WHEEL BODY	2
8	VP02557	BLOC D.18	2
9	VP06044	WHEEL COVERING	2

