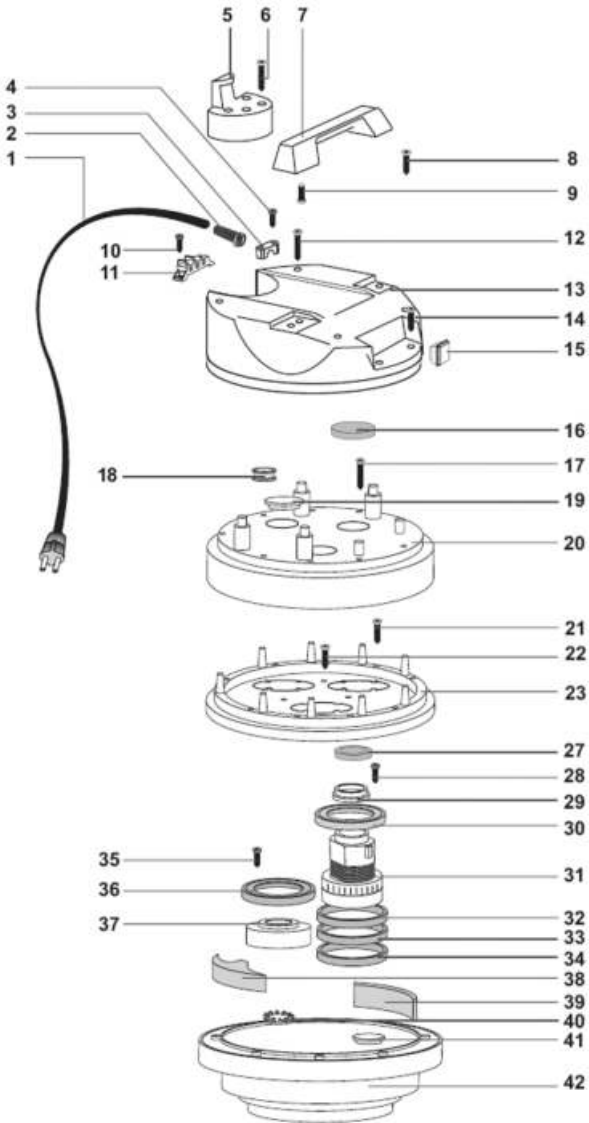


Head

Assembly Part No: 3062 PL HP KAU



POS	PART NUMBER	DESCRIPTION	#
1	VP04062	ELECTRIC CORD 2X1,5 (DOMO)	1
2	VP00138	CABLE SLEEVE	1
3	VP00139	CABLE CLAMP	1
4	VP01006	SCREW PFU TMT PHL 5X20	2
5	VP03032	ELECTRIC CORD HOOK MEC 600	1
6	VP01054	SCREW PAT TMT PHL 5X50	4
7	VP03034	HANDLE MEC 600	1
8	VP01050	SCREW PAT TMT PHL 5X35	2
9	VP01006	SCREW PFU TMT PHL 5X20	4
10	VP01005	SCREW PAT TMT PHL 5X14	2
11	VP03496	TERM BOARD 420/423/429-620/623/629R	1
12	VP01054	SCREW PAT TMT PHL 5X50	2
13	VP03051	COVER MEC 600 2 MOTORS	1
14	VP01006	SCREW PFU TMT PHL 5X20	2
15	VP00484	ANTISPLASH SWITCH	2
16	VP03937	FILTER MTP/65 H=15 D.95	2
17	VP03273	SCREW PAT TMT PHL 5X55	9
18	VP01502	GUIDING SLIT FOR QUICK COUPLING	1
19	VP03383	COVERING CUP	1
20	VP02957	COVERING NEVADA 600	1
21	VP02627	SCREW PAT TMT PHL 5X40	9
22	VP02627	SCREW PAT TMT PHL 5X40	3
23	VP02937	MOTORFASTENER NEVADA 600	1
27	VP03969	WASHER H8 D85X65	2
28	VP01006	SCREW PFU TMT PHL 5X20	8
29	VP00310	PLASTIC RING FOR MOTOR 1200 W.	2
30	VP03901	"L" GASKET WO/H H=5,5	2
31	VP20113	MOTOR 1200 W 240 - 250 50/60 Hz Australia	2
31	VP03890 S	MOTOR BD382 1200W 230V 50/60 (New Zealand only)	2
32	VP07711	MOTOR PACKING	2
33	VP07164	MOTOR PACKING-OUTER	2
34	VP03901	"L" GASKET WO/H H=5,5	2
35	VP01006	SCREW PFU TMT PHL 5X20	4
36	VP03901	"L" GASKET WO/H H=5,5	1
37	VP03451	FEIGNED MOTOR	1
38	VP03454	NOISE FILTER MTP/30 AU SP.45	3
39	VP03456	GASKET MTP/30 AU-AD 50X10X125	3
40	VP00468	AUTOMATIC VALVE	2
41	VP03519	BASE CUP	1
42	VP03108 G	COMPL. BASE 600/400	1
*	VP7632 L	ELECTRIC MOTOR KIT	2
*	VP01106	CLIP	3

Filter

Assembly Part No: 4246

1	VP03706	PLASTIC SLEEVE D.8	4
2	VP03724	SCREW PAT TMT PHL 5X25	4
3	VP02823	HIGHER ANTIFOAM BODY 99	1
4	VP03117	NET FILTER 0,3 D.90 H=58	1
5	VP02676	HIGHER FLOAT 99	1
6	VP00473	FILTER RING 400	1
7	VP02845	CONICAL POLY.FILTER 400	1
8	VP02833	CONICAL BASKET 400	1
9	VP02852	CARTRIDGE FILTER D.175X145X163	1
10	VP02855	COMPL.RING FOR FILTER	1

