

Head

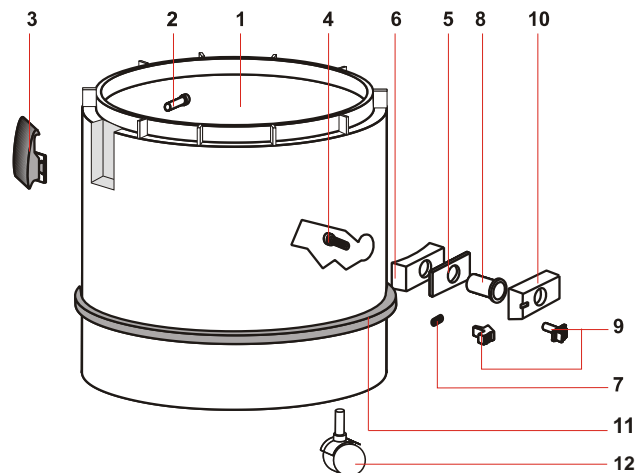
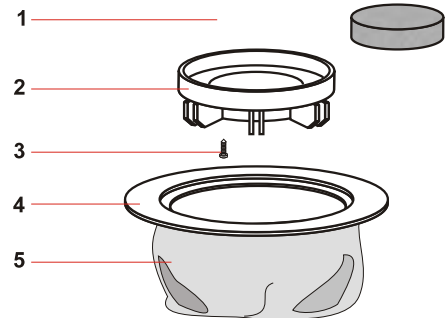
Assembly Part No: 2662

POS	PART NUMBER	DESCRIPTION	#
1	VP00117 AUS	ELECTRIC CORD 2X1 MT.8,5 AUS.	1
2	VP00138	CABLE SLEEVE	1
3	VP00139	CABLE CLAMP	1
4	VP01006	SCREW 5X20	2
5	VP00450	TERMINAL BOARD 2 POLES	1
6	VP02589	CABLE HOOK	1
7	VP01026	SCREW 5X30	4
8	VP02588	HANDLE	1
9	VP01050	SCREW 5X35	2
10	VP01050	SCREW 5X35	2
11	VP00590	TOP COVER W/ADD SOCKET	1
12	VP00114	SWITCH WHITE 4 TERMINAL	1
13	VP01006	SCREW 5X20	4
14	VP00383	PACKING 300/200	1
15	VP01050	SCREW 5X35	6
16	VP02738	MOTOR COVER	1
17	VP03900	FOAM FILTER	1
18	VP02627	SCREW 5X40	6
19	VP02591	MOTOR FASTENER	1
20	VP03935	MOTOR GASKET	1
21	VP02355S	MOTOR 1000 W	1
22	VP03901	MOTOR GASKET	1
23	VP02629	FILTER 65X15X520	1
24	VP01189 GP	MOTOR BASE W/GASKET	1
25	VP02392	ADDITIONAL SOCKET BIPOLAR	1
*	VP01101	CONNECTING WIRES	4
	VP01106	CLIP	4

Filter

Assembly Part No: 3809

POS	PART NUMBER	DESCRIPTION	#
1	VP01203	ENTER FILTER PPI/45 D.115	1
2	VP00122	BASKET FOR FILTER 300	1
3	VP01050	SCREW 5X35	4
4	VP00123	FILTER RING 300	1
5	VP00124	FILTER BAG VH0151/101	1



Tank

Assembly Part No: 3701

POS	PART NUMBER	DESCRIPTION	#
1	VP03552	TANK /101	1
2	VP01300	RIVET 5X24,5	4
3	VP01847/S	COMPLETE PLASTIC HOOK/S	2
4	VP01026	SCREW 5X30	4
5	VP02846	GASKET D.38	1
6	VP02586	GASKET	1
7	VP02608	SPIRAL SPRING	1
8	VP02593	DEFLECTOR	1
9	VP02594	INLET BUTTON	1
10	VP02583	INLET	1
11	VP02630	ANTI-SHOCK BAND	1
12	VP00558	TROLLEY WHEEL BOX	4