

Head

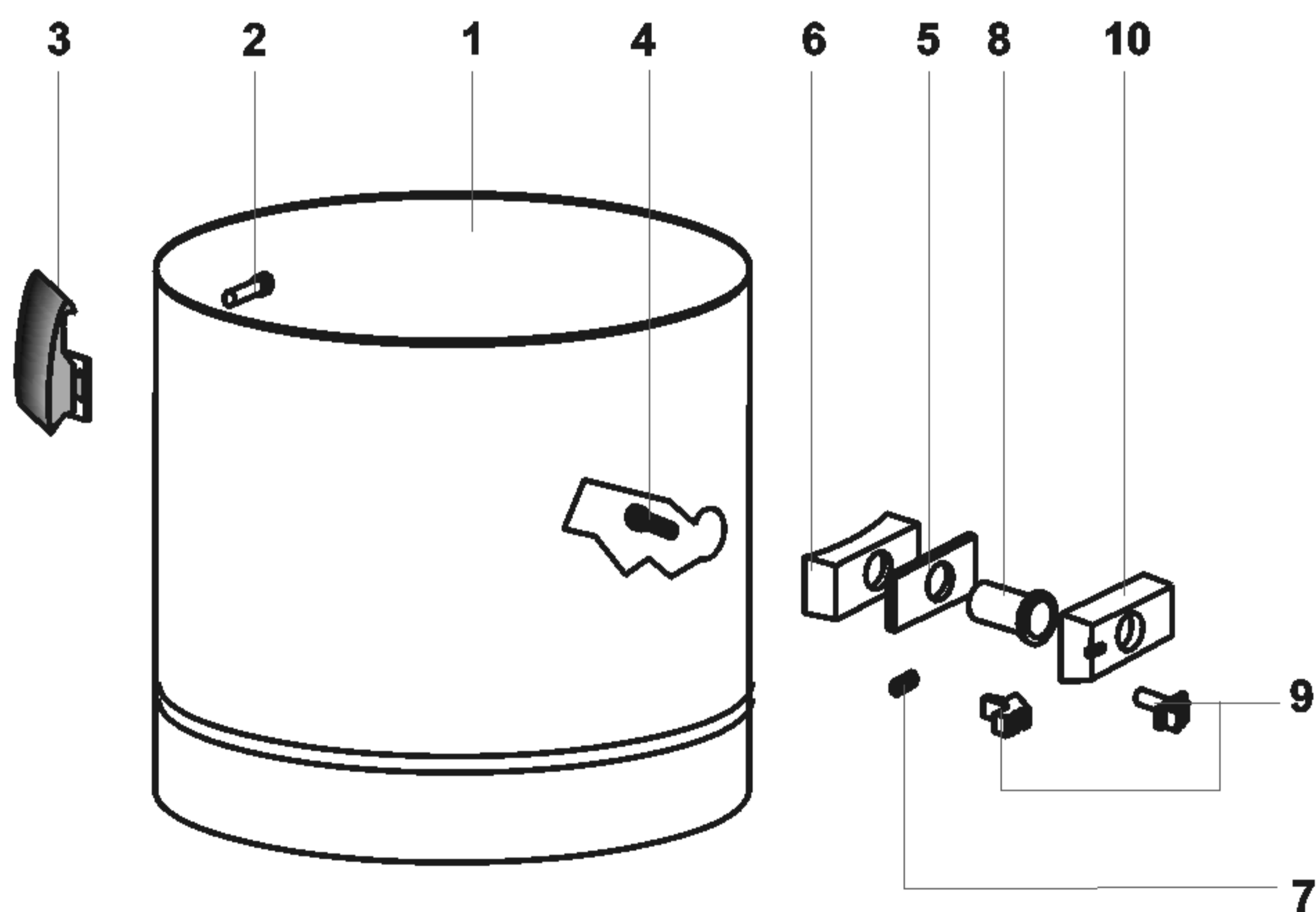
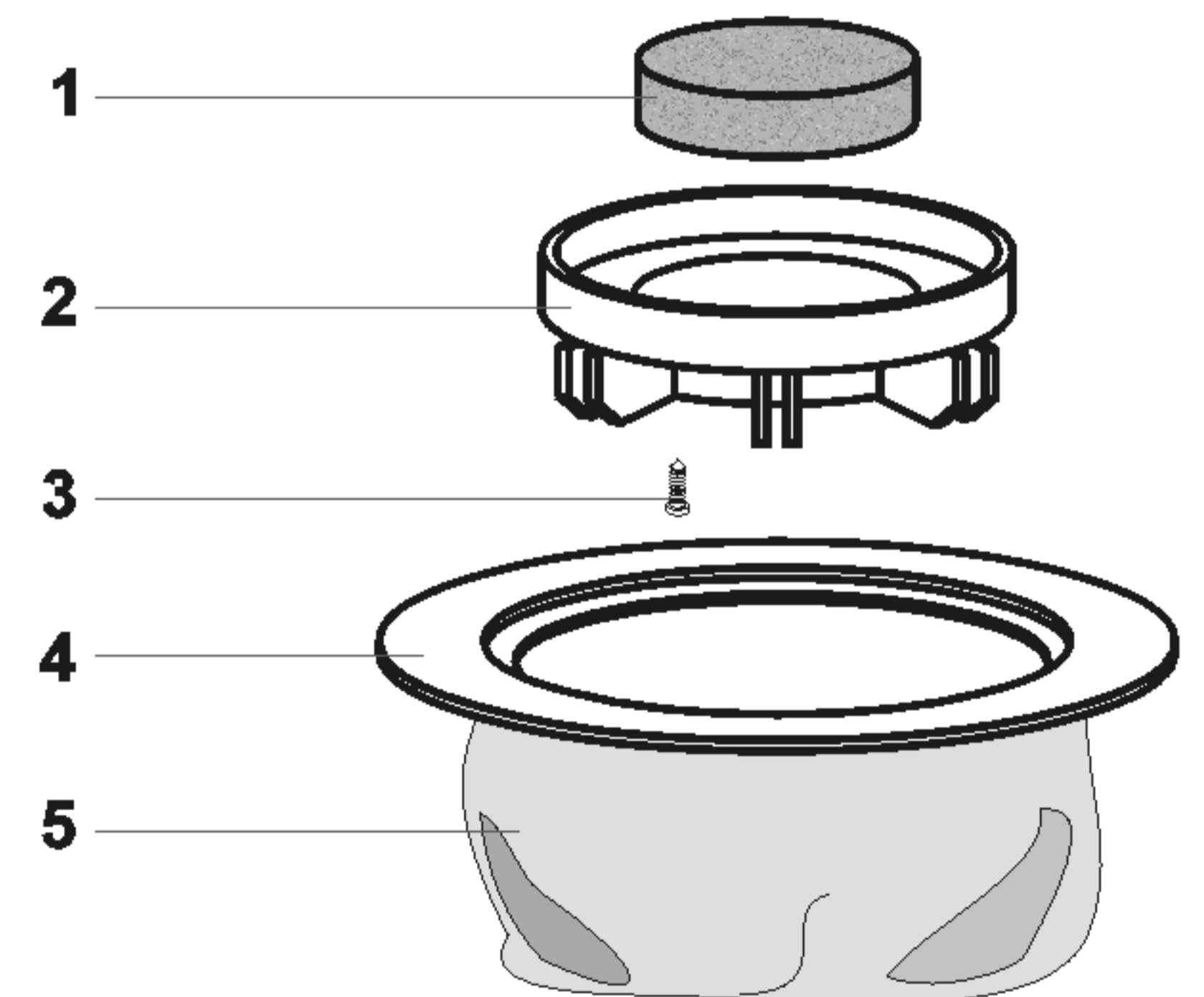
Assembly Part No: 2662

POS	PART NUMBER	DESCRIPTION	#
1	VP00117 AUS	ELECTRIC CORD 2X1 MT.8,5 AUS.	1
2	VP00138	CABLE SLEEVE	1
3	VP00139	CABLE CLAMP	1
4	VP01006	SCREW 5X20	2
5	VP00450	TERMINAL BOARD 2 POLES	1
6	VP02589	CABLE HOOK	1
7	VP01026	SCREW 5X30	4
8	VP02588	HANDLE	1
9	VP01050	SCREW 5X35	2
10	VP01050	SCREW 5X35	2
11	VP02716	TOP COVER W/ADD SOCKET	1
12	VP02392	ADDITIONAL SOCKET BIPOLAR	1
13	VP00114	SWITCH WHITE 4 TERMINAL	1
14	VP01006	SCREW 5X20	4
15	VP03383	COVERING CUP	1
16	VP01050	SCREW 5X35	6
17	VP02738	MOTOR COVER	1
18	VP03900	FOAM FILTER	1
19	VP03189	SCREW M 5X30	1
20	VP02627	SCREW 5X40	6
21	VP02591	MOTOR FASTENER	1
22	VP03935	MOTOR GASKET	1
23	VP02176 S	MOTOR 1000 W	1
24	VP03901	MOTOR GASKET	1
25	VP02629	FILTER 65X15X520	1
*	VP01189 GP	MOTOR BASE W/GASKET	1
	VP01101	CONNECTING WIRES	4
	VP01106	CLIP	4
	VP01107	WIRE WITH RESISTANCE	1

Filter

Assembly Part No: 3833

POS	PART NUMBER	DESCRIPTION	#
1	VP01203	FILTER STRIP 45/PPI D 115	1
2	VP00122	BASKET FOR FILTER 300	1
3	VP01050	SCREW 5X35	4
4	VP00507	FILTER RING 500	1
5	VP00124	FILTER BAG VH0151/101	1



Tank

Assembly Part No: 3296

POS	PART NUMBER	DESCRIPTION	#
1	VP03295	TANK	1
2	VP01301	RIVET 5X11	4
3	VP01847	COMPLETE PLASTIC HOOK	2
4	VP01026	SCREW 5X30	4
5	VP02846	GASKET D.38	1
6	VP02585	GASKET	1
7	VP02608	SPIRAL SPRING	1
8	VP02593	DEFLECTOR	1
9	VP02594	INLET BOTTON	1
10	VP02583	INLET	1

Trolley

Assembly Part No: 1219

POS	PART NUMBER	DESCRIPTION	#
1	VP01218	CASTOR BASE	1
2	VP02572	CASTOR WHEEL	4
3	VP02680	SCREW 4X15	16

