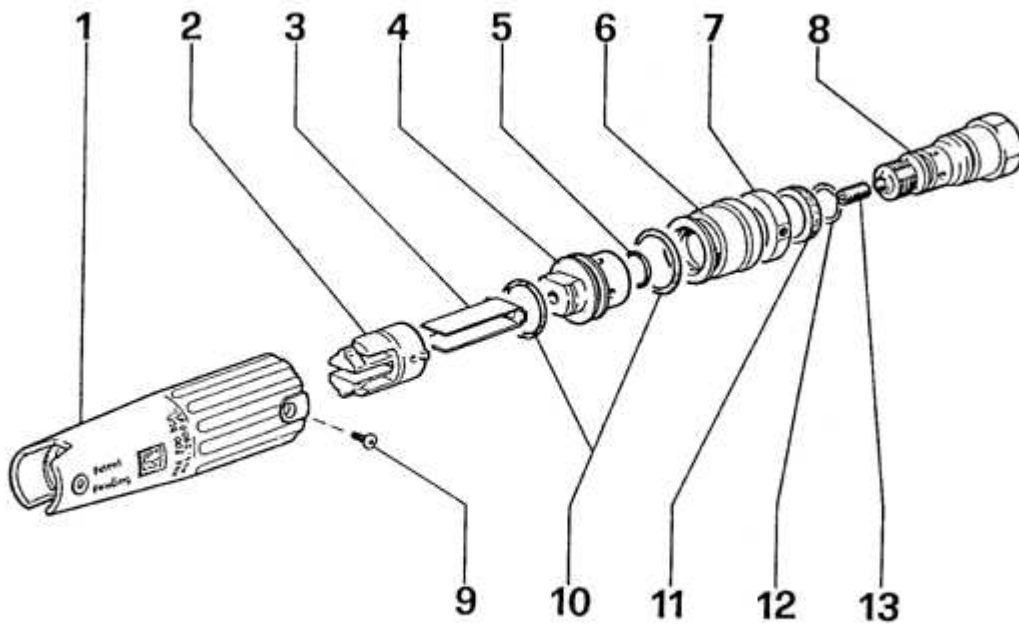


Elite 1910M Nozzle



Ref.	Part N.	Description
0001	PVVR31505	KNOB MRG 99
0002	PVVR09746	PLIERS MRG
0003	PVVR09747	GUIDE BLADE MRG
0004	LCTE31506	HEAD MRG 99
0005	GUGO28927	O-RING D. 9.13 X 2.62 NBR 70SH
0006	PVVR31507	DISTRIBUTOR MRG 99
0007	PVVR29578	CIRCLIP MRG 99
0008	RCDS31508	NIPPLE MRG 99
0009	VTVT31509	SCREW M 3X 4 TCB-TC UNI7687
0010	GUGO01056	O-RING D. 18.72 X 2.62 NBR 70SH
0011	GUVR29577	PACKING D.18 MRG 99
0012	GUGO01047	O-RING D. 11.91 X 2.62 NBR 70SH
0013	UGLN17647	NOZZLE D. 1.30 AR