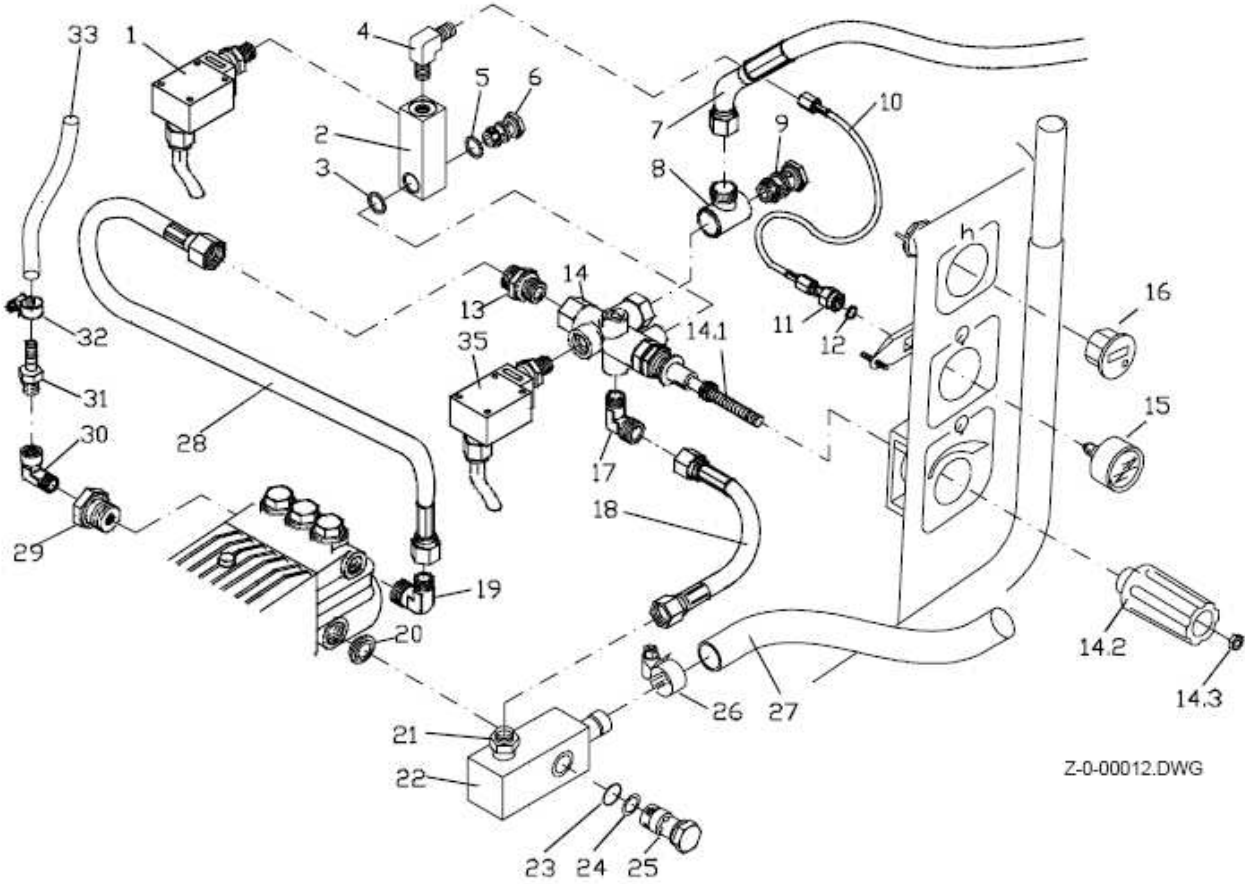


Control Panel (Left)



Z-0-00012.DWG

Ref.	Description	Part No.	Quantity
1	Pressure switch, 1/4"	5750	1
2	Discharge block	5440	1
3	Sealing ring copper 17x21x2,0	2370	1
4	Angle Fitting XWE6LR 1/4"	2378	1
5	Sealing ring copper 18x22x2,0	2353	1
6	hollow screw	2668	1
7	H.P. hose 780 mm, 90°	2105	1
8	Swivel union SWV12LR	2088	1
9	hollow screw (cont. in Pos.8)	2668	1
10	Hose-HD 250mm NW2 210bar	2061	1
11	Manometer Fitting MAV	2085	1
12	Sealing for Ref. 11	-	1
13	Screw Union XGE 12LR 3/8"	2157	1
14	Unloader Valve MV550	3515	1
14.1	Regulation Piston cpl. for MV550	3562	1
14.2	Handwheel red UL for MV550	3564	1
14.3	Secure nut f. Pos.14.2	1340000	1
15	Pressure gauge 0 to 250 bar	2013	1
15.1	Pressure gauge 0 to 400 bar	2777	1
16	Service-Hour-Meter 24V/50Hz Typ 632.5 24V/50Hz	2752	1
17	Angle Fitting XWE 12LR 1/4"	2377	1
18	H.P. hose 290 mm NW8 315bar	2947	1
19	Angle Fitting 3/8"	2099	1
20	Sealing Ring copper for screw 1/2"	3751	1
21	Screw-Union XGE-12LR R3/8"	2157	1
22	Dischargeblock Injector	3744	1
23	Sealing Ring Copper 24x29x2,0mm	3991	1
24	O-Ring 20,35x1,78 NBR70	3693	1
25	Screw R1/2"	3750	1
26	Clip Hose 20-32mm	3724	1
27	Water-Hose 19x4mm 30bar 3/4" 440 mm	3667	1
28	H.P. hose 500 mm NW8 315bar	5307	1
29	Cap R 1/2"	98217600	1
30	Elbow Fitting R 1/4" IG to AG	3746	1
31	Nipple Hose R 1/8"	2733	1
32	Clip hose 10,0	2940	1
33	Chemical suctionhose pump-580mm 6x1,5	205701	1
34	Plug 1/4", DIN 906	2758	1
35	Pressure switch 3/8"	5741	1
Required spare part-set			
	Spare part-set unloader valve MV550	3566	
	Spare part-set pressure switch	12632	