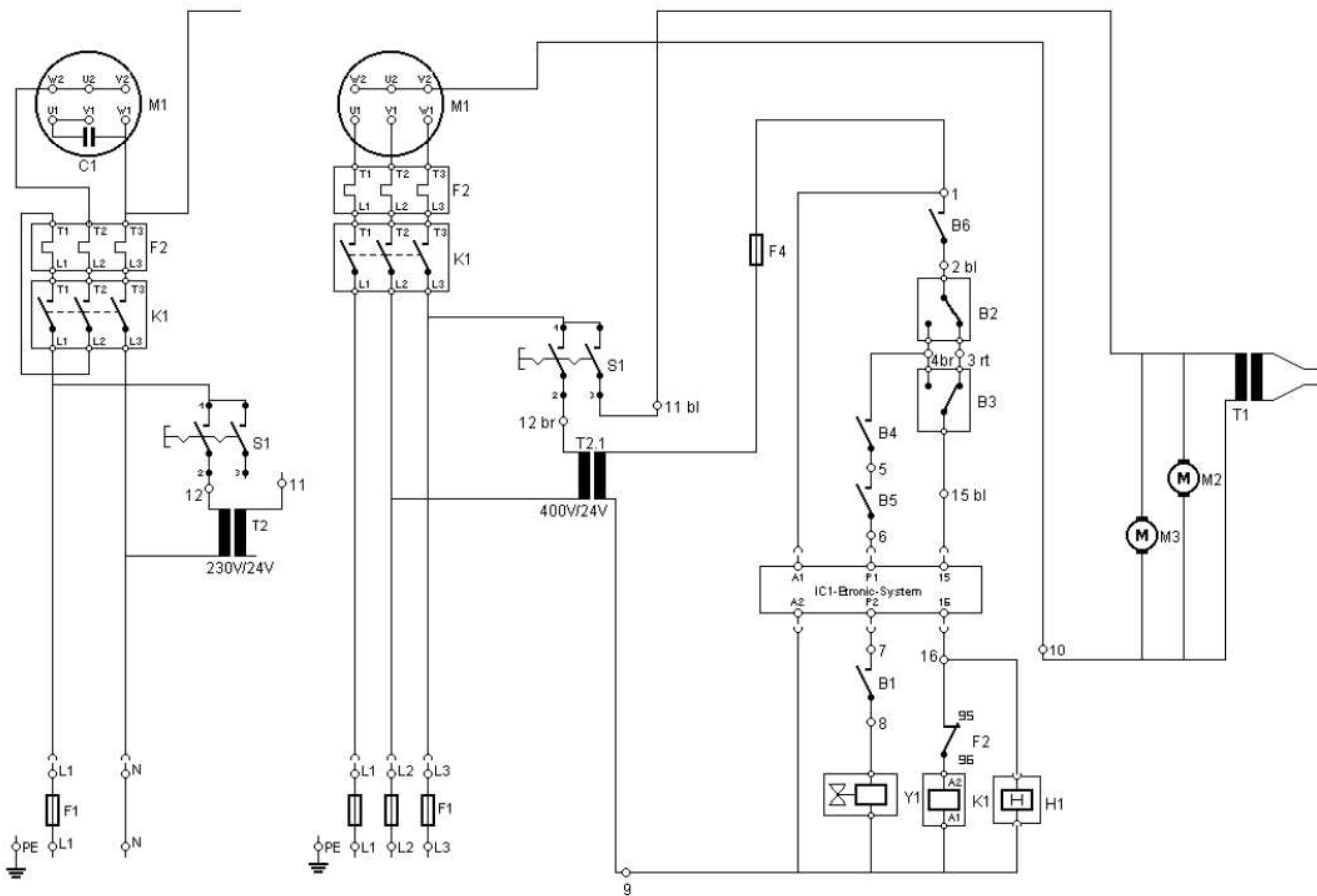


## Wiring Diagram - HD Series



HD2STNEU03.SPL

B1	- Thermostat 0 - 150° C	# 20121
B2	- Pressure switch pumphead	# 5750
B3	- Pressure switch high pressure	# 5750
B4	- Flow switch	# 2224
B5	- Low fuel oil cut off	# 2661
B6	- Low water cut off	# 2748
F1	- Customer fuse	
F2	- Overload protection	
F4	- Fuse circuit 2 A slow blowing	# 3723
H1	- Hour meter 24 V	# 2752
IC 1	- Etronic-System	# 3509
M1	- Pump motor	
M2	- Burner motor	# 2005
M3	- Descaling pump	# 2436
K1	- Contactor 24 Volt	# 23161
S1	- Main switch 0-1-2 (Motor-Heating)	# 2046
T1	- Ignition transformer	# 200302

**File reference:** Betriebsanleitung\_HD-HDE-HDB-HDD\_Ausgabe\_06-2003\_de\_en.pdf

**Drawing reference:** 01/06/2003