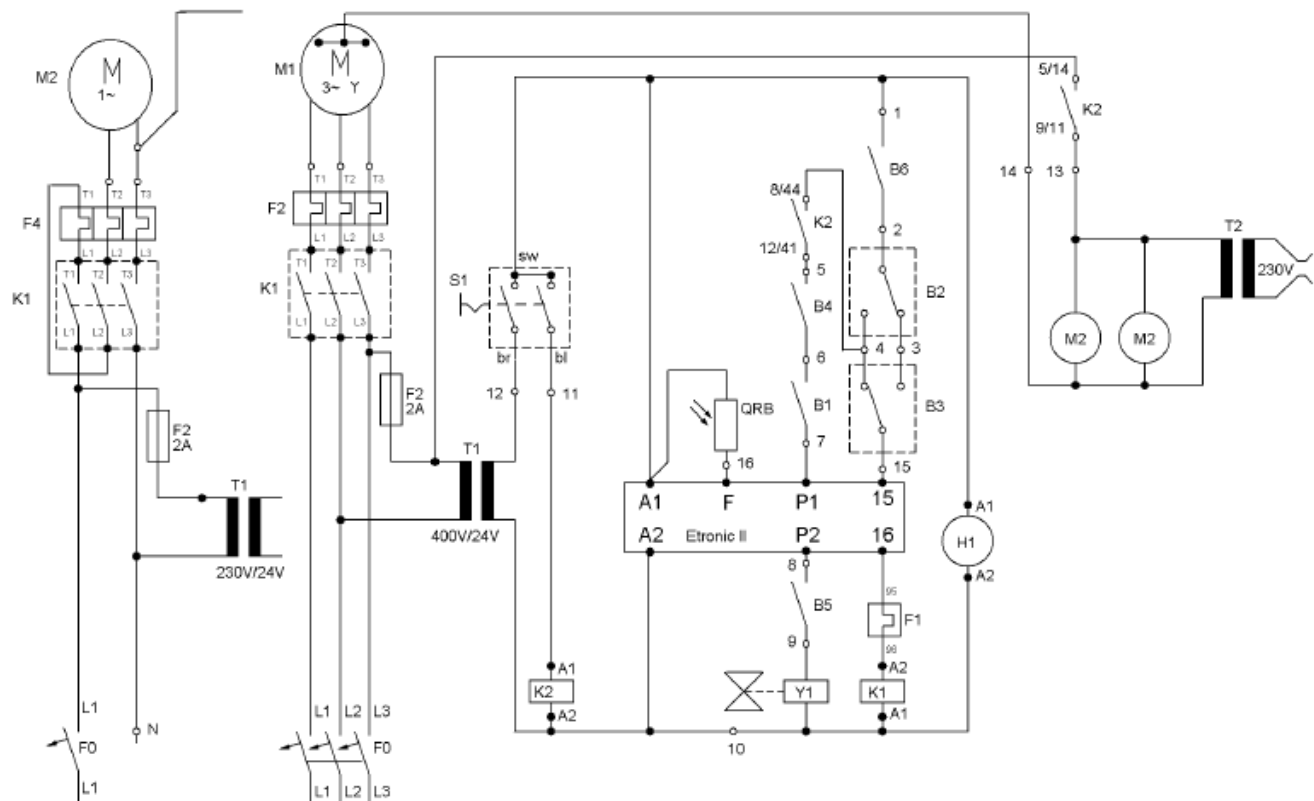


## Wiring Diagram - HD Series with Flame Control



HD-ETRONIC II.SPL

|       |                                       |          |
|-------|---------------------------------------|----------|
| B1    | - Thermostat 0 - 150° C               | # 20121  |
| B2    | - Pressure switch pumphead            | # 5750   |
| B3    | - Pressure switch high pressure       | # 5750   |
| B4    | - Flow switch                         | # 2224   |
| B5    | - Low fuel oil cut off                | # 2661   |
| B6    | - Low water cut off                   | # 2748   |
| F1    | - Overload protection                 | #        |
| F2    | - Fuse circuit 2 A slow blowing       | # 3723   |
| H1    | - Hour meter 24 V                     | # 2752   |
| IC II | - Etronic-System II                   | #        |
| K1    | - Contactor 24 Volt                   | # 23161  |
| K2    | - Relay 24 Volt                       | # 5056   |
| M1    | - Pump motor                          |          |
| M2    | - Burner motor                        | # 2005   |
| M3    | - Descaling pump                      | # 2436   |
| QRB   | - Magic eye                           | # 5789   |
| S1    | - Main switch 0-1-2 (Motor-Heating) # | # 2046   |
| T1    | - Transformer 230/24 V                | # 2320   |
| T1.1  | - Transformer 400/24 V                | # 2648   |
| T2    | - Ignition transformer 230 V          | # 200302 |
| Y1    | - Fuel solenoid valve 24 V            | # 2692   |