

Head 1200W

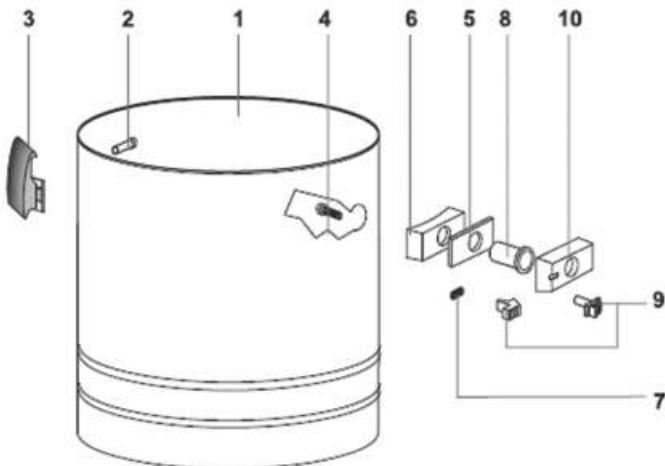
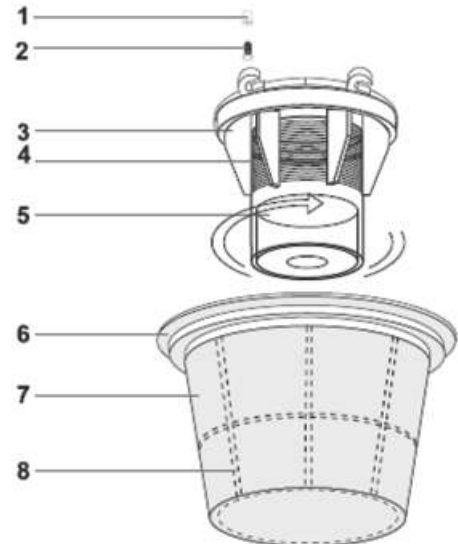
Assembly Part No: 2664P

POS	PART NUMBER	DESCRIPTION	#
1	VP00466 AUS	ELECTRIC CORD 3X1 (AUS)	1
2	VP00138	FAIRLEAD	1
3	VP00139	LOCKLEAD	1
4	VP01006	SCREW PFU TMT PHL 5X20	2
5	VP00140	TERMINAL BOARD 3 POLES	1
6	VP02589	HOOK FOR ELECTRICAL CORD	1
7	VP01026	SCREW PAT TMT PHL 5X30	4
8	VP02588	HANDLE TOP	1
9	VP01050	SCREW PAT TMT PHL 5X35	2
10	VP01050	SCREW PAT TMT PHL 5X35	2
11	VP02716	COVER 99 FOR ADD SOCKET	1
12	VP00326	ANTISPLASH SWITCH	1
13	VP01006	SCREW PFU TMT PHL 5X20	4
14	VP03937	FILTER MTP/65 H=15 D.95	1
15	VP01050	SCREW PAT TMT PHL 5X35	6
16	VP02738	COVER - MOTOR	1
17	VP03969	WASHER H8 D85X65	1
18	VP03900	FOAM FILTER	1
19	VP02627	SCREW PAT TMT PHL 5X40	6
20	VP01006	SCREW PFU TMT PHL 5X20	4
21	VP02591	MOTOR-FASTENER 99	1
22	VP03901	"L" GASKET WO/H H=5,5	1
23	VP03975 CL1	MOTOR BD381 1200W 250 50/60	1
24	VP03901	"L" GASKET WO/H H=5,5	1
25	VP03866	WASHER MTP 65MM 18D 230X145	1
26	VP01189 GP	BASE 500 W/GASKET & STAT.PLATE	1
27	VP03169	GASKET 14X4 L=0.46 MT	1
*	VP01024	GROVER WASHER 4	1
*	VP01064	SCREW M 4X8	1
*	VP01101	CONNECTING WIRES	4
*	VP01102	CONNECTING WIRES	2
*	VP01106	CLIP	3

Filter

Assembly Part No: 3247

1	VP03706	PLASTIC SLEEVE D.8	4
2	VP03724	SCREW PAT TMT PHL 5X25	4
3	VP02823	HIGHER ANTIFOAM BODY 99	1
4	VP03138	NET FILTER 0,4 D.90 H=45	1
5	VP02676	HIGHER FLOAT 99	1
6	VP00507	FILTER RING 500	1
7	VP02860	CONICAL POLYESTER.FILTER 300	1
8	VP02859	CONICAL BASKET 300	1



Tank

Assembly Part No: 2666

1	VP02665	TANK MEC 500 AISI 430	1
2	VP01301	RIVET 5X11	4
3	VP01847	COMPLETE PLASTIC HOOK	2
4	VP01026	SCREW PAT TMT PHL 5X30	4
5	VP02846	GASKET D.38	1
6	VP02585	GASKET R 155	1
7	VP02608	SPIRAL SPRING 99	1
8	VP02593	DEFLECTOR 99	1
9	VP02594	PUSH BOTTON 99	1
10	VP02583	INLET 99	1

Trolley

Assembly Part No: 1219

1	VP01218	TROLLEY BODY SQUARE	1
2	VP02572	WHEEL D.42 W/SQUARE PLATE	4
3	VP02680	SCREW TC POZ 4X15	16

