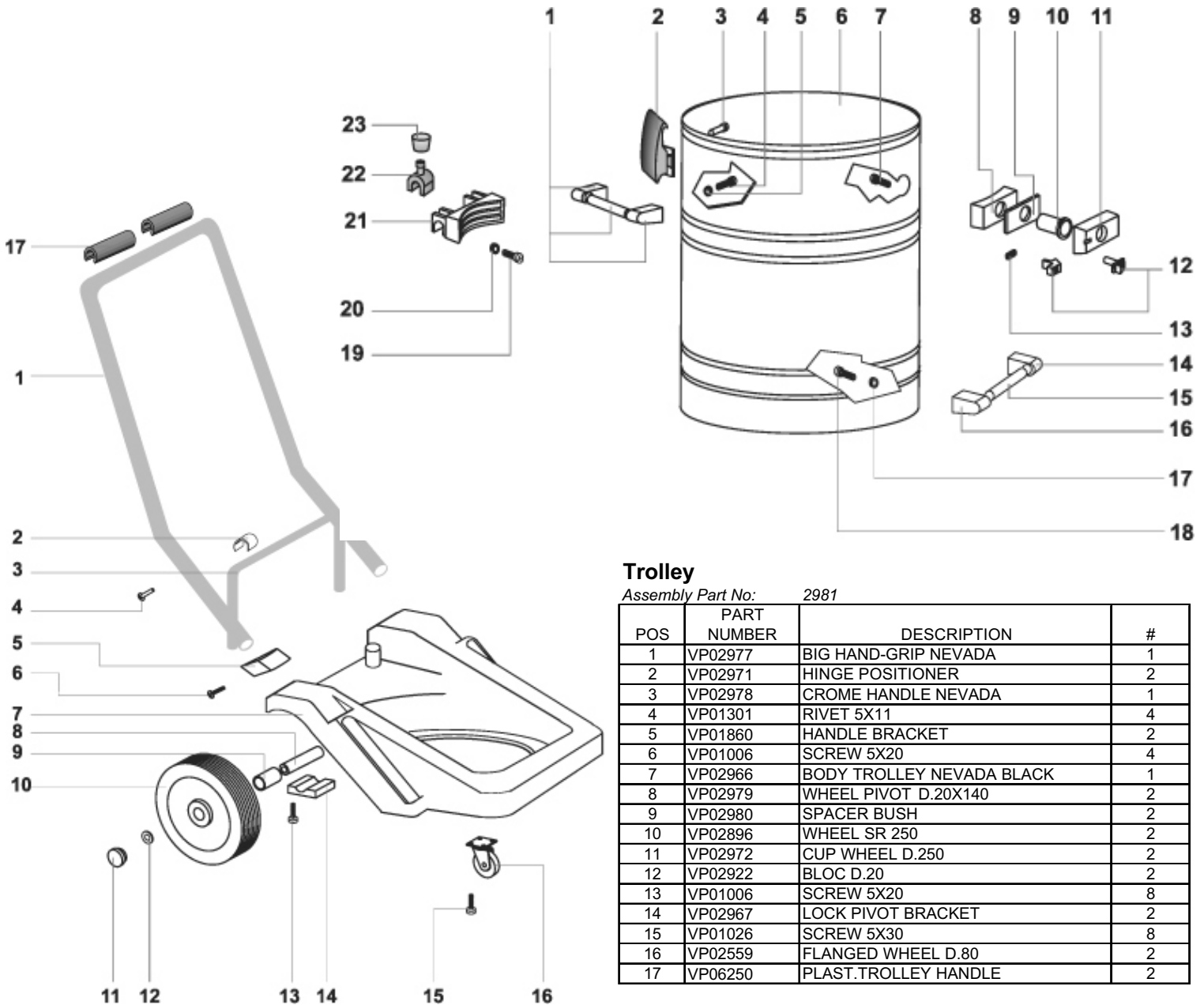


## Tank

Assembly Part No: 2976

POS	PART NUMBER	DESCRIPTION	#
1	VP01073	TANK HANDLE "V.F." ISSA	2
2	VP01847/S	HOOK PLASTIC COMPLETE	2
3	VP01302	RIVET 5X19	4
4	VP01026	SCREW 5X30	8
5	VP03883	COMPLETE SEAL	8
6	VP02975	TIPPING TANK NEVADA 600 AISI 430	1
7	VP01026	SCREW 5X30	4
8	VP02586	GASKET R 205	1
9	VP02846	GASKET D.38	1
10	VP02593	DEFLECTOR	1
11	VP02583	INLET 99	1
12	VP02594	INLET BUTTON	1
13	VP02608	SPRING SPIRAL 99	1
14	VP01075	TANK HANDLE SUPPORT	1
15	VP01074	CHROME TUBE D.25 L=150	1
16	VP01075	TANK HANDLE SUPPORT	1
17	VP03883	COMPLETE SEAL	4
18	VP01026	SCREW 5X30	4
19	VP01026	SCREW 5X30	4
20	VP03883	COMPLETE SEAL	4
21	VP02968	BODY HINGE NEVADA	1
22	VP02970	GRIPPING HINGE	2
23	VP02969	HINGE KNOB	2



## Trolley

Assembly Part No: 2981

POS	PART NUMBER	DESCRIPTION	#
1	VP02977	BIG HAND-GRIP NEVADA	1
2	VP02971	HINGE POSITIONER	2
3	VP02978	CHROME HANDLE NEVADA	1
4	VP01301	RIVET 5X11	4
5	VP01860	HANDLE BRACKET	2
6	VP01006	SCREW 5X20	4
7	VP02966	BODY TROLLEY NEVADA BLACK	1
8	VP02979	WHEEL PIVOT D.20X140	2
9	VP02980	SPACER BUSH	2
10	VP02896	WHEEL SR 250	2
11	VP02972	CUP WHEEL D.250	2
12	VP02922	BLOC D.20	2
13	VP01006	SCREW 5X20	8
14	VP02967	LOCK PIVOT BRACKET	2
15	VP01026	SCREW 5X30	8
16	VP02559	FLANGED WHEEL D.80	2
17	VP06250	PLAST.TROLLEY HANDLE	2