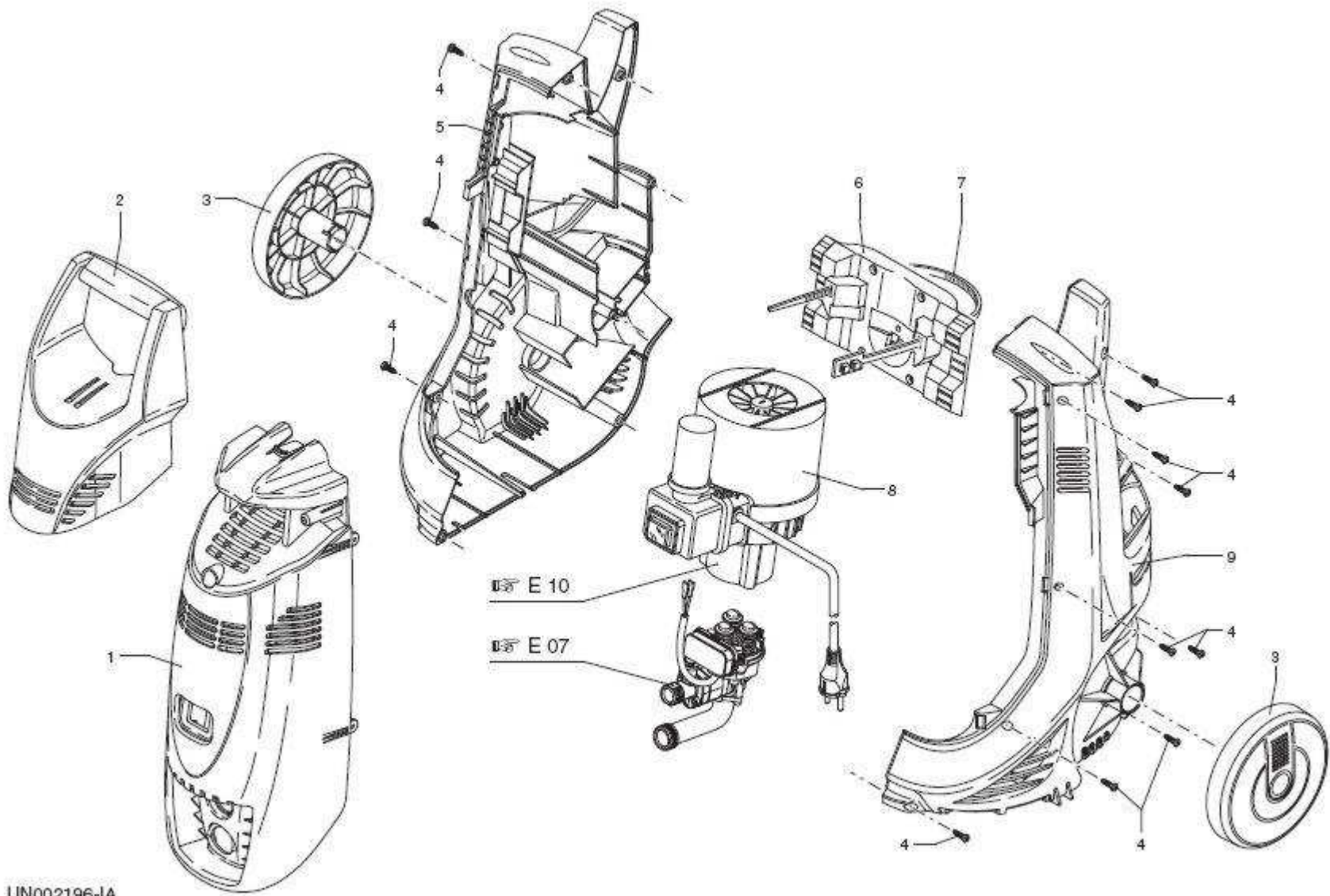




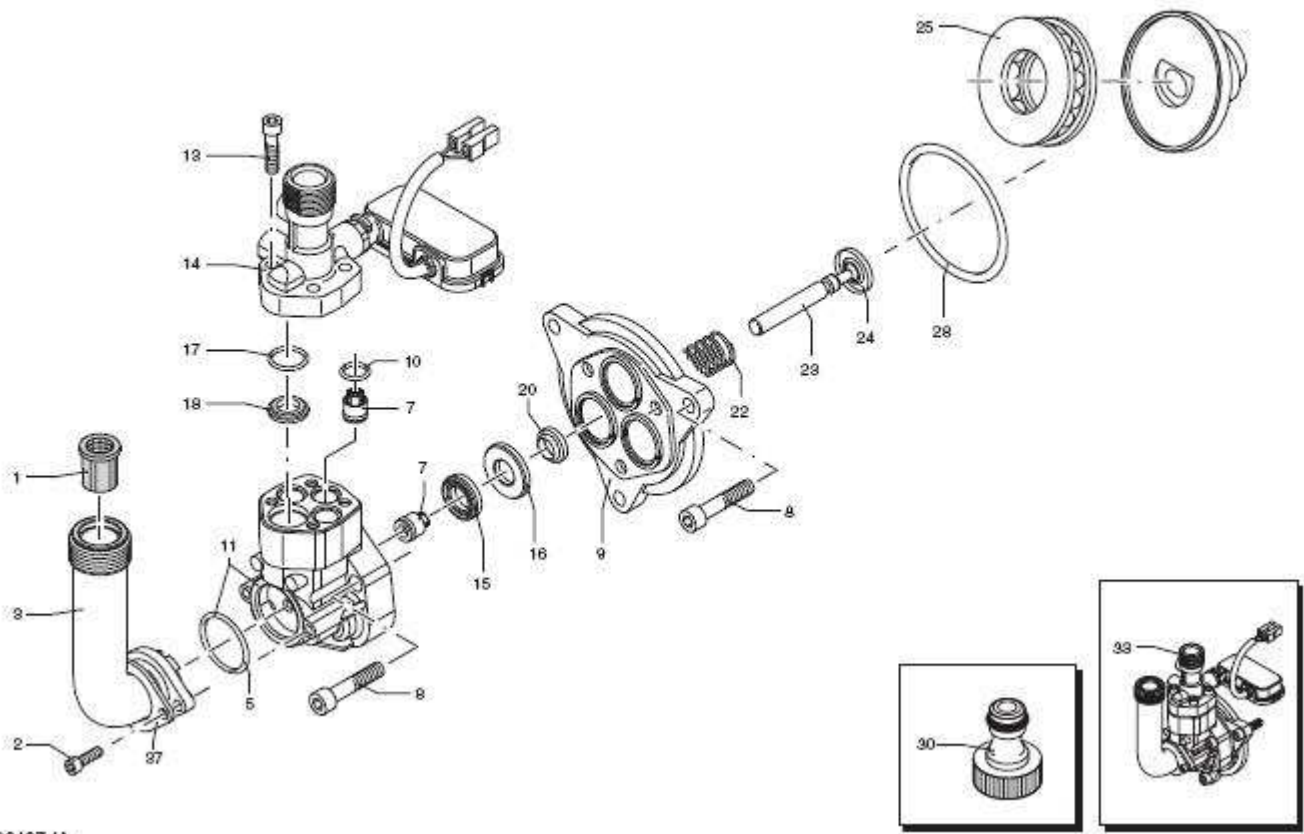
Kerrick Juniorwash Waterblaster



UN002196-IA

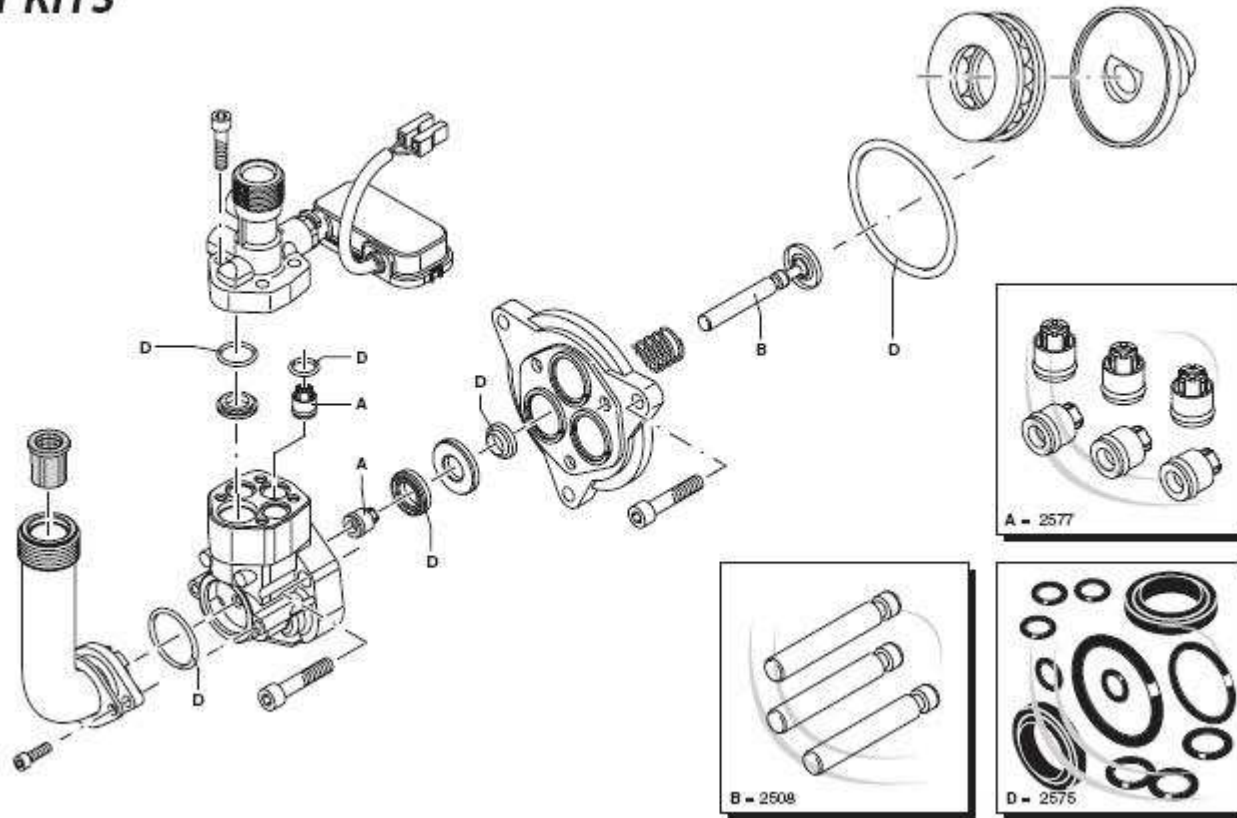
Position	Qty	Part No	Description
1	1	2860040	Yellow casing
2	1	2860100	Handle
3	2	2440070	Driven gear
4	12	2100300	Screw
5	1	2860030	Left casing

Position	Qty	Part No	Description
6	1	2860060	Bracket
7	1	50055	Clamp
8	1	2100070	Conveyor
9	1	2860020	Right casing



UN002197-1A

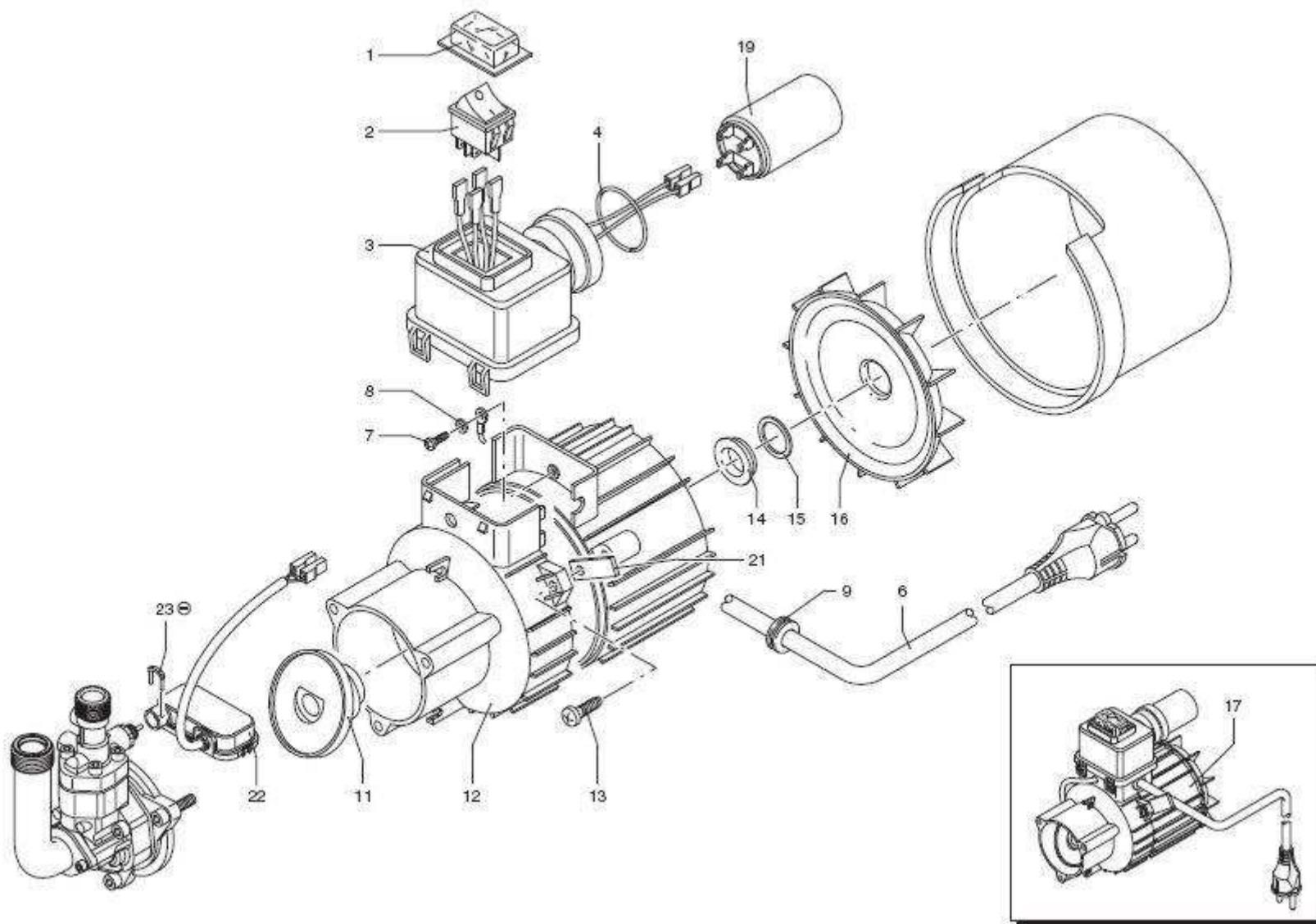
PART KITS



UN002200-1A

Pos.	Cod. Part n°	Denominazione	Description	Q.ta Q.ty	Note Vedl / See
1	1340260	Filtro aspirazione acqua	Water suction filter	1	
2	2101000	Vite TCEI M 4x15	Screw	2	Autoformante
3	2100630	Raccordo aspirazione	Suction fitting	1	
5	550350	OR ø 23,81x2,62	O-Ring	1	
7	2109051	Valvola completa	Complete valve	6	●
	2109050	Valvola completa	Complete valve	6	□
8	850850	Vite TCEI M 6x30	Screw	6	
9	2100030	Guida pistone ø 12	Piston guide	1	
10	880840	OR ø 9,25x1,78	O-Ring	3	
11	2122	Testa pompa + OR	Pump head + O-Ring	1	
13	1260760	Vite TCEI M 5x20	Screw	4	Autoformante
14	2250	Kit racc. mandata + TSS	Outlet fitting + TSS kit	1	
15	2200140	Guarnizione ø 12x20	Gasket	3	
16	2020040	Anello appoggio guarn.	Gasket support ring	3	
17	394280	OR ø 12,42x1,78	O-Ring	1	
18	2560480	Boccola tenuta	Bushing	1	
20	1683500	Anello tenuta	Seal ring	3	
22	2020150	Molla	Spring	3	
23	2100130	Pistone ø 12	Piston	3	
24	2020140	Piattello portamolla	Spring plate	3	
25	2021570	Cuscinetto	Bearing	1	
28	850840	OR ø 62x2	O-Ring	1	
30	1461470	Innesto raccordo+guarn.	Attachment for tap+gasket	1	3/4" G(F)
33	2210	Kit prem. pompa + TSS	Pump assembly + TSS kit	1	
37	2101450	Flangia fissaggio racc.	Inlet fitting plate	1	

A=KIT 2577 ● valvole valves		A=KIT 2574 □ valvole valves		B=KIT 2508 pistoni pistons		D=KIT 2575 tenute gaskets	
Pos.	Q.ty	Pos.	Q.ty	Pos.	Q.ty	Pos.	Q.ty
7	6	7	6	23	3	5	1
						10	3
						15	3
						17	1
						20	3
						28	1



UN002199-IA

Pos.	Cod. Part n°	Denominazione	Description	Q.tà Q.ty	Note Vedi / See
1	2100280	Cuffia di protezione	Cover	1	
2	1682270	Interruttore 8A	Switch 8A	1	
3	2100060	Scatola interruttore	Switch box	1	
4	390201	OR ø 39,34x2,62	O-Ring	1	
6	2200090	Cavo	Cable	1	①
7	2020570	Vite autof. M 4x12	Screw	1	
8	1262400	Rosetta ø 4	Washer	1	
9	2100110	Passacavo	Gland	1	
11	2101710	Piattello oscillante	Wobble plate	1	
12	2109270	Prem. corpo pompa	Pump housing assembly	1	
13	2100980	Vite autof. M 5x20	Screw	3	
14	1340350	Anello tenuta	Seal ring	1	
15	2020850	Rondella	Washer	1	
16	1680250	Ventola	Fan	1	
17	4820	Motore elettrico	Electric motor	1	● ①
18	2200290	Condensatore 16 µF	Capacitor 16 µF	1	
20	2440160	Piastrino	Plate	1	●
22	2029721	Prem. TSS	TSS assembly	1	
23	2021960	Forcella	Clip	1	

SIMBOLOGIA - SYMBOLS

● TEAM **Kerrick Junior Wash**

① 230V/50Hz - Schuko

⊖ Non compreso nel premontaggio motore
No part of pre-assembly electric motor