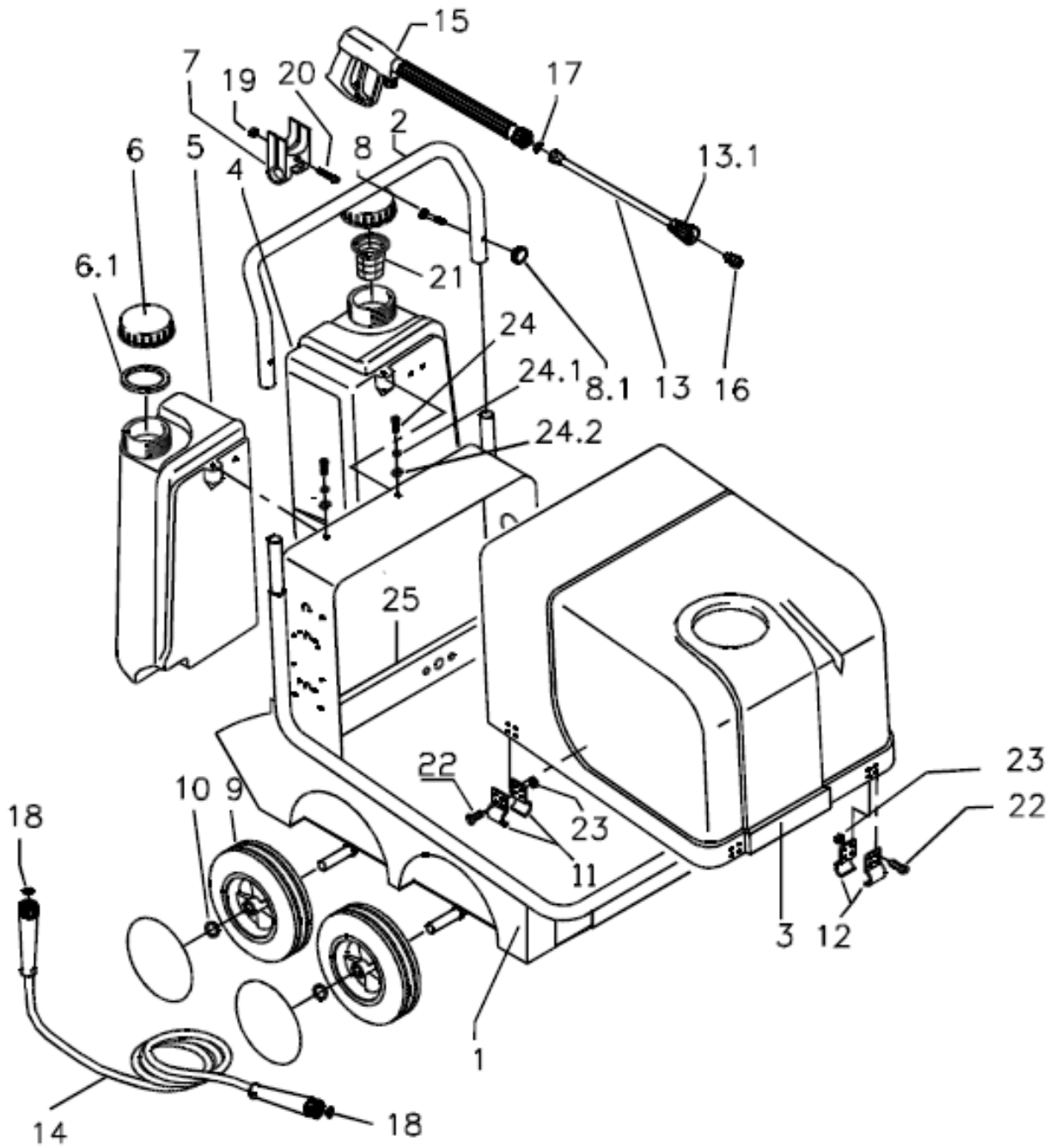


General Layout



Z-0-00008.DWG

Ref.	Description	Part No.	Quantity
1	Frame	204701	1
2	Handle	2048	1
3	Cover	3504	1
4	Fuel oil tank	2049	1
4	Chemical tank HDE-Series	2049	1
5	Chemical tank	2050	1
6	Tank cap	2030	2
6.1	Sealing for tank cap	3695	2
7	Gun bracket	2051	1
8	Screw DIN 933-M6x40	205201	2
8.1	Handle screw black M6	2052	2
9	Wheel 250 mm from 04/98 complete with wheel cap	3739	4
10	Starlock cap	2877	4
11	Cover bracket soft	2053	4
12	Cover bracket strong	2054	4
13	Spray wand 500 mm with nozzle protection	200101	1
13*	Steam nozzle with spray wand 500 mm	2194	1
13.1	Nozzle adapter R1/4"	2029	1
14	High pressure hose 10 m	2000	1
14*	High pressure hose 15 m	2035	1
14*	High pressure hose 20 m	2153	1
15	Gun with insulated handle	123203	1
16	Nozzle 25035 for HD 640, HDB 1540	200209	1
16	Nozzle 2504 for HD 623	200207	1
16	Nozzle 25045 for HD 723, HD 840, HD 1140	200201	1
16	Nozzle 2505 for HDE 800, HDB1240, HDD 1240	200202	1
16	Nozzle 2507 for HD 1240	200204	1
17	O-ring viton 9,3 x 2,4	13273	1
18	O-ring 10 x 2	2251	2
19	Hexagon nut DIN 934-M6	2712	1
20	Screw DIN 912-M6x30	271201	1
21*	Fuel oil filter	3644	1
22	Screw Din 964 M5x16	3889	16
23	Nut M5 DIN934	2760	16
24	Screw DIN912 M6x10	2708	2
24.1	Secure ring DIN 6797 6,4	271101	2
24.2	Washer DIN125 6,4	2707	2
25	Corner protection HD-Series	2267	1
*	Option		
Recommended Spare Part Kit			
	Spare part-set O-ring viton 9,3 x 2,4 Spray wand	13273	10
	Spare part-set O-ring 10 x 2 High pressure hose	2251	10
	Spare part-set High pressure nozzle	(see above)	3
	Spare part-set Trigger gun	20010500	1