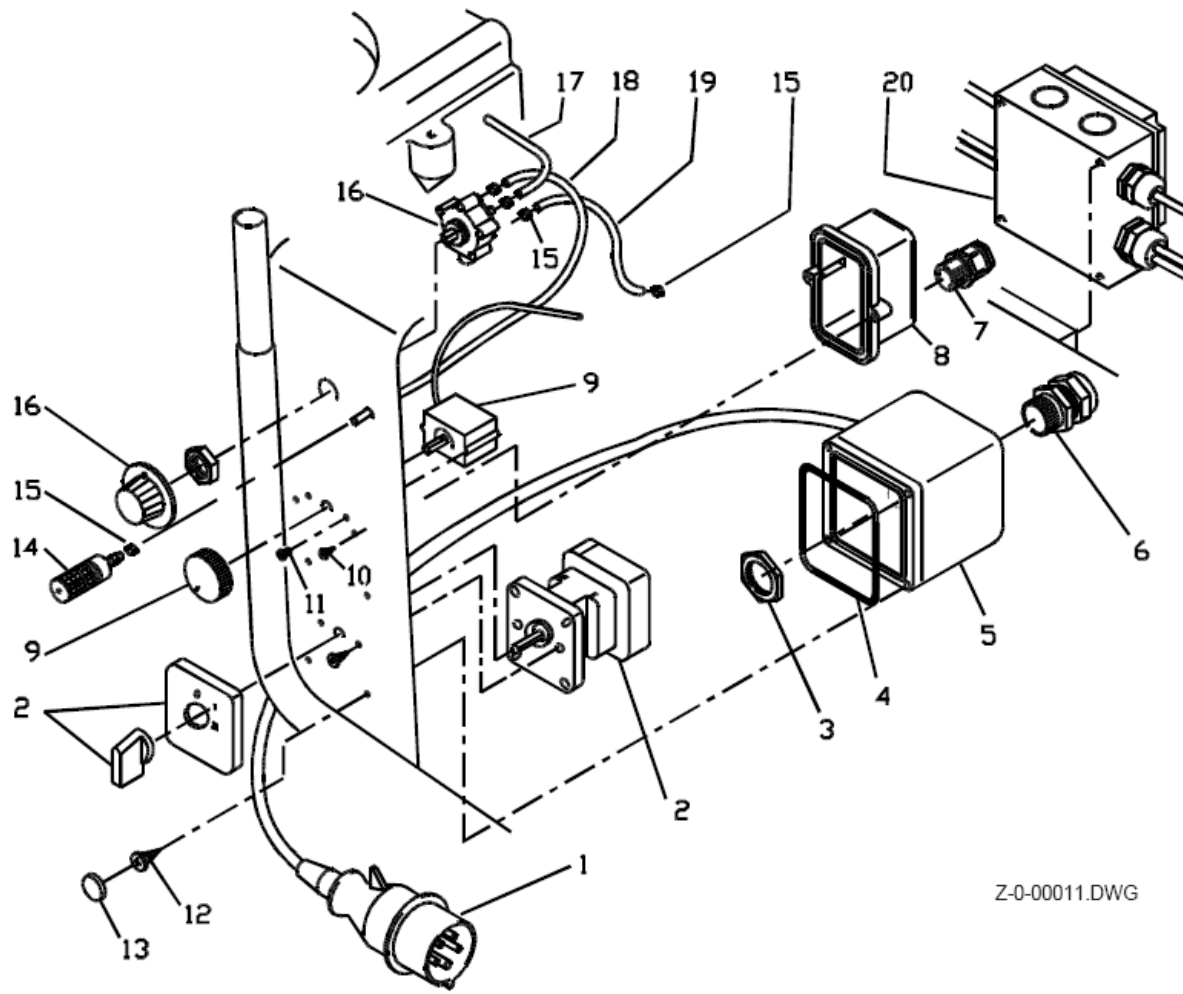


**Control Panel (Right) – HD Series**



Z-0-00011.DWG

<b>Ref.</b>	<b>Description</b>	<b>Part No.</b>	<b>Quantity</b>
1	Cekon plug 16 Amp (HD 640, HD 840, HD 1140, HD 1240)	2055	1
1.1	Schuko plug 16 Amp (HD 623, HD 723)	205501	1
2	Main switch	204601	1
3	Wire-joint locknut M25x1,5	5348	1
4	O-ring 100 x 3	2508	1
5	Switch covering 1-hole	25091	1
6	Wire-joint M25x1,5	5312	1
7	Wire-joint M16x1,5	5346	1
8	Thermostat covering	2252	1
9	Thermostat	20121	1
10	Screw DIN 7981CH 2,9x9,5	3669	1
11	Screw DIN M4x8	3668	1
12	Screw DIN 7981C 4,8x9,5	5825	1
13	Screw cap No. 7 black		1
14	Chemical suctionhose filter	2056	1
15	Clip hose Oetiker 11,0	2381	5
16	Chemical metric valve	2014	1
17	Chemical suctionhose tank 750 mm	2057	1
18	Chemical suctionhose outside 1000 mm	205702	1
19	Chemical suctionhose pump 580 mm	205701	1
20	Terminal box		
<b>Recommended spare part kit</b>			
9	Thermostat	20121	1
16	Chemical metric valve	2014	1