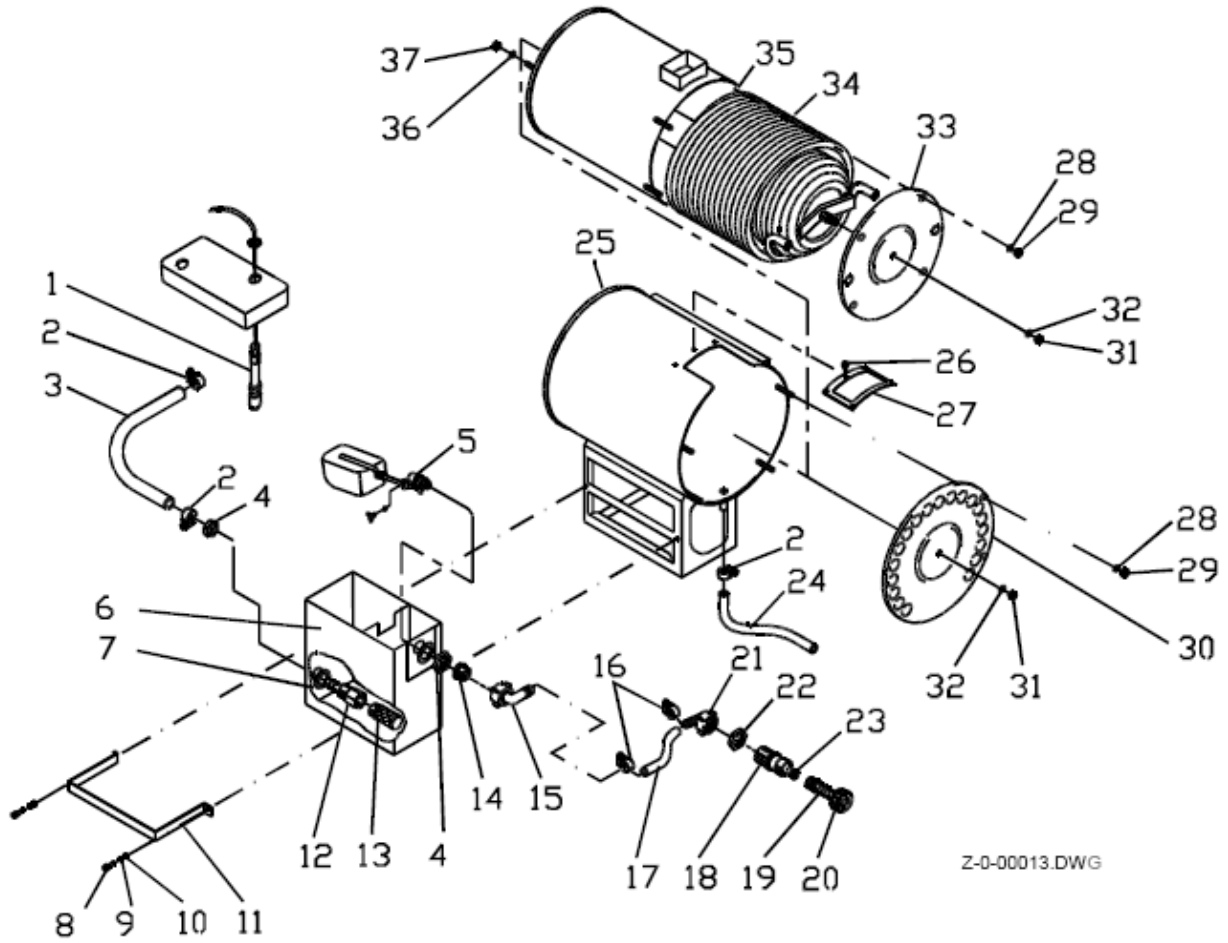


Coil



Ref.	Description	Part No.	Quantity
1	Low water cut off	2748	1
2	Hose clamp 20-32 mm	3724	3
3	Suction hose 3/4" 440 mm	366701	1
4	Nut 1/2" (cont. in Ref. 5)	-	2
5	Float valve	3637	1
6	Boiler Container complete set	3638	1
7	Sealing ring polyamide	3689	1
8	Screw DIN 912-M5x12	3856	2
9	Serrated lock washer DIN 6798-A5,3-FSt	5275	2
10	Washer DIN 125-A 5,3	52761	2
11	Holding bow for boiler container	5827	1
12	Hose nipple 3/4"	3738	2
13	Strainer 1/2"	3514	1
14	Adapter 3/4" AG to 3/8" IG	3639	1
15	Angle Fitting (two parts)	2677	1
16	Hose clamp 12/20mm	2374	2
17	Water hose 1/2" 480 mm	207901	1
18	Water inlet 3/4"	2644	1
19	Hose nipple 1/2"	41046	1
20	Union nut 3/4"	41047	1
21	Angle Fitting (two parts)	2677	1
22	Nut 3/4" (cont. in Ref. 1)	2629	1
23	Water filter	3725	1
24	Hose 3/4" 220 mm	366702	1
25	Outer jacket	207002	1
26	Screw 4,8x13	43021	1
27	Heat insulation covering	207901	1
28	Washer DIN 125-A 6,4	2707	1
29	Hexagon nut DIN 934-M6	2709	1
30	Outer cover	2072	1
31	Hexagon nut DIN 934-M12	2713	1
32	Washer DIN 125-A 13	3866	1
33	Inside cover	2071	1
34	Heating coil	2059	1
35	Inside jacket	2068	1
36	Washer DIN 125-A 8,4	3682	1
37	Hexagon nut DIN 934-M8	2712	1
Required Spare Part-Set			
	Spare part set water filter	3432	1
	Outer jacket with float valve up to serial-no. 291430797	2070	1
5, 20, 22	Spare part set float valve	3637	1