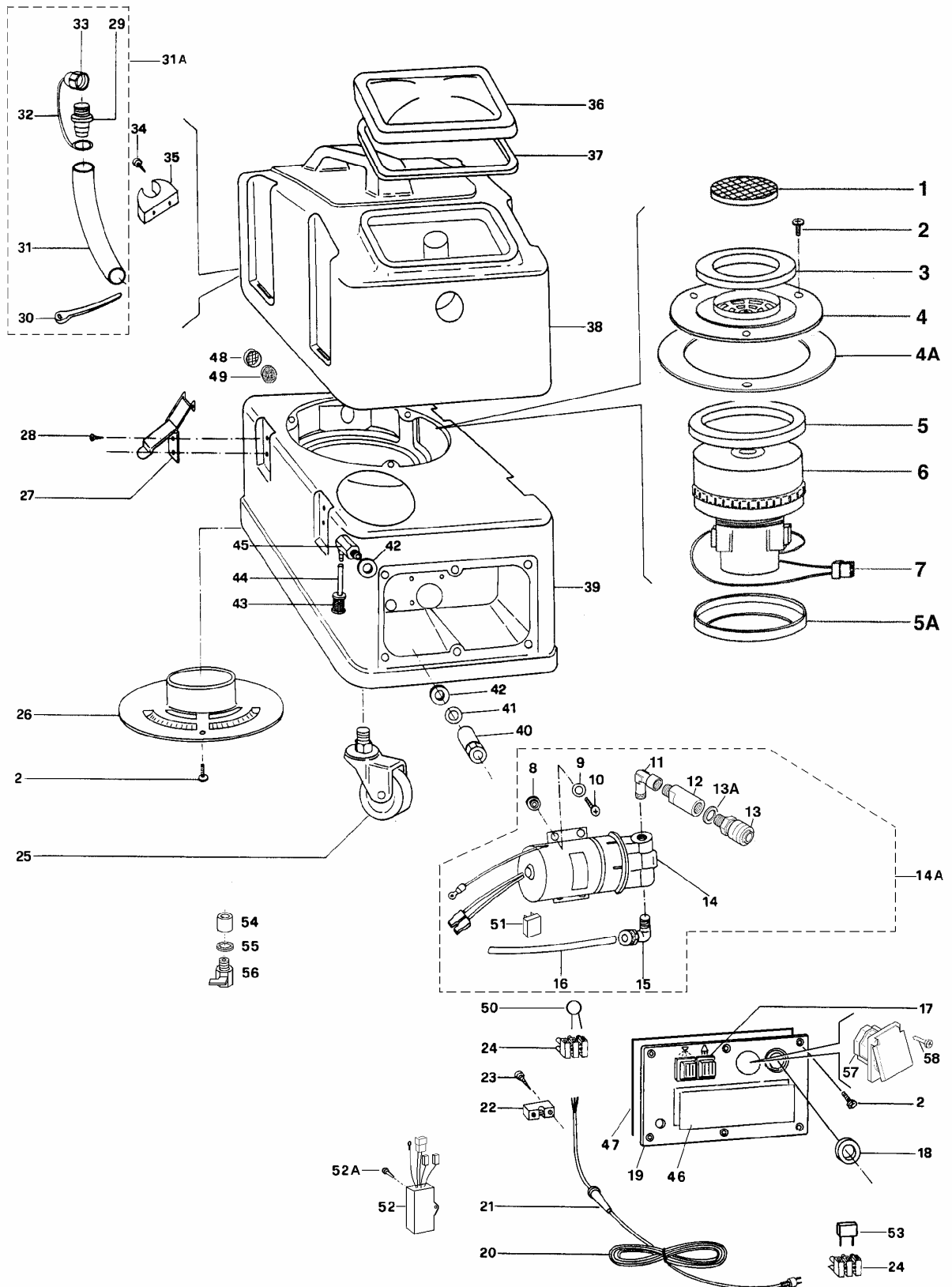


## Sabrina Maxi



**INJECTION-EXTRACTION MACHINE MOD. SABRINA MAXI**
**TABLE 9 1/2**

<b>rif</b>	<b>codice</b>	<b>description</b>
1	146	FILTER
2	536	STAINLESS STEEL SCREW TC+ 4x10
3	135	GASKET
4	136	UPPER FLANGE
4A	1351	GASKET FLANGE/UPPER TANK
5	812	MOTOR GASKET 10mm
5A	811	GASKET 5mm
6	821	MOTOR 1200W 220-240V 50 HZ
	819	MOTOR 1000W 100V 50-60 HZ
	820	MOTOR 1000W 110V 50/60 Hz
7	234	PLASTIC CONNECTOR
	250	MALE FASTON – 6,3mm
8	736	OLD TYPE VIBRATION DAMPING (FLOJET)
	7360	NEW TYPE VIBRATION DAMPING (SHURFLO)
9	517	WASHER 5x15
10	504	SCREW TC+ 5x20 (OLD TYPE : FLOJET)
	546	SCREW TC+ 5x25 (NEW TYPE: SHURFLO)
11	720	ELBOW
12	753	EXTENSION FOR METAL COUPLING
	721	EXTENSION FOR PLASTIC COUPLING
13	687-PE	QUICK DISCONNECT FEMALE – METAL
	728	QUICK DISCONNECT FEMALE - PLASTIC
13A	1371	GASKET FOR COUPLING 687-PE
14	643	PUMP 220-240V 50-60 Hz 100 PSI+ RECTIF.27935
	644	PUMP 100-120V 50-60 Hz 100 PSI (INTERNAL RECTIFIER)
14A	643C-M	PUMP 220-240V 50-60 Hz 100 PSI +RECTIFIER 27935 + METAL COUPLINGS
	643C	PUMP 220-240V 50-60 Hz 100 PSI +RECTIF. .27935 + PLASTIC COUPLINGS
	644C-M	PUMP 100-120V 50-60 Hz 100 PSI + METAL COUPLINGS
	644C	PUMP 100-120V 50-60 Hz 100 PSI + PLASTIC COUPLINGS
15	622	ELBOW
16	746	RILSAN PIPE
17	217	2 POSITIONS SWITCH
18	163	BUSH
19	148	PANEL (WITHOUT HOLE FOR PLUG 2690)
	148M	PANEL (WITH HOLE FOR PLUG 2690)
20	2420	COMPLETE CABLE 3x1,5 10 M. WITH EURO PLUG
21	237	FAIRLEAD
22	238	CABLE LOCK
23	537	SCREW
24	236	CONNECTING TERMINAL
25	115	WHEEL
26	141	LOWER FLANGE
27	142	COUPLER
28	542	SCREW TC+ 4,2x16
29	161	HOSE NIPPLE
30	541	TIE
31	358	DRAIN HOSE
31A	358C	COMPLETE DRAIN HOSE: COD. 161+541+358+162+159

**INJECTION-EXTRACTION MACHINE MOD. SABRINA MAXI**

**TABLE 9**

2/2

<b>rif</b>	<b>codice</b>	<b>description</b>
32	162	TIE
33	159	CAP
34	544	SCREW 4,2x22
35	160	CLIP
36	133	COVER
	133C	COVER WITH GASKET
37	134	GASKET
38	149R	RED UPPER TANK
	149V	GREEN UPPER TANK
	149A	BLUE UPPER TANK
39	150N	BLACK LOWER TANK
	150V	GREEN LOWER TANK
	150A	BLUE LOWER TANK
40	714	QUICK DISCONNECT FEMALE
41	540	BRASS WASHER
42	147	NEOPRENE WASHER
43	608	FILTER
44	734	RILSAN PIPE
45	702	CONNECTING PART COMPLETE
46	156	PANEL LABEL
47	186	PANEL GASKET
48	11638	PLASTIC FILTER
49	2025	FILTER PPI30 D.44
50	8132	VARISTOR FOR PUMP
51	27935	EXTERNAL RECTIFIER FOR SHURFLO PUMP
52	290	PUMP RADIO INTERFERENCE SUPPRESSOR
52A	538	SCREW TC+ 3,9 x 13
53	235	MOTOR RADIO INTERFERENCE SUPPRESSOR
54	7520	CONNECTING PART
55	521	LOCKING WASHER DIAM.12mm.
56	751	DRAIN VALVE
57	2690	ELECTRICAL SOCKET FOR EURO PLUG
58	538	SCREW TC+ 3,9x13