

Kerrick

ECH Series



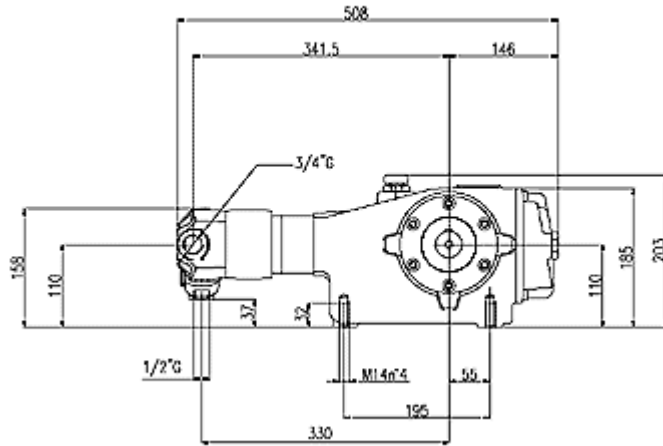
Technical Information

Weight: 80kg

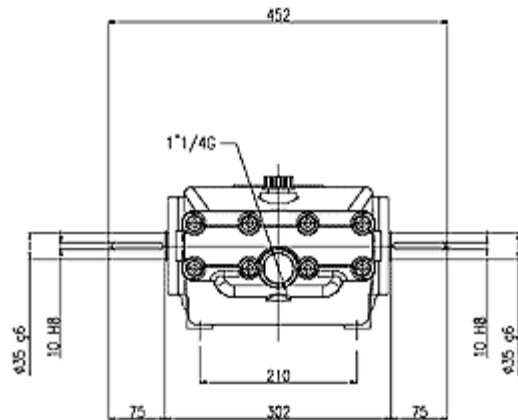
Head: 3bar (43.5psi)

Oil: 4.3 litres

Dimensions



Kerrick



Pump type	r.p.m.	Volume		Pressure		KW	CV HP
		l/min	US GPM	BAR	P.S.I.		
ECH 26/500	1000	26	6.9	500	7250	25.4	35
ECH 38/400	1000	38	10.0	400	5800	29.4	40
ECH 44/320	1000	44	11.6	320	4640	29.4	40
ECH 59/250	1000	59	15.6	250	3625	29.4	40
ECH 64/180	800	64	16.9	180	2610	22.8	31