

Kerrick

G Series



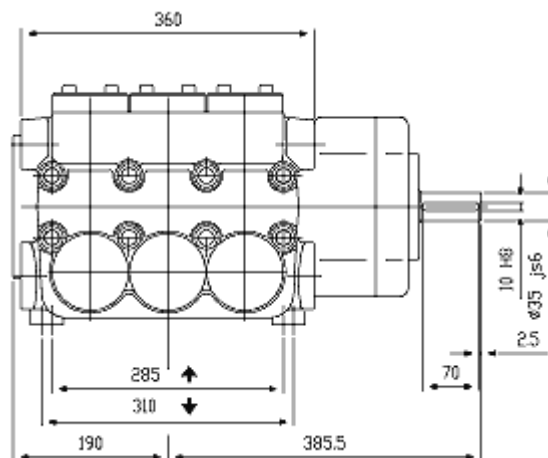
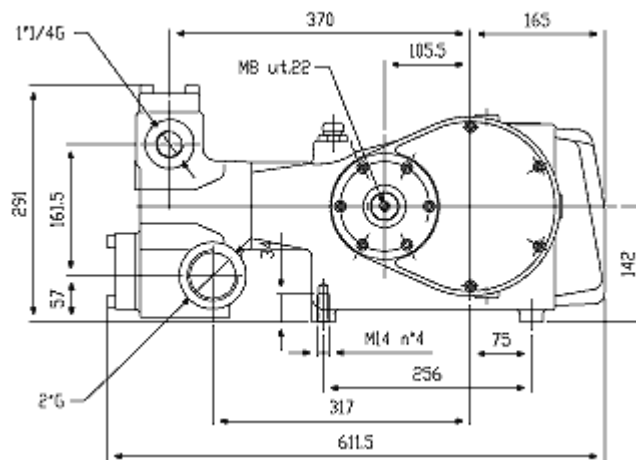
Technical Information

Weight: 80kg

Head: 3bar (43.5psi)

Oil: 4.3 litres

Dimensions



Kerrick

Pump type	Gearbox r.p.m.		r.p.m.	Volume	
	r=2.03	r=2.41		l/min	US GPM
G 108/300	1500	1800	750	108	28.5
G 171/190	1500	1800	750	171	45.2
G 220/145	1500	1800	750	220	58.1
G 267/120	1500	1800	750	267	70.5

Pump type	Pressure		KW	CV HP
	BAR	P.S.I.		
G 108/300	300	4350	62.5	85
G 171/190	190	2755	62.5	85
G 220/145	145	2102	62.5	85
G	120	1740	62.5	85