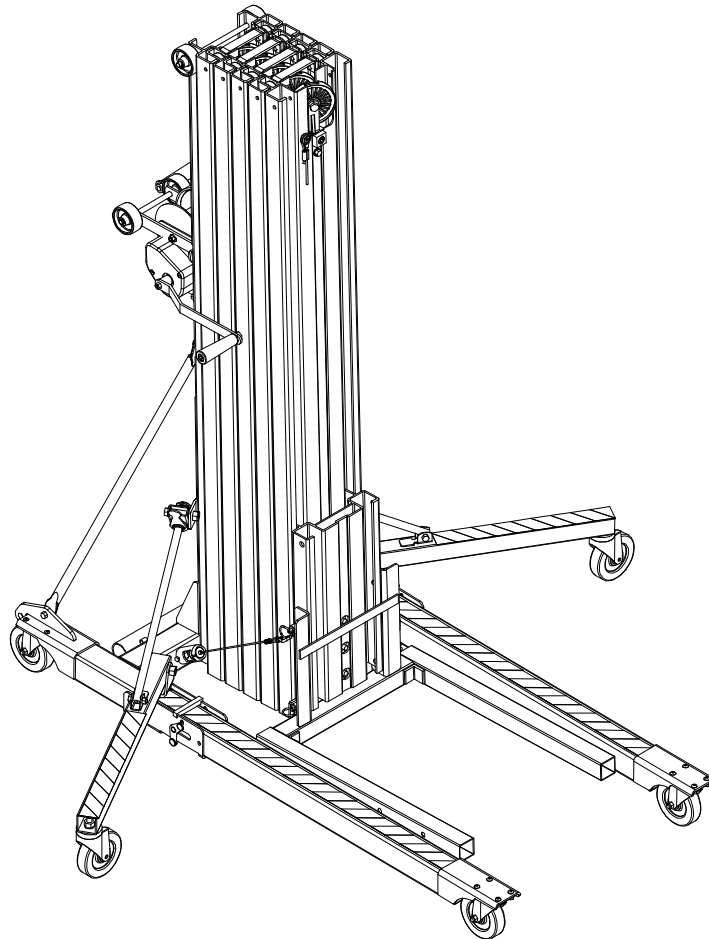
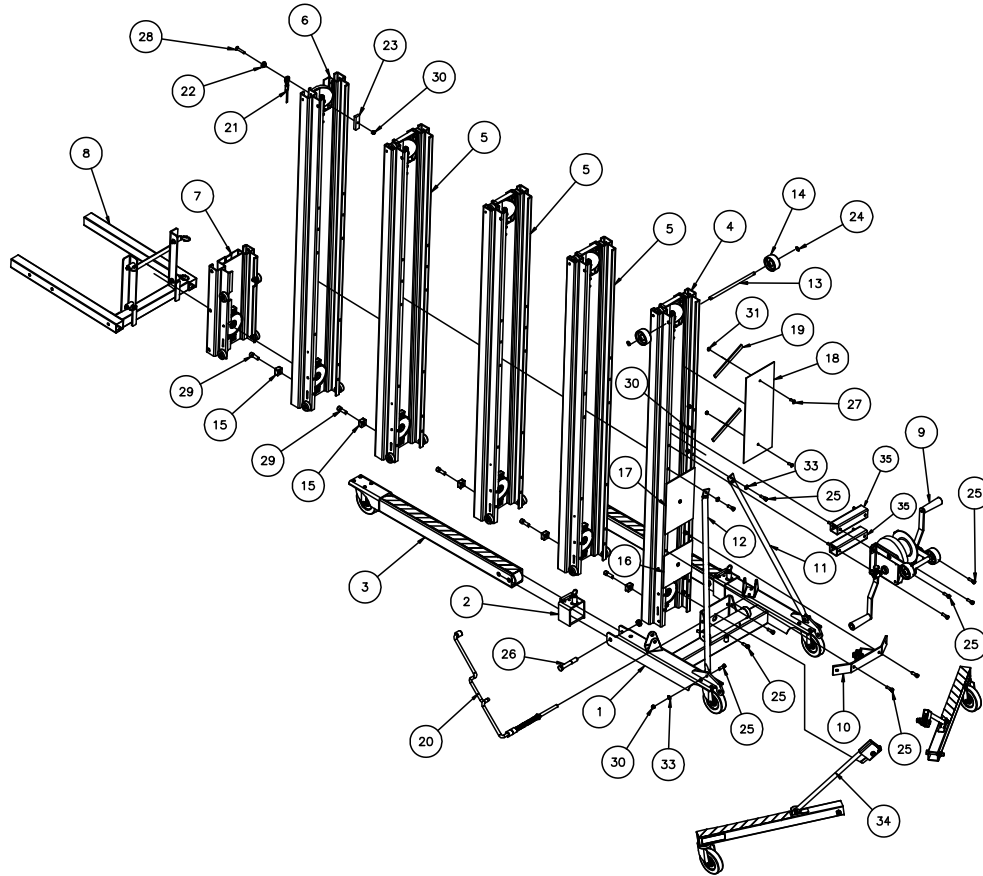

PARTS MANUAL

SERIES 2000 MATERIAL LIFT



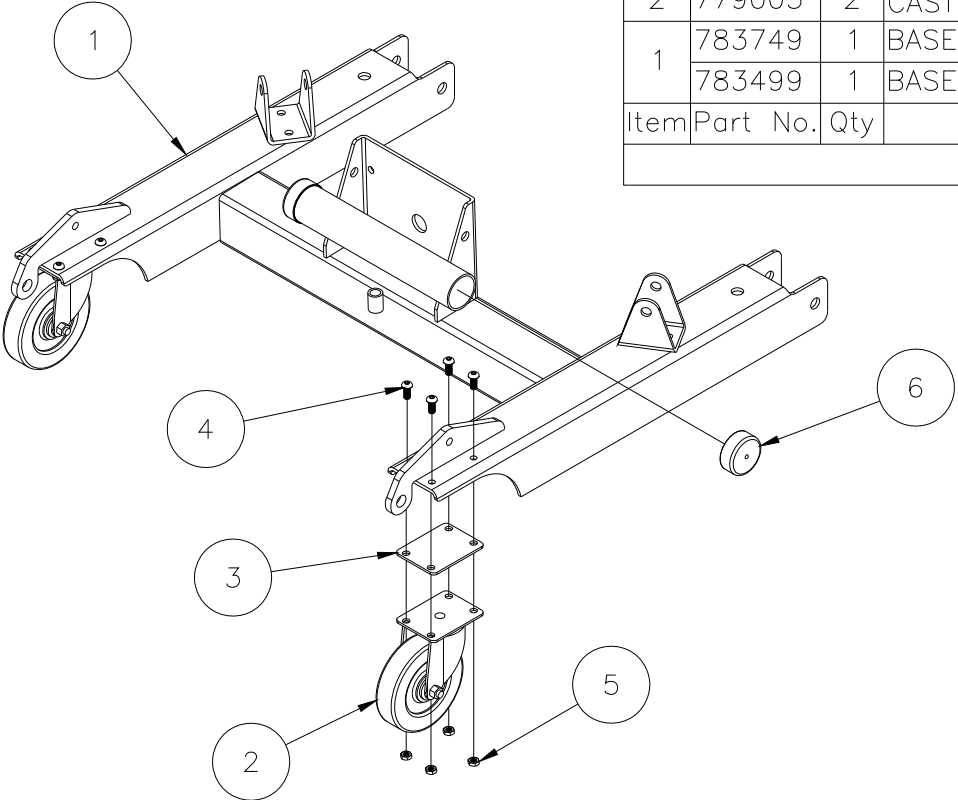
SUMNER®

2010/2015/2020/2025 MATERIAL LIFT ASSEMBLY



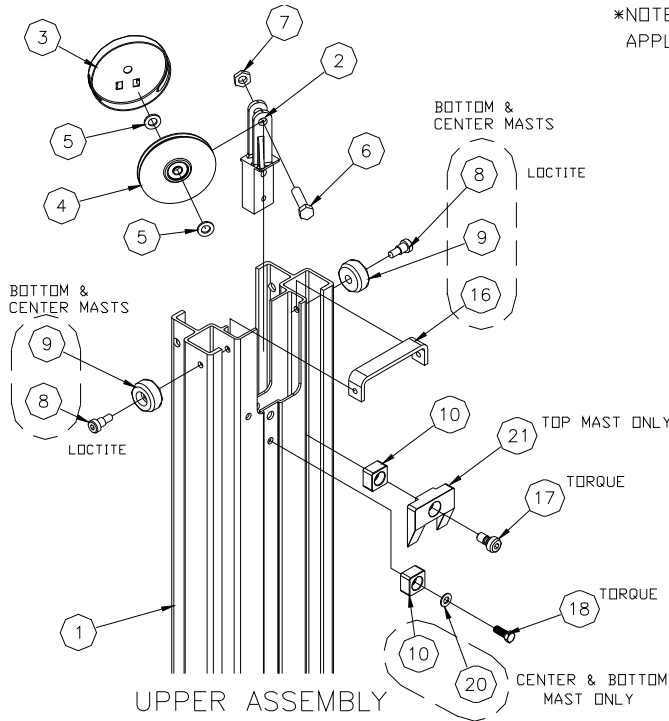
36	778382	1	LABEL KIT, 2000 SERIES LIFT - NOT SHOWN
35	783552	2	STANDOFF (MODEL 2010)
34	783935	1	OUTRIGGER ASSY 2000/2100 NEW (MODEL 2020, 2025)
33	773040	4	WASHER, FLAT 3/8 USS
32	772503	2	NUT, INSERT JAM 5/8-11
31	772502	4	NUT, INSERT JAM 5/16-18
	772355	15	NUT, INSERT LOCK 3/8-16 (MODEL 2015, 2020, 2025)
30	772355	19	NUT, INSERT LOCK 3/8-16 (MODEL 2010)
	771257	5	SCREW, SHC 1/2-13 X 1-1/2 (MODEL 2025)
	771257	4	SCREW, SHC 1/2-13 X 1-1/2 (MODEL 2020)
29	771257	3	SCREW, SHC 1/2-13 X 1-1/2 (MODEL 2015)
	771257	2	SCREW, SHC 1/2-13 X 1-1/2 (MODEL 2010)
28	771248	1	SCREW, FHSC 3/8-16 X 2
27	771239	4	SCREW, BHC 5/16-18 X 7/8
26	771146	2	SCREW, HHC 5/8-11 X 4
25	771060	14	SCREW, HHC 3/8-16 X 1-1/4 (MODEL 2015, 2020, 2025)
	771060	18	SCREW, HHC 3/8-16 X 1-1/4 (MODEL 2010)
24	774053	2	COTTER, CIRCLE Z/P .048 X 3/4
23	783551	1	LOCK BLOCK
22	782910	1	ROPE RET. WASHER 715/720
	783856	1	LOAD LINE ASSY, 2025 LIFT
	783887	1	LOAD LINE ASSY, 2020 LIFT
21	783834	1	LOAD LINE ASSY, 2015 LIFT
	783886	1	LOAD LINE ASSY, 2010 LIFT
20	783040	1	MAST HOLD DOWN ASSY, BAR TYPE
19	783545	4	STRAP
18	783813	1	MAST COVER - TOP, EVENTER
17	783505	1	MAST COVER - MIDDLE
16	783504	1	MAST COVER - BOTTOM
	783575	5	STOP BLOCK (MODEL 2025)
	783575	4	STOP BLOCK (MODEL 2020)
15	783575	3	STOP BLOCK (MODEL 2015)
	783575	2	STOP BLOCK (MODEL 2010)
14	779012	2	WHEEL, POLY OLEFIN 3"
13	783620	1	SHAFT, ROLLER
12	780820	1	BRACE, MAST, RIGHT 2000/2100
11	780819	1	BRACE, MAST, LEFT 2000/2100
10	783582	1	SPREADER PLATE ASSEMBLY
9	783590	1	MX WINCH ASSEMBLY
8	783653	1	FORK ASSEMBLY, 2000/2100
7	783533	1	CARRIAGE ASSEMBLY
6	783826	1	TOP MAST ASSY - HD
	783825	3	CTR MAST ASSY - HD (MODEL 2025)
	783825	2	CTR MAST ASSY - HD (MODEL 2020)
5	783825	1	CTR MAST ASSY - HD (MODEL 2015)
	783824	1	BTM MAST ASSY - HD
4	783739	2	FRONT LEG ASSY 18/20/24/25
3	783730	2	FRONT LEG ASSY 10/12/15
2	783746	2	LEG LOCK ASSEMBLY, 2100 SERIES
1	783750	1	BASE ASSEMBLY, 2100 SERIES
Item/Part No.	Qty	Description	
Parts List			

783750 - BASE ASSEMBLY



6	779905	2	CAP, 2" OD TUBE, BLACK
5	772502	8	NUT, INSERT JAM 5/16-18
4	771239	8	SCREW, BHC 5/16-18 X 3/4
3	773098	2	SPACER 2-3/4 X 3-3/4 X 1/8 THK.
2	779005	2	CASTER 5" PLATE SWIVEL (RED)
1	783749	1	BASE WELDMENT, 2100 SERIES
	783499	1	BASE WELDMENT, 2100 SERIES GALV.
Item	Part No.	Qty	Description
Parts List			

UPPER AND LOWER MAST ASSEMBLIES



*NOTE: TORQUE ITEM 11 TO 125 FT-LBS
APPLY LOCTITE 242 WHERE SHOWN

APPLICATION CHART

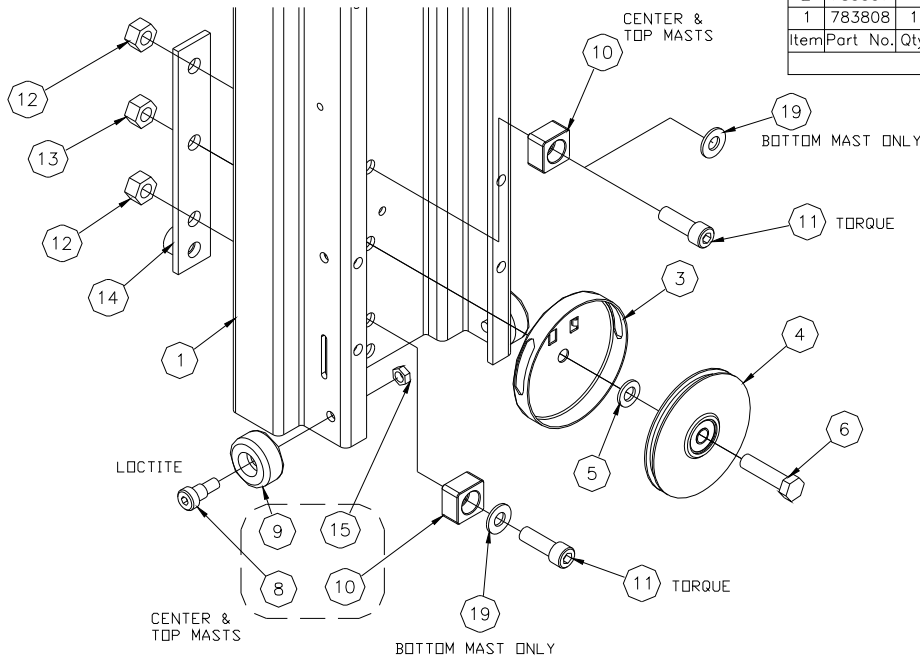
ITEM	TOP MAST	CENTER MAST	BOTTOM MAST
21	QTY. 1	QTY. 0	QTY. 0
20	QTY. 0	QTY. 1	QTY. 1
19	QTY. 0	QTY. 0	QTY. 2
16	QTY. 0	QTY. 1	QTY. 1
15	QTY. 2	QTY. 2	QTY. 0
10	QTY. 2	QTY. 4	QTY. 2
9	QTY. 2	QTY. 4	QTY. 2
8	QTY. 2	QTY. 4	QTY. 2

*SEE APPLICATION CHART

21	783694	*	STOP BLOCK WEDGE
20	773022	*	WASHER, FLAT 3/8 HARDENED
19	773060	*	FLAT WASHER 1/2
18	771107	1	SCREW, HHC 3/8-16 X 1
17	771258	1	SCREW, SHC 1/2-13 X 1
16	783649	*	TOP REINFORCEMENT BRACKET
15	772350	*	INSERT JAM LOCK NUT 3/8UNC
14	783503	1	BACKING PLATE WELDMENT
13	772800	1	INSERT LOCK NUT 12mm
12	772357	2	INSERT LOCK NUT 1/2UNC
11	771257	2	SHCS 1/2UNC X 1-1/2
10	783575	*	MAST STOP BLOCK
9	783540	*	MAST ROLLER
8	771350	*	SHOULDER BOLT 1/2 x 1/2
7	772505	1	JAM LOCK NUT 12mm
6	771161	2	HEX HEAD BOLT 12mm X 40mm
5	773096	3	WASHER, FLAT M12
4	783812	2	PULLEY ASSEMBLY
3	783536	2	PULLEY GUARD
2	783537	1	PULLEY MOUNT
1	783808	1	MAST
Item/Part No.	Qty	Description	
Parts List			

UPPER ASSEMBLY

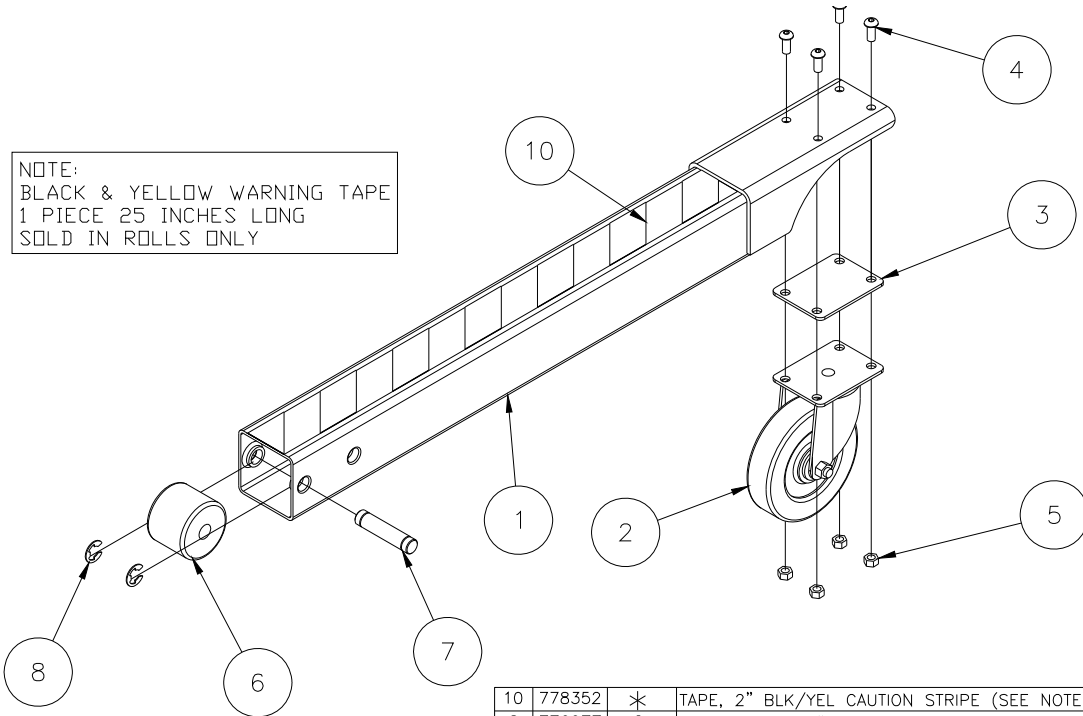
LOWER ASSEMBLY



CENTER & TOP MASTS

BOTTOM MAST ONLY

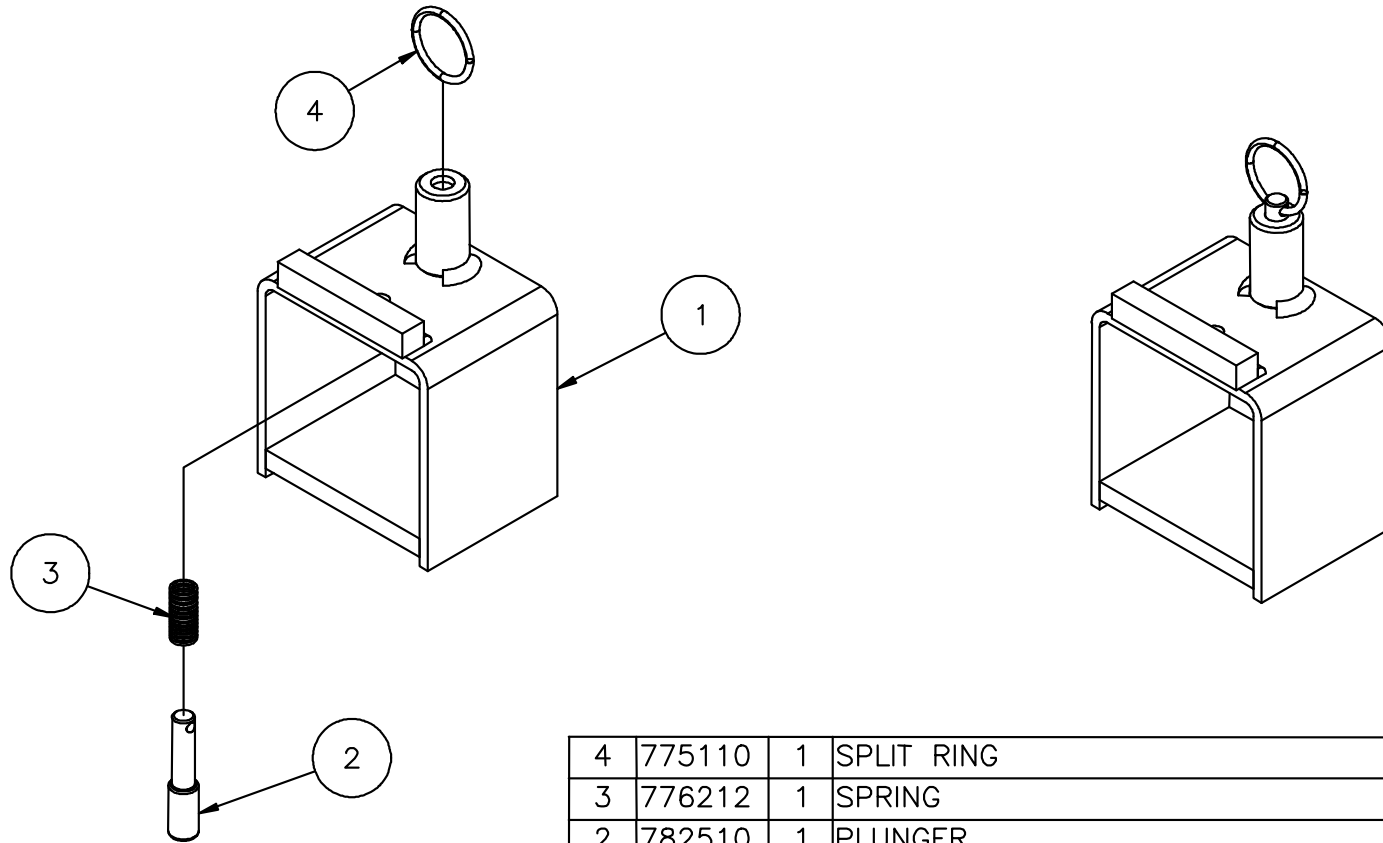
783730/783739 - FRONT LEG ASSEMBLY



NOTE:
BLACK & YELLOW WARNING TAPE
1 PIECE 25 INCHES LONG
SOLD IN ROLLS ONLY

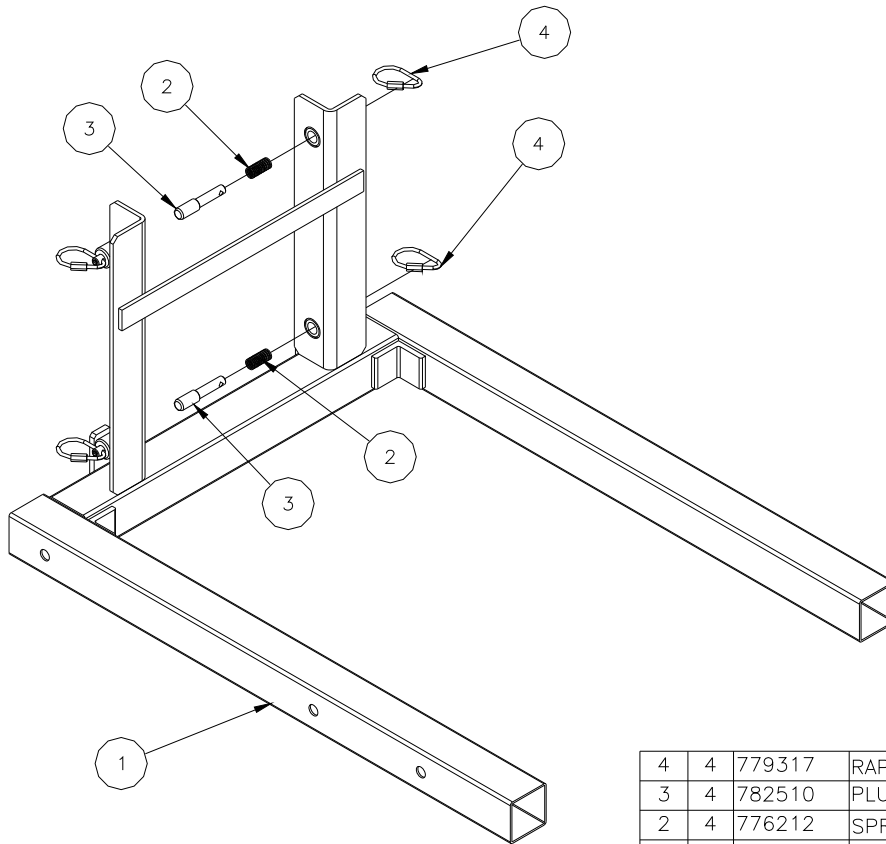
10	778352	*	TAPE, 2" BLK/YEL CAUTION STRIPE (SEE NOTE)	*
8	776077	2	RETAINER RING #5133-62	
7	783644	1	SHAFT, LEG ROLLER	
6	783569	1	ROLLER, LEG	
5	772502	4	NUT, INSERT JAM 5/16-18	
4	771239	4	SCREW, BHC 5/16-18 X 3/4	
3	783098	1	SPACER, CASTER PLATE	
2	779005	1	CASTER 5" PLATE SWIVEL (RED)	
1	783497	1	FRONT LEG WELDMENT 2020/2025/2118/2124 GALV.	
	783738	1	FRONT LEG WELDMENT 2020/2025/2118/2124	
	783498	1	FRONT LEG WELDMENT 2010/2015/2112 GALV.	
	783732	1	FRONT LEG WELDMENT 2010/2015/2112	
Item	Part No.	Qty	Description	
Parts List				

783746 - LEG LOCK ASSEMBLY



4	775110	1	SPLIT RING
3	776212	1	SPRING
2	782510	1	PLUNGER
1	783740	1	LEG LOCK WELDMENT
Item	Part No.	Qty	Description
Parts List			

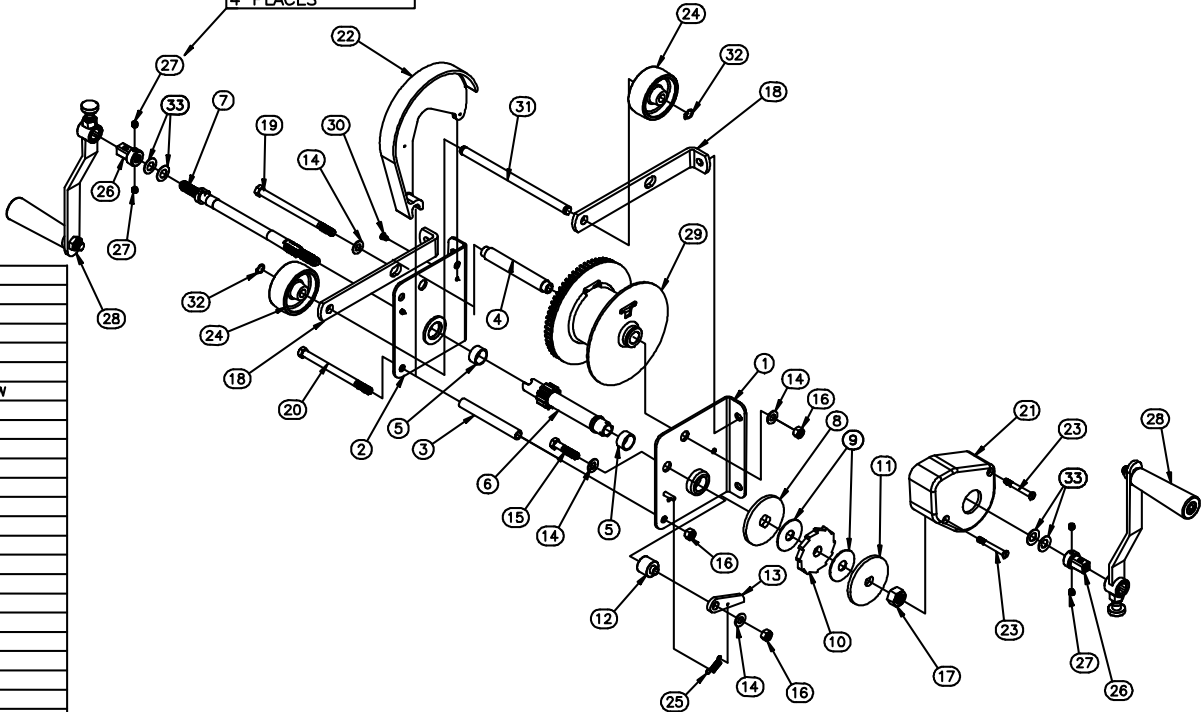
783653 - STANDARD FORK ASSEMBLY



4	4	779317	RAPID LINK, PEAR SHAPED 1/8"
3	4	782510	PLUNGER
2	4	776212	SPRING, #C0480-042-1250-M
1	1	783496	FORK WELDMENT GALVANIZED
	1	783547	FORK WELDMENT
Item	Qty	PART #	DESCRIPTION
Parts List			

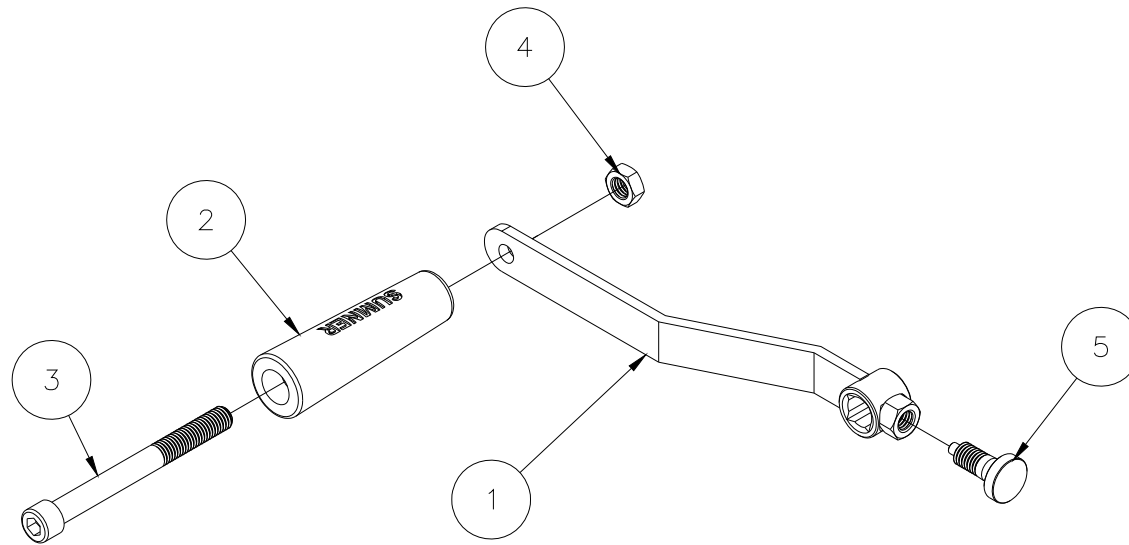
783590 - MX WINCH ASSEMBLY

NOTE:
LOCTITE ITEM # 27
4 PLACES



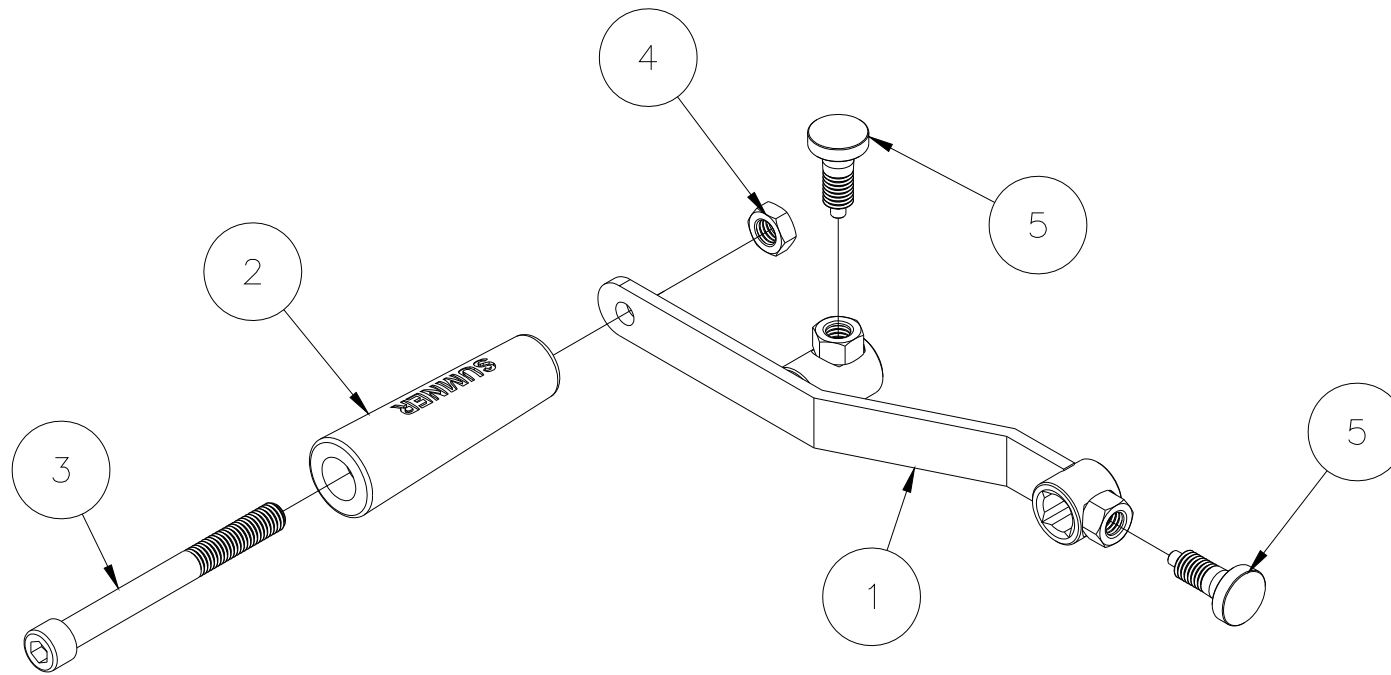
33	773085	4	BELLVILLE SPRING WASHER
32	776072	2	RETAINER 5100-50
31	782619	1	ROLLER SHAFT
30	771800	2	PHSM #10 x 1/2
29	783613	1	DRUM ASSEMBLY
28	783757	2	HANDLE ASSEMBLY
27	771431	4	1/4-20 x 5/16 SET SCREW
26	784284	2	WINCH HANDLE ADAPTER
25	783621	1	RATCHET DOG SPRING
24	779012	2	ROLLER - 3"
23	771290	2	FHMS 1/4-20 x 2-1/4
22	782611	1	COVER - GEAR
21	783612	1	COVER - BRAKE
20	771111	1	HHCS 3/8-16 x 5-1/2
19	771105	1	HHCS 3/8-16 x 6
18	783609	2	SUPPORT ARM
17	772375	1	5/8-18 INSERT LOCKNUT
16	772355	3	3/8-16 INSERT LOCKNUT
15	771100	1	HHCS 3/8-16 x 1-3/4
14	773040	4	WASHER FL 3/8
13	780216	1	RATCHET DOG
12	783598	1	SPACER
11	780212	1	PLATE - OUTER
10	780214	1	RATCHET WHEEL
9	783615	2	BRAKE DISC
8	780211	1	PLATE - INNER
7	783754	1	DRIVE SHAFT
6	780205	1	PINION SHAFT
5	775092	2	BUSHING
4	783606	1	DRUM SPACER SHAFT
3	783599	1	SPACER
2	783593	1	SIDE PLATE WELDMENT - LH
1	783596	1	SIDE PLATE WELDMENT - RH
Item	Part No.	Qty	Description
Parts List			

783757 - STANDARD WINCH HANDLE - MX WINCH



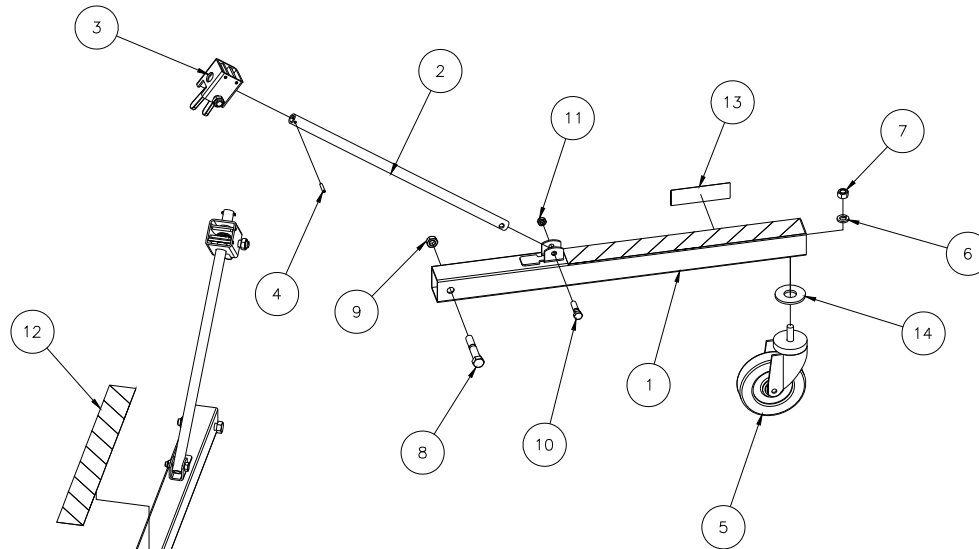
5	774180	1	PLUNGER ASSEMBLY
4	772358	1	1/2-13 INSERT JAM LOCK NUT
3	771254	1	SHCS 1/2-13 x 5
2	780182	1	WINCH HANDLE SLEEVE
1	783756	1	HANDLE WELDMENT
Item	Part No.	Qty	Description
Parts List			

783759 - TWO-SPEED WINCH HANDLE



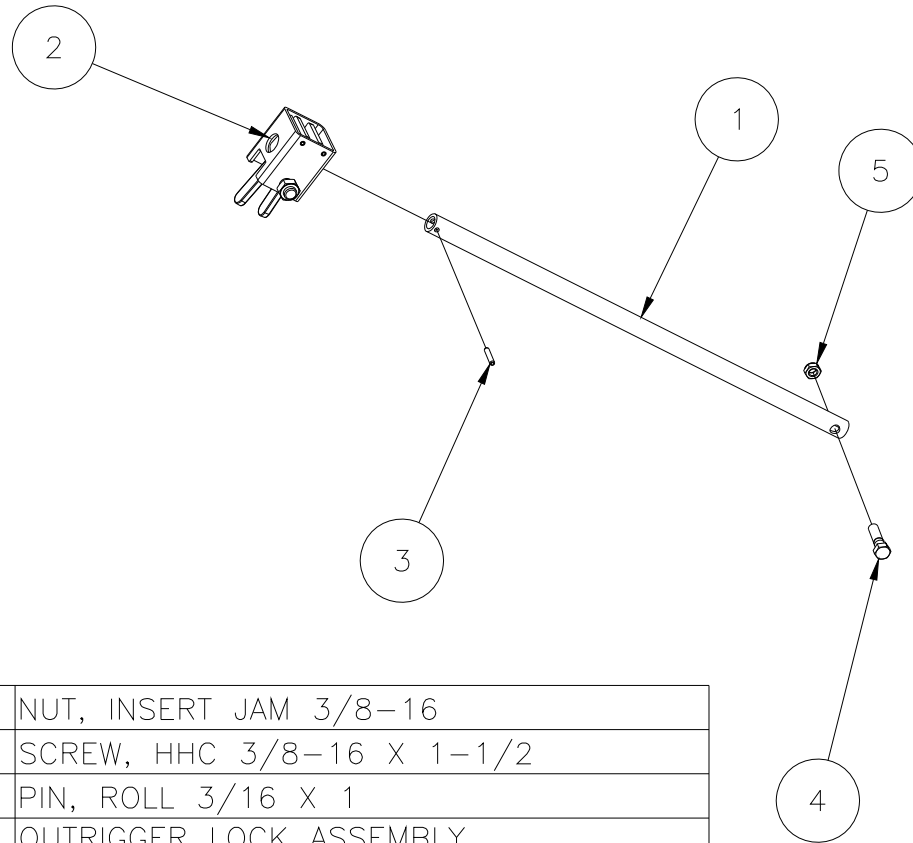
5	774180	2	PLUNGER ASSEMBLY
4	772358	1	1/2-13 INSERT JAM LOCK NUT
3	771253	1	SHCS 1/2-13 x 5
2	780182	1	WINCH HANDLE SLEEVE
1	783758	1	2 SPEED HANDLE WELDMENT
Item	Part No.	Qty	Description
Parts List			

783935 - OUTRIGGER ASSEMBLY - OPTIONAL



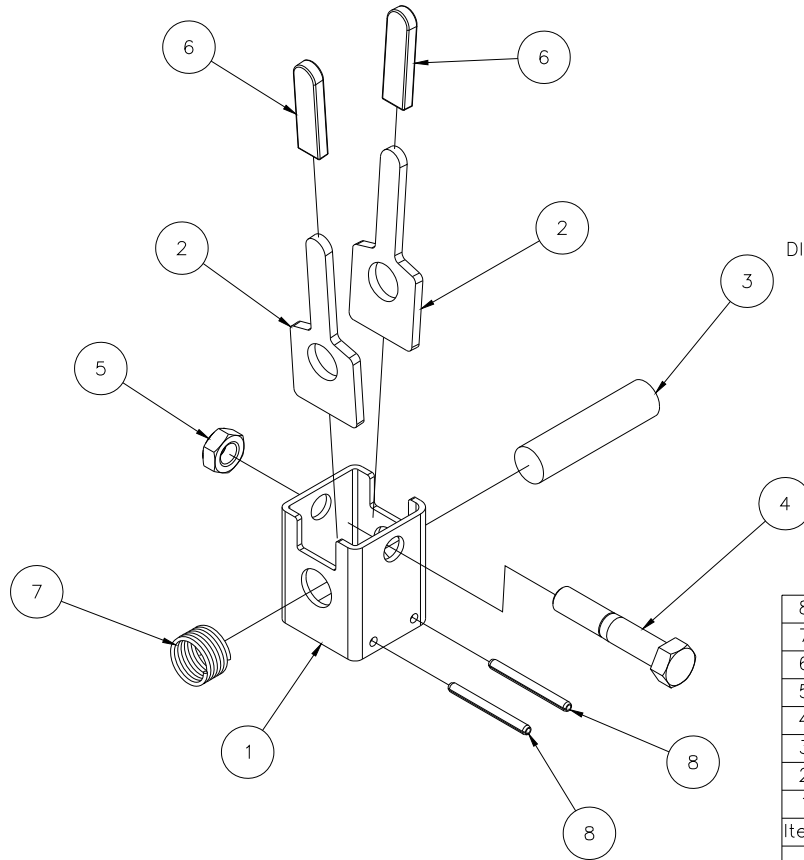
14	773091	2	WASHER, FLAT 7/8" USS PLT'D.
13	778348	2	LABEL, LOWER STAB'LZR LEGS
12	778352	2	TAPE, 2" B/Y CAUTION STRIPE
11	772350	2	NUT, INSERT JAM 3/8-16
10	771090	2	SCREW, HHC 3/8-16 X 1-1/2
9	772358	2	NUT, INSERT JAM 1/2-13
8	771142	2	SCREW, HHC 1/2-13 X 3
7	772801	2	NUT, HEX 12MM PLT'D.
6	773590	2	WASHER, LOCK 1/2"
5	779002	2	CASTER, 125 X 32 12MM STEM
4	774080	2	PIN, ROLL 3/16 X 1
3	783940	2	OUTRIGGER LOCK ASSEMBLY
2	783943	2	OUTRIGGER SUPPORT TUBE
1	783528	2	LEG WELDMENT, OUTRIGGER
Item	Part No.	Qty	Description
Parts List			

783945 - OUTRIGGER LOCK KIT, 2000/2100



5	772350	1	NUT, INSERT JAM 3/8-16
4	771090	1	SCREW, HHC 3/8-16 X 1-1/2
3	774080	1	PIN, ROLL 3/16 X 1
2	783940	1	OUTRIGGER LOCK ASSEMBLY
1	783943	1	OUTRIGGER SUPPORT TUBE
Item	Part No.	Qty	Description
Parts List			

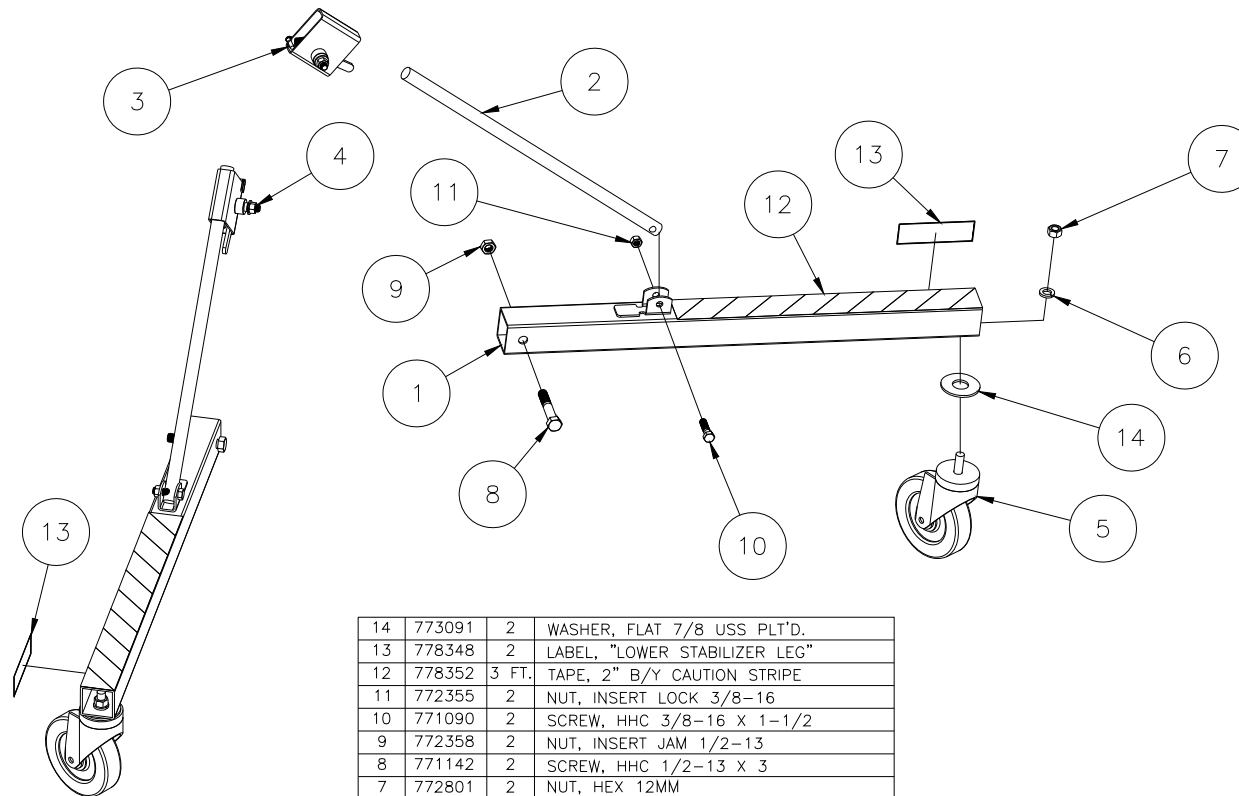
783940 - OUTRIGGER LOCKS



DISCARD ITEM #3 ONCE THE OUTRIGGER LOCK ASSEMBLY IS IN PLACE ON THE OUTRIGGER SUPPORT TUBE

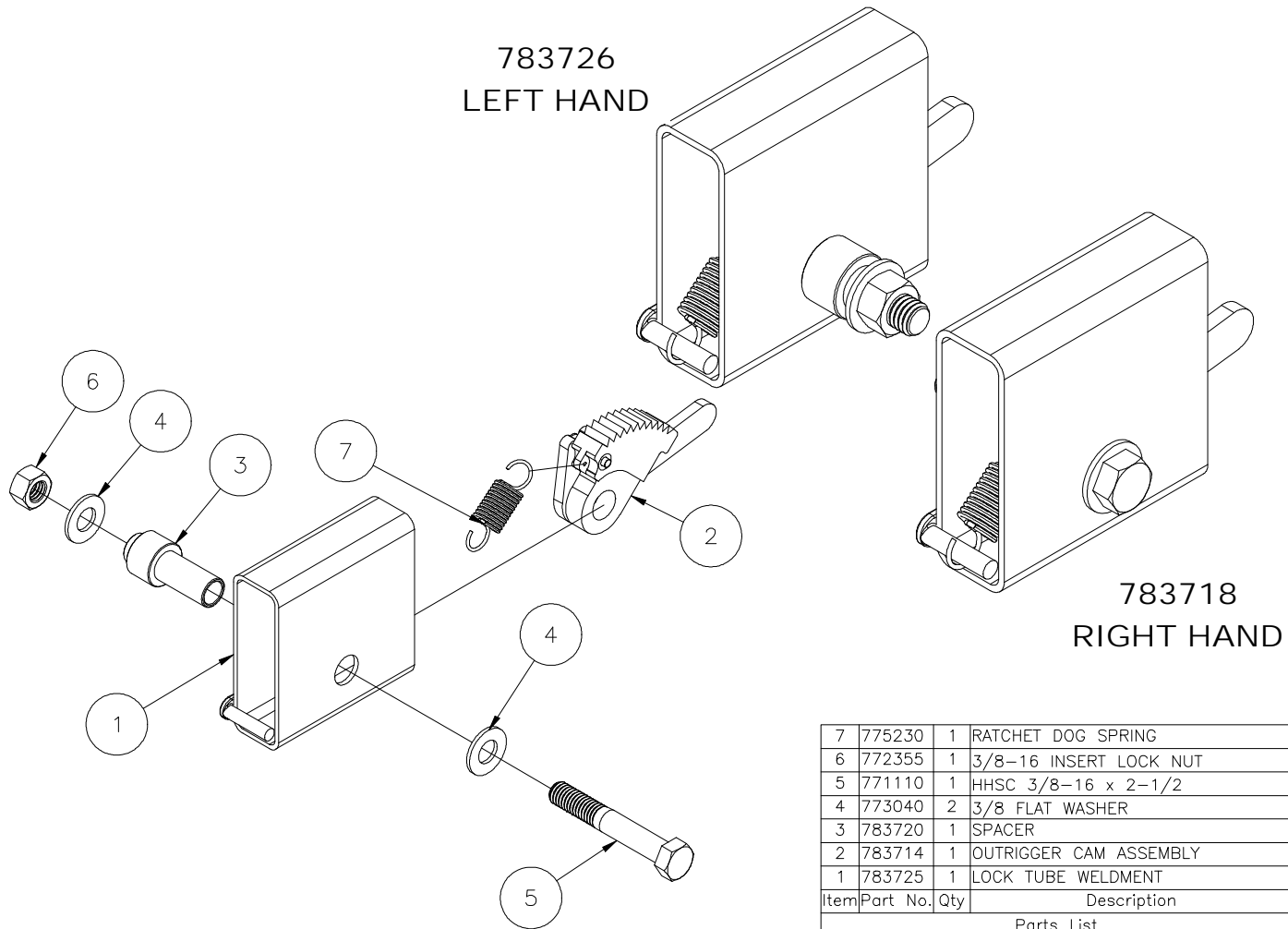
8	774084	2	PIN, ROLL 3/16 X 2
7	776221	1	SPRING, CENTURY #2952
6	779938	2	CAP, RECT RD END 3/16 X 1/2 X 2
5	772358	1	NUT, INSERT JAM 1/2-13
4	771141	1	SCREW, HHC 1/2-13 X 2-3/4
3	783944	1	OUTRIGGER SUPPORT TUBE STUB
2	783942	2	OUTRIGGER LOCK FINGER
1	783941	1	OUTRIGGER LOCK TUBE
Item	Part No.	Qty	Description
Parts List			

783679 - OUTRIGGER ASSEMBLY - OPTIONAL (OBSOLETE)



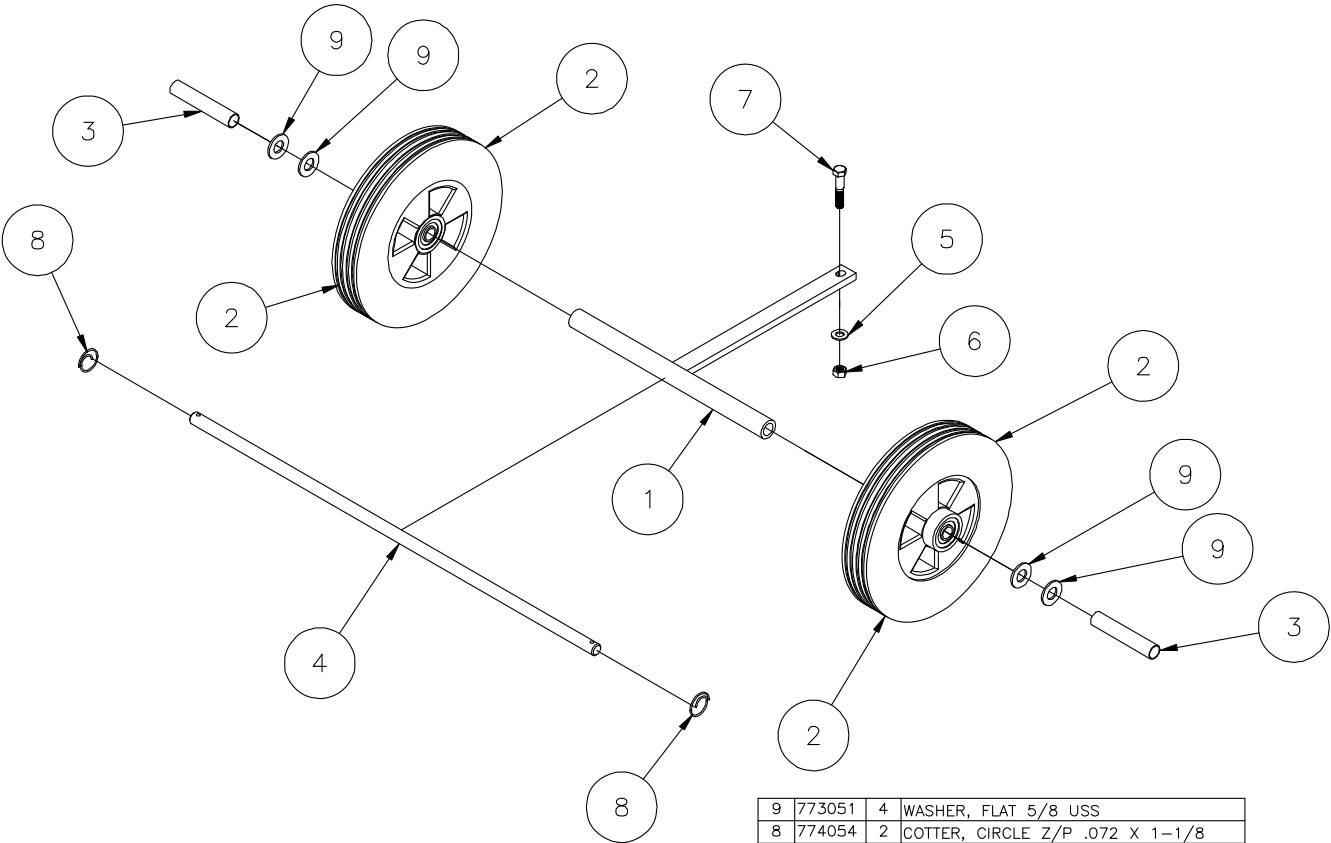
14	773091	2	WASHER, FLAT 7/8 USS PLT'D.
13	778348	2	LABEL, "LOWER STABILIZER LEG"
12	778352	3 FT.	TAPE, 2" B/Y CAUTION STRIPE
11	772355	2	NUT, INSERT LOCK 3/8-16
10	771090	2	SCREW, HHC 3/8-16 X 1-1/2
9	772358	2	NUT, INSERT JAM 1/2-13
8	771142	2	SCREW, HHC 1/2-13 X 3
7	772801	2	NUT, HEX 12MM
6	773590	2	WASHER, LOCK 1/2
5	779002	2	CASTER, 125 X 32 12MM STEM
4	783726	1	OUTRIGGER LOCK ASSEMBLY, LEFT
3	783718	1	OUTRIGGER LOCK ASSEMBLY, RIGHT
2	783717	2	OUTRIGGER SUPPORT BAR
1	783495	2	LEG WELDMNT, OUTRIGGER GALVANIZED
	783528	2	LEG WELDMNT, OUTRIGGER
ITEM	P/N	QTY	DESCRIPTION
PARTS LIST			

783718/783726 - OUTRIGGER LOCKS (OBSOLETE)



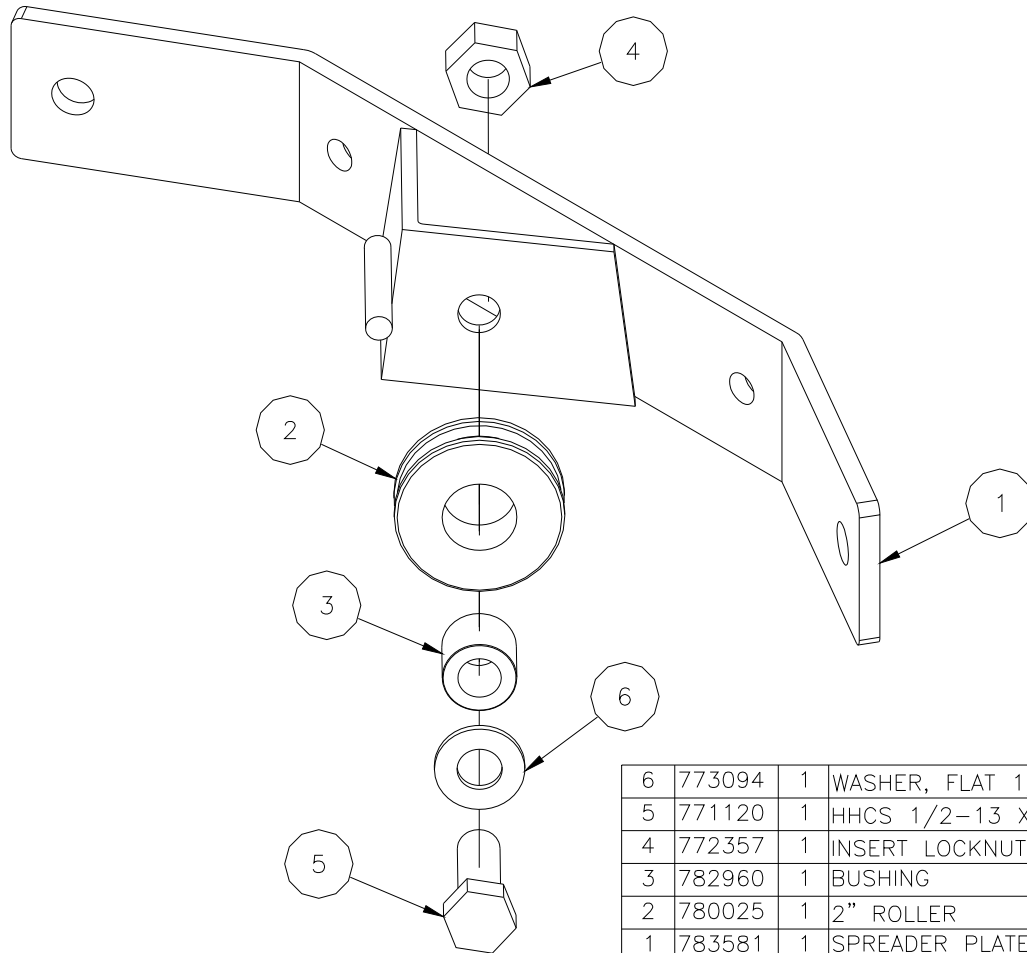
7	775230	1	RATCHET DOG SPRING
6	772355	1	3/8-16 INSERT LOCK NUT
5	771110	1	HHSC 3/8-16 x 2-1/2
4	773040	2	3/8 FLAT WASHER
3	783720	1	SPACER
2	783714	1	OUTRIGGER CAM ASSEMBLY
1	783725	1	LOCK TUBE WELDMENT
Item	Part No.	Qty	Description
Parts List			

783736 - 10" WHEEL KIT - OPTIONAL



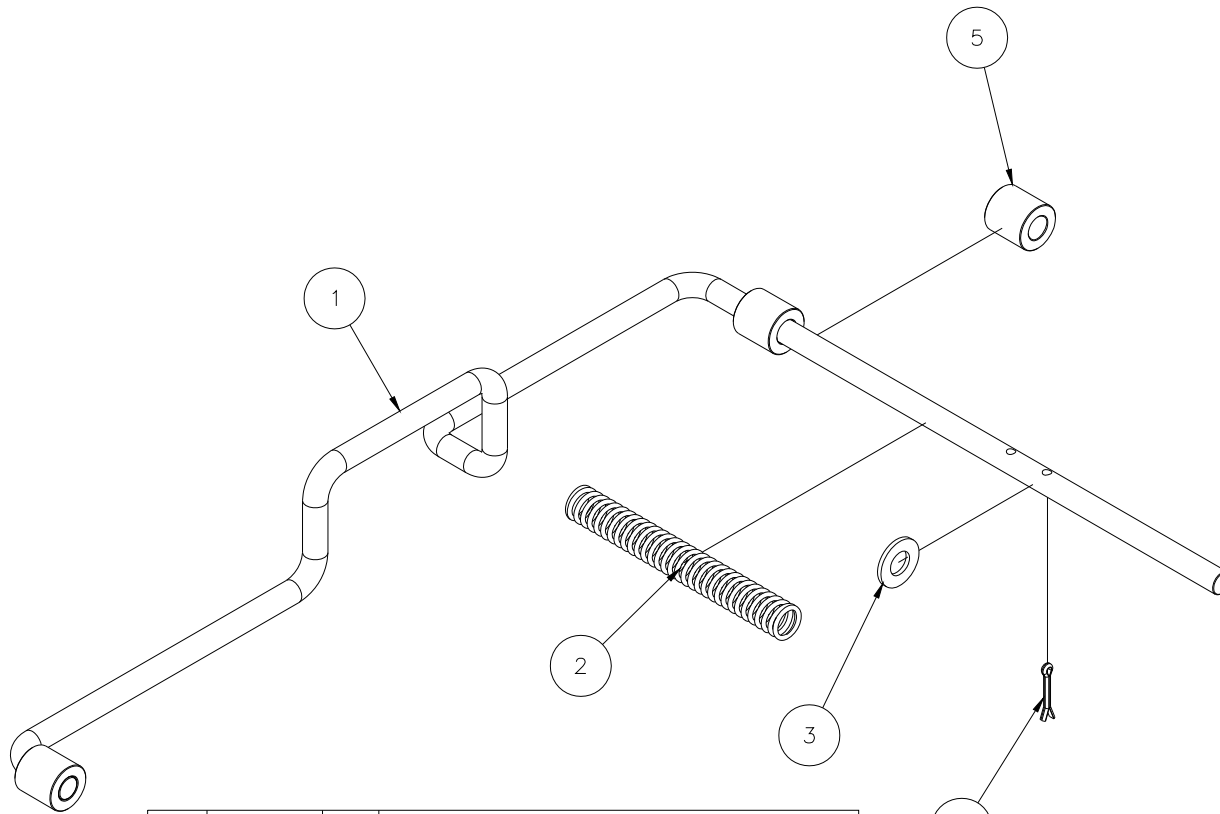
9	773051	4	WASHER, FLAT 5/8 USS
8	774054	2	COTTER, CIRCLE Z/P .072 X 1-1/8
7	771112	1	SCREW, HHC 3/8-16 x 2
6	772355	1	NUT, INSERT LOCK 3/8-16
5	773040	1	WASHER, FLAT 3/8 USS
4	782544	1	AXLE, MODEL 209
3	774039	2	SPACER, BUTTITE 5/8 X 4
2	779011	2	WHEEL, 10" RUBBER TIRE
1	783735	1	AXLE SUPPORT WELDMENT, 2100 SERIES
Item	Part No.	Qty	Description
Parts List			

783582 - SPREADER PLATE ASSEMBLY



6	773094	1	WASHER, FLAT 1/2
5	771120	1	HHCS 1/2-13 X 1-1/2
4	772357	1	INSERT LOCKNUT 1/2-13
3	782960	1	BUSHING
2	780025	1	2" ROLLER
1	783581	1	SPREADER PLATE WELDMENT
Item	Part No.	Qty	Description
Parts List			

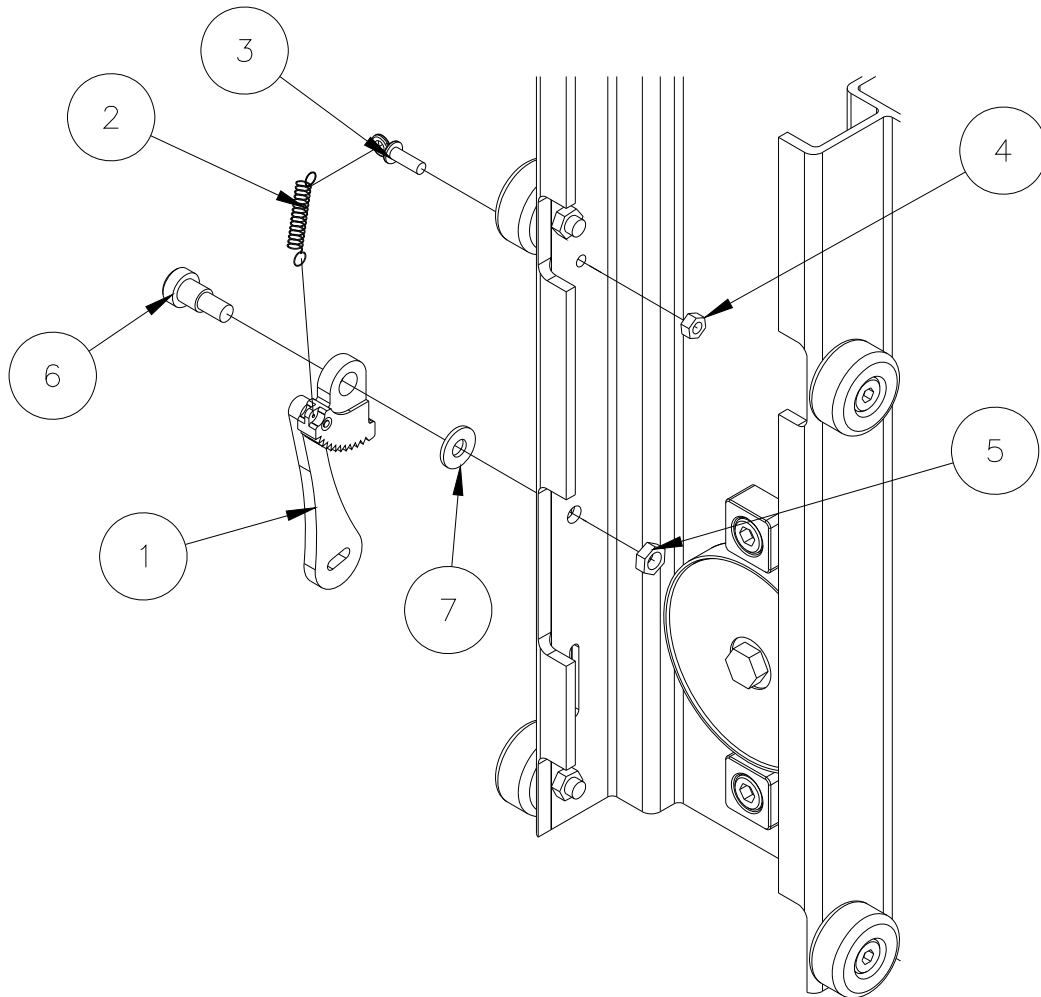
783040 - MAST HOLD DOWN ASSEMBLY, BAR TYPE



5	783045	1	MAST HOLD DOWN SPACER PLTD.
4	774051	1	PIN, COTTER 1/8 X 3/4
3	773094	1	WASHER, FLAT 1/2 SAE
2	776218	1	SPRING 3/4 OD X 7-1/2 LG.
1	783041	1	MAST HOLD DOWN WELDMENT
Item	Part No.	Qty	Description
Parts List			

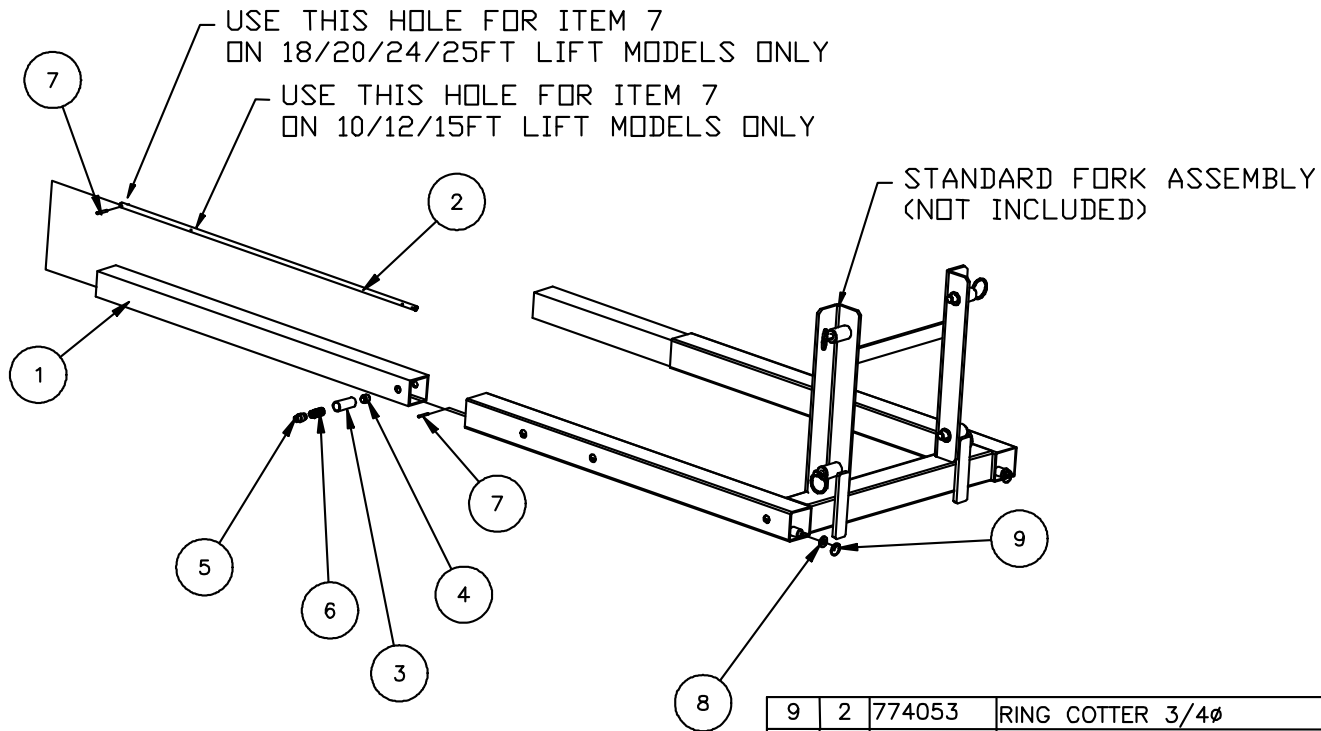
783881 - BRAKE INSTALLATION - OPTIONAL

NOTE: WHEN ORDERING BRAKES, YOU MUST SPECIFY LIFT MODEL NUMBER



7	773042	1	5/16 FLAT WASHER
6	771350	1	SHOULDER BOLT 1/2 X 1/2
5	772350	1	INSERT JAM LOCKNUT 3/8-16
4	772076	1	INSERT LOCKNUT 1/4-20
3	779900	1	ADJUSTING SCREW
2	783530	1	EXTENSION SPRING
1	783529	1	BRAKE CAM & WEIGHT ASSEMBLY
Item	Part No.	Qty	Description
Parts List			

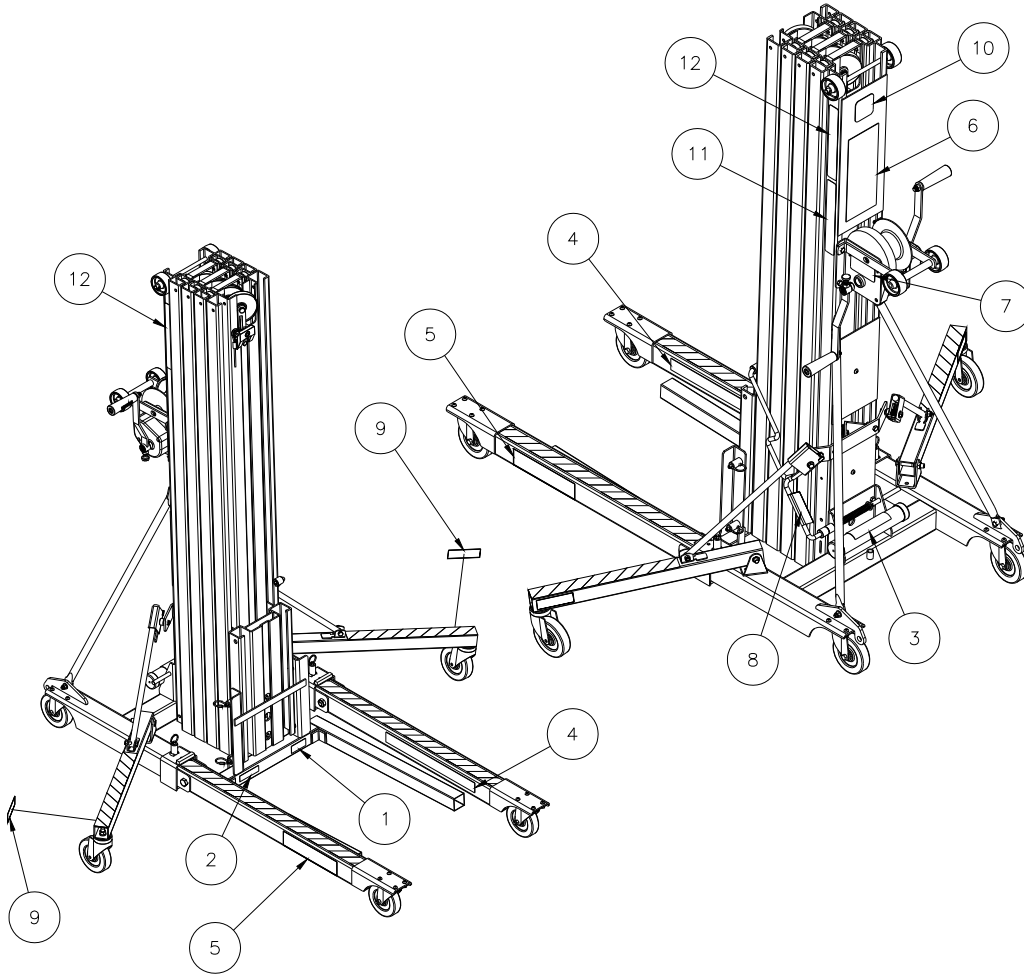
783691 - FORK EXTENSION KIT ASSEMBLY



NOTE CORRECT POSITION FOR ROLLPIN IN LIMIT ROD FOR EACH MODEL. USING THE OUTSIDE HOLE FOR 10-15FT MODELS MAY CAUSE AN UNSTABLE CONDITION WITH A LARGE LOAD. USE OF FORK EXTENSIONS REDUCES THE RATED CAPACITY TO 200 POUNDS AT THE END. REFER TO OWNERS MANUAL.

9	2	774053	RING COTTER 3/4 ϕ
8	2	773042	WASHER 5/16
7	4	774092	ROLL PIN
6	2	776212	SPRING
5	2	783509	LOCK PIN
4	2	783508	PIN
3	2	774035	SPACER
2	2	783589	LIMIT ROD
1	2	783588	EXTENSION TUBE
Item	Qty	PART #	DESCRIPTION
Parts List			

COMMON LABEL PLACEMENT



12	778368	2	LABEL, MODEL 2025
12	778367	2	LABEL, MODEL 2020
12	778366	2	LABEL, MODEL 2015
12	778365	2	LABEL, MODEL 2010
11	778369	1	LABEL, CE AND SERIAL NUMBER
10	778920	1	LABEL, CAUTION CARRIAGE LATCH
9	778348	2	LABEL, LOWER STABILIZER LEG
8	778461	1	LABEL, MAST HOLD DOWN BAR TYPE
7	778346	1	LABEL, WINCH RAISE/LOWER
6	778350	1	LABEL, GENERAL WARNINGS LARGE
5	778342	2	LABEL, SUMNER
4	778850	2	LABEL, DO NOT STAND UNDER LOAD
3	778906	1	LABEL, READ OPERATING INSTRUCTIONS
2	778339	1	LABEL, CARRIAGE LATCH WARNING
1	778347	1	LABEL, NO RIDER WARNING
Item	Part No.	Qty	Description
Parts List			