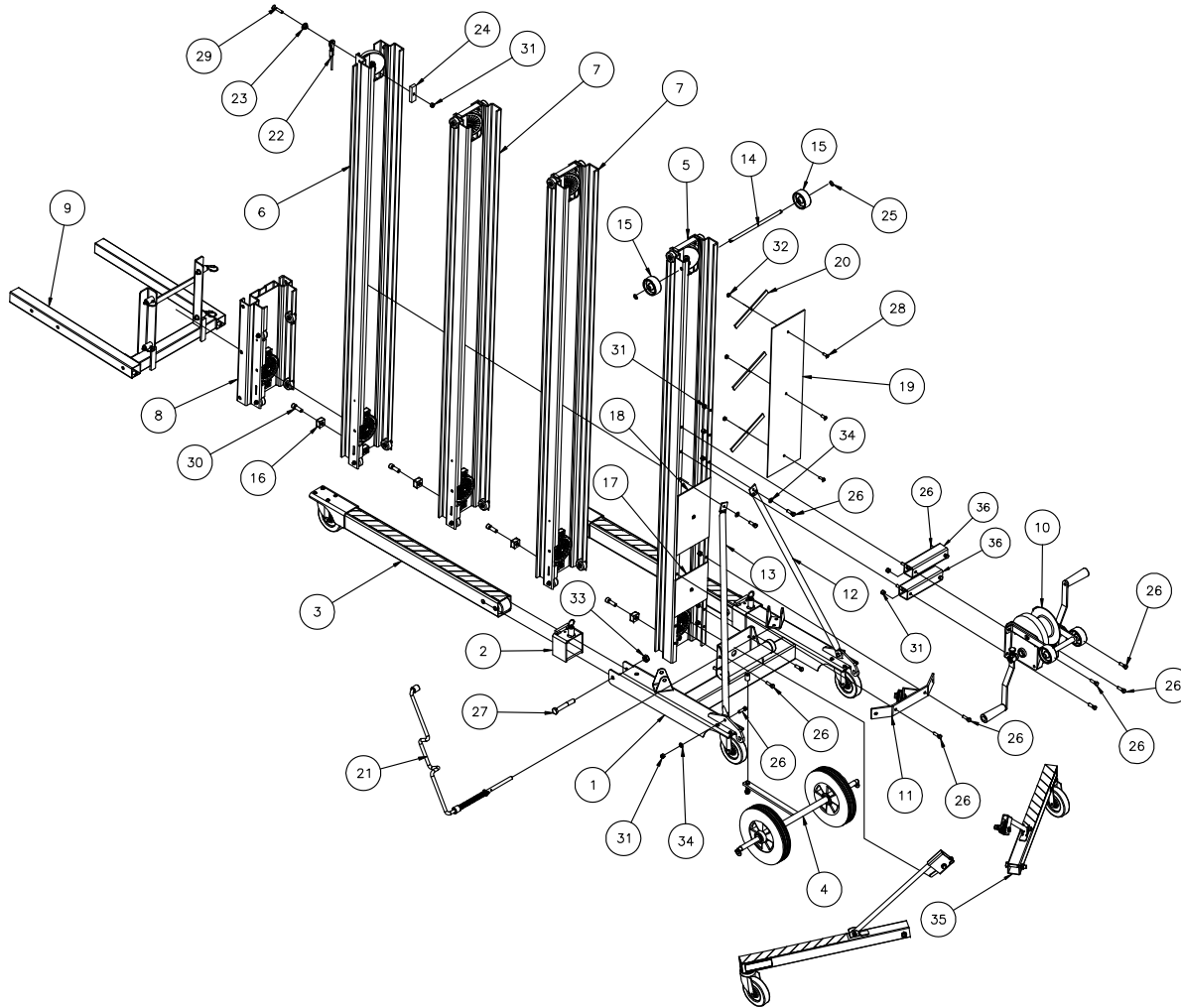
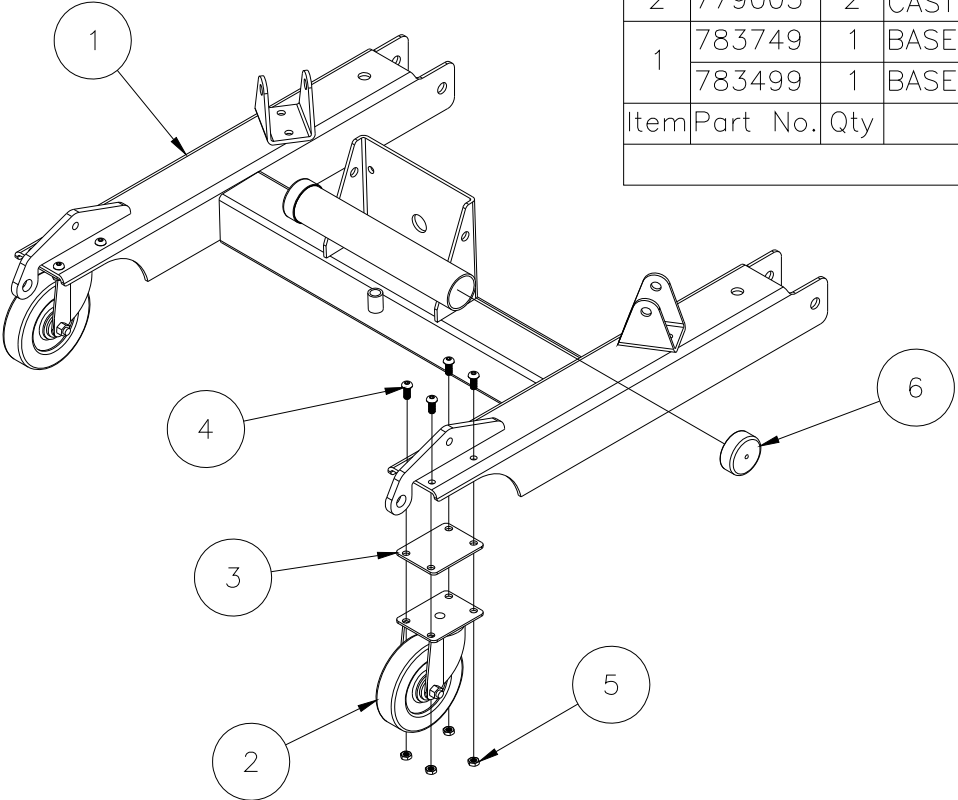


2112/2118/2124 SERIES CONTRACTOR LIFT ASSEMBLY



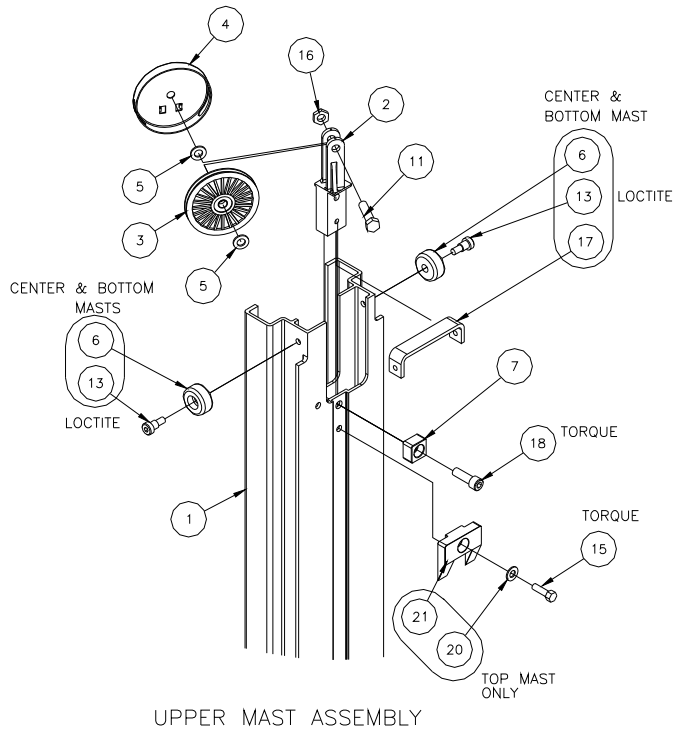
37	778383	1	LABEL KIT, 2100 SERIES - NOT SHOWN
36	783552	2	STANDOFF (MODEL 2112)
35	783935	1	OUTRIGGER ASSY 2000/2100 NEW (MODEL 2118/2124)
34	773040	4	WASHER, FLAT 3/8 USS
33	772503	2	NUT, INSERT JAM 5/8-11
32	772502	5	NUT, INSERT JAM 5/16-18
31	772355	15	NUT, INSERT LOCK 3/8-16 (MODEL 2118, 2124)
	772355	19	NUT, INSERT LOCK 3/8-16 (MODEL 2112)
	771257	4	SCREW, SHC 1/2-13 X 1-1/2 (MODEL 2124)
30	771257	3	SCREW, SHC 1/2-13 X 1-1/2 (MODEL 2118)
	771257	2	SCREW, SHC 1/2-13 X 1-1/2 (MODEL 2112)
29	771248	1	SCREW, FHSC 3/8-16 X 2
28	771239	5	SCREW, BHC 5/16-18 X 7/8
27	771146	2	SCREW, HHC 5/8-11 X 4
	771060	14	SCREW, HHC 3/8-16 X 1-1/4 (MODEL 2118, 2124)
26	771060	18	SCREW, HHC 3/8-16 X 1-1/4 (MODEL 2112)
25	774053	2	COTTER, CIRCLE Z/P .048 X 3/4
24	783551	1	LOCK BLOCK
23	782910	1	ROPE RET. WASHER 715/720
	783630	1	LOAD LINE ASSY, 2024/2124
22	783629	1	LOAD LINE ASSY, 2018/2118
	783628	1	LOAD LINE ASSY, 2012/2112
21	783040	1	MAST HOLD DOWN ASSY, BAR TYPE
20	783545	5	STRAP
19	783506	1	MAST COVER - TOP
18	783505	1	MAST COVER - MIDDLE
17	783504	1	MAST COVER - BOTTOM
	783575	4	STOP BLOCK (MODEL 2124)
16	783575	3	STOP BLOCK (MODEL 2118)
	783575	2	STOP BLOCK (MODEL 2112)
15	779012	2	WHEEL, POLY OLEFIN 3"
14	783620	1	SHAFT, ROLLER
13	780820	1	BRACE, MAST, RIGHT 2000/2100
12	780819	1	BRACE, MAST, LEFT 2000/2100
11	783582	1	SPREADER PLATE ASSEMBLY
10	783590	1	MX WINCH ASSEMBLY
9	783653	1	FORK ASSEMBLY, 2000/2100
8	783682	1	CARRIAGE ASSY 2100 LIFT
7	783662	2	CENTER MAST ASSEMBLY - 2100 (MODEL 2124)
	783662	1	CENTER MAST ASSEMBLY - 2100 (MODEL 2118)
6	783683	1	TOP MAST ASSEMBLY - 2100
5	783660	1	BOTTOM MAST ASSEMBLY - 2100
4	783736	1	10" WHEEL KIT, 2100 SERIES
	783739	2	FRONT LEG ASSY 18/20/24/25
3	783730	2	FRONT LEG ASSY 10/12/15
2	783746	2	LEG LOCK ASSEMBLY, 2100 SERIES
1	783750	1	BASE ASSEMBLY, 2100 SERIES
Item	Part No.	Qty	Description
Parts List			

783750 - BASE ASSEMBLY



6	779905	2	CAP, 2" OD TUBE, BLACK
5	772502	8	NUT, INSERT JAM 5/16-18
4	771239	8	SCREW, BHC 5/16-18 X 3/4
3	773098	2	SPACER 2-3/4 X 3-3/4 X 1/8 THK.
2	779005	2	CASTER 5" PLATE SWIVEL (RED)
1	783749	1	BASE WELDMENT, 2100 SERIES
	783499	1	BASE WELDMENT, 2100 SERIES GALV.
Item	Part No.	Qty	Description
Parts List			

UPPER AND LOWER MAST ASSEMBLIES



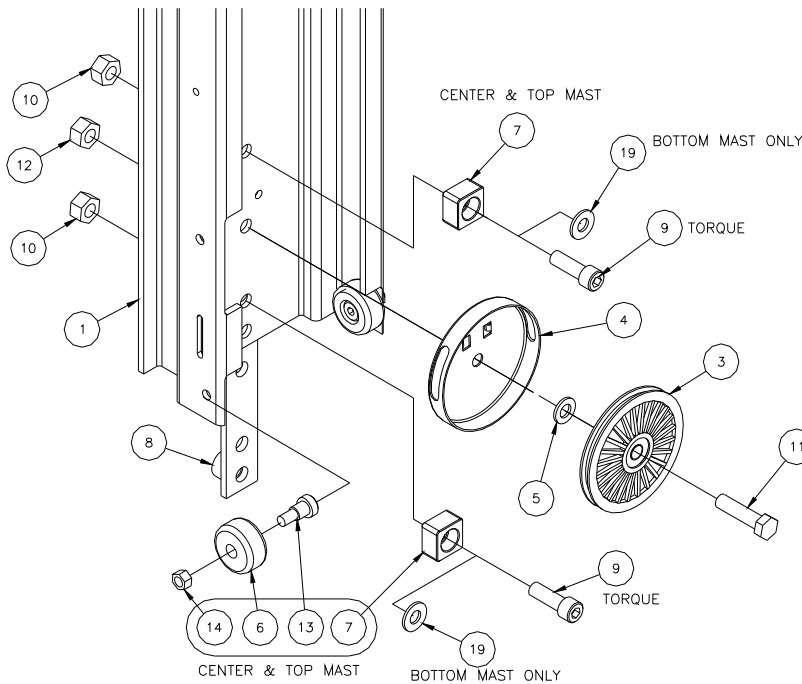
APPLICATION CHART			
ITEM	TOP MAST	CENTER MAST	BOTTOM MAST
21	QTY 1	QTY 0	QTY 0
20	QTY 1	QTY 0	QTY 0
19	QTY 0	QTY 0	QTY 2
17	QTY 0	QTY 1	QTY 1
14	QTY 2	QTY 2	QTY 0
13	QTY 2	QTY 4	QTY 2
7	QTY 3	QTY 3	QTY 1
6	QTY 2	QTY 4	QTY 2
1	783661	783661	783655

TORQUE ITEMS 9, 15, & 18 TO 125 FT-LBS
USE LOCTITE 242 ON THREADS WHERE SHOWN

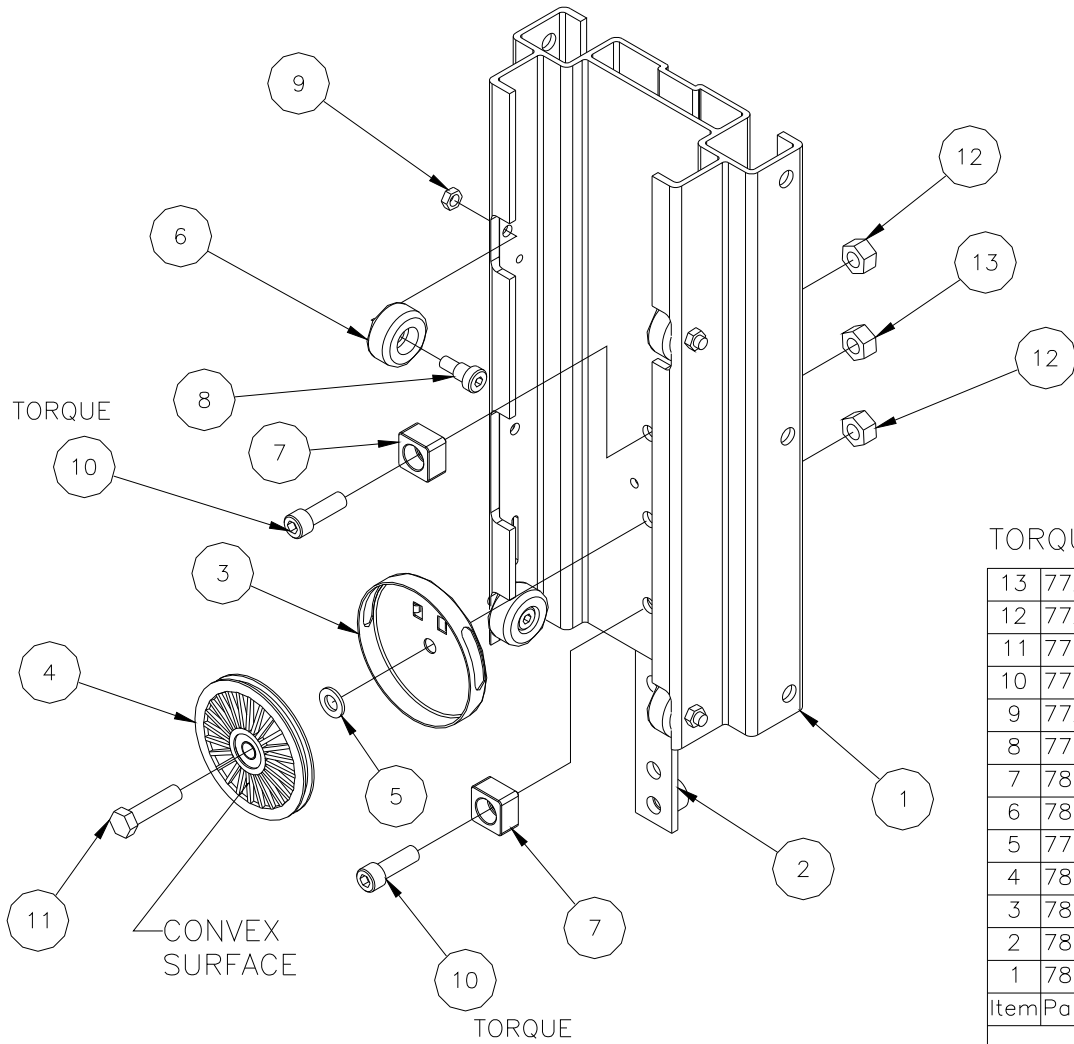
* SEE APPLICATION CHART

21	783694	*	STOP BLOCK WEDGE
20	773022	*	FLAT WASHER 3/8
19	773060	*	FLAT WASHER 1/2
18	771258	1	SHCS 1/2-13 x 1
17	783649	*	TOP BRACE
16	772505	1	JAM LOCK NUT 12mm
15	771107	1	HHCS 3/8-16 X 1
14	772350	*	INSERT JAM LOCK NUT 3/8
13	771350	*	SHOULDER BOLT 1/2 x 1/2
12	772800	1	INSERT LOCK NUT 12mm
11	771161	2	HEX HEAD BOLT 12mm X 40mm
10	772357	2	INSERT LOCK NUT 1/2-13
9	771257	2	SHCS 1/2-13 X 1-1/2
8	783503	1	BACKING PLATE WELDMENT
7	783575	*	STOP BLOCK
6	783540	*	MAST ROLLER
5	773096	3	WASHER, FLAT M12
4	783536	2	PULLEY GUARD
3	783541	2	PULLEY
2	783537	1	PULLEY MOUNT
1	*	1	MAST
Item/Part No./Qty		Description	
Parts List			

LOWER MAST ASSEMBLY



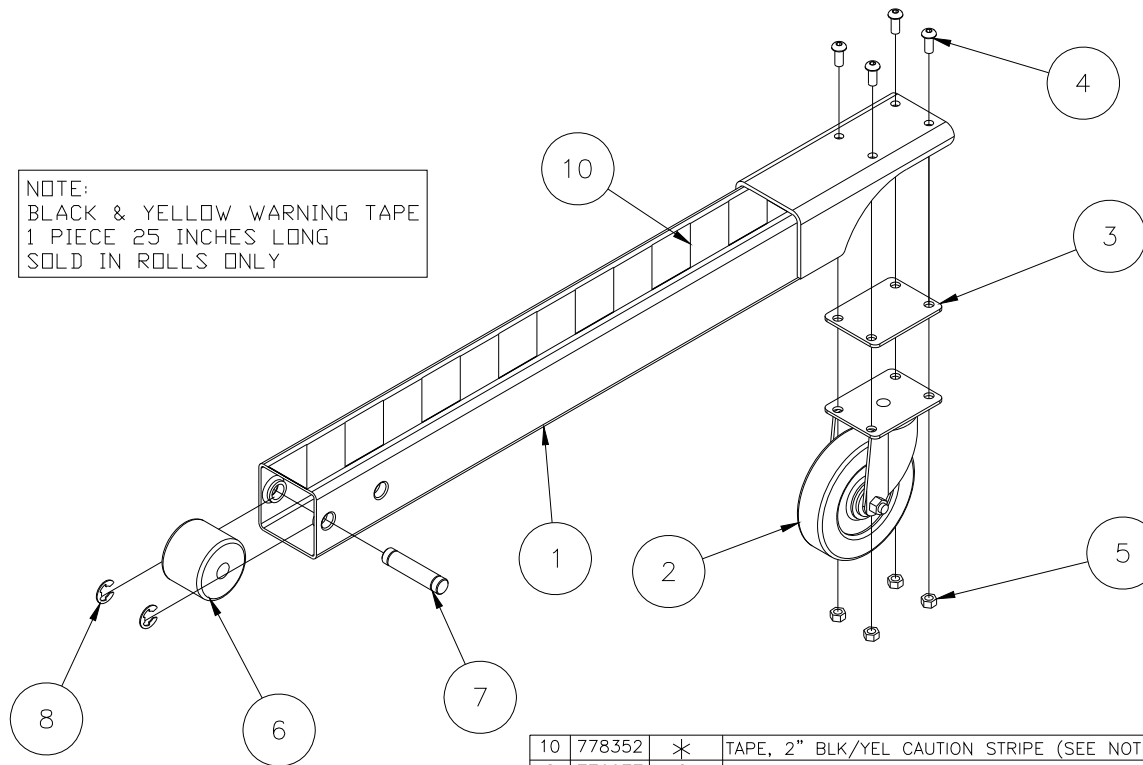
783682 - CARRIAGE ASSEMBLY



TORQUE STOP BLOCKS TO 125 FT-LBS

13	772800	1	INSERT LOCKNUT 12mm
12	772357	2	INSERT LOCKNUT 1/2-13
11	771161	1	HHCS-12mm X 40mm
10	771257	2	SHCS 1/2-13 X 1-1/2
9	772350	4	INSERT JAM LOCKNUT 3/8-16
8	771350	4	SHOULDER BOLT 1/2 x 1/2
7	783575	2	STOP BLOCK
6	783540	4	MAST ROLLER
5	773096	1	WASHER, FLAT M12
4	783541	1	PULLEY W/ BEARING
3	783536	1	PULLEY GUARD
2	783503	1	BACKING PLATE WELDMENT
1	783534	1	CARRIAGE, UNIVERSAL
Item	Part No.	Qty	Description
Parts List			

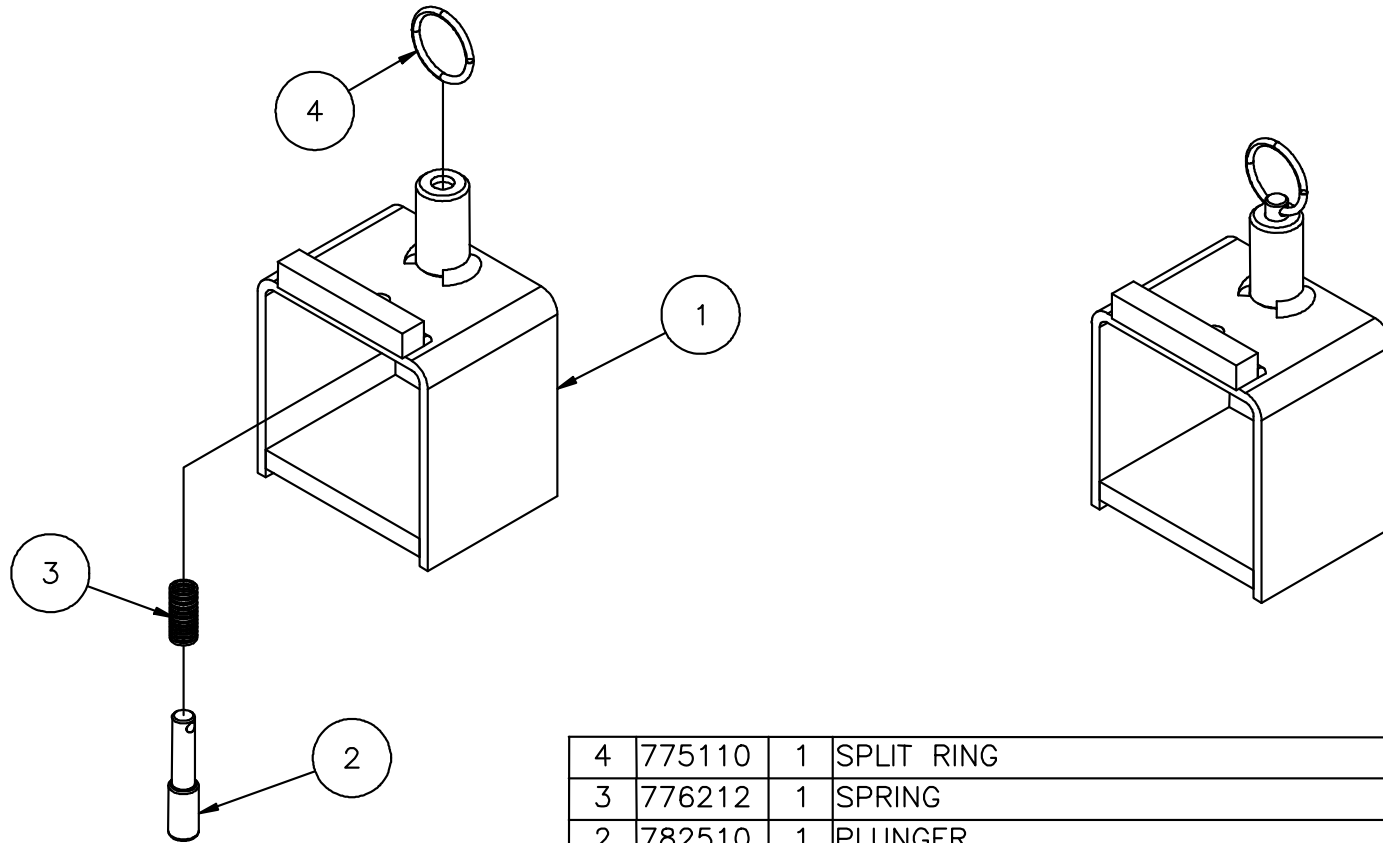
783730/783739 - FRONT LEG ASSEMBLY



NOTE:
BLACK & YELLOW WARNING TAPE
1 PIECE 25 INCHES LONG
SOLD IN ROLLS ONLY

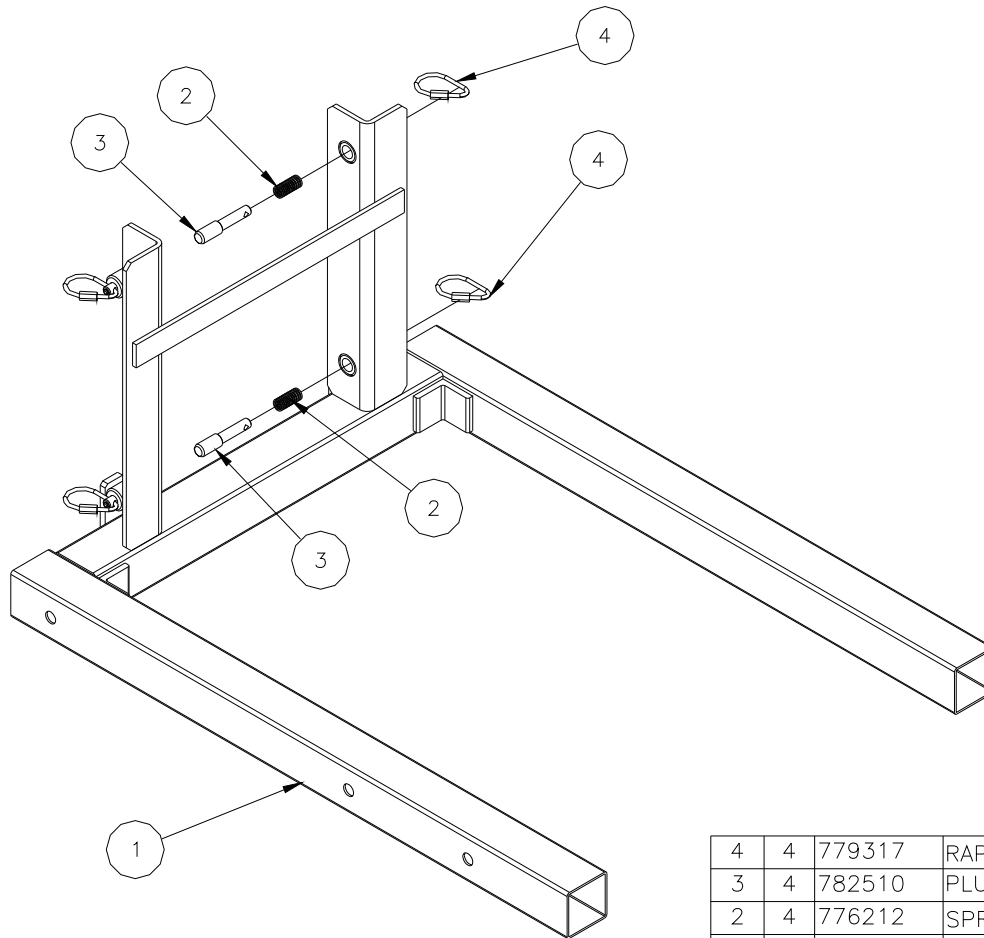
10	778352	*	TAPE, 2" BLK/YEL CAUTION STRIPE (SEE NOTE)	*
8	776077	2	RETAINER RING #5133-62	
7	783644	1	SHAFT, LEG ROLLER	
6	783569	1	ROLLER, LEG	
5	772502	4	NUT, INSERT JAM 5/16-18	
4	771239	4	SCREW, BHC 5/16-18 X 3/4	
3	783098	1	SPACER, CASTER PLATE	
2	779005	1	CASTER 5" PLATE SWIVEL (RED)	
1	783497	1	FRONT LEG WELDMNT 2020/2025/2118/2124 GALV.	
	783738	1	FRONT LEG WELDMNT 2020/2025/2118/2124	
	783498	1	FRONT LEG WELDMNT 2010/2015/2112 GALV.	
	783732	1	FRONT LEG WELDMNT 2010/2015/2112	
Item	Part No.	Qty	Description	
Parts List				

783746 - LEG LOCK ASSEMBLY



4	775110	1	SPLIT RING
3	776212	1	SPRING
2	782510	1	PLUNGER
1	783740	1	LEG LOCK WELDMENT
Item	Part No.	Qty	Description
Parts List			

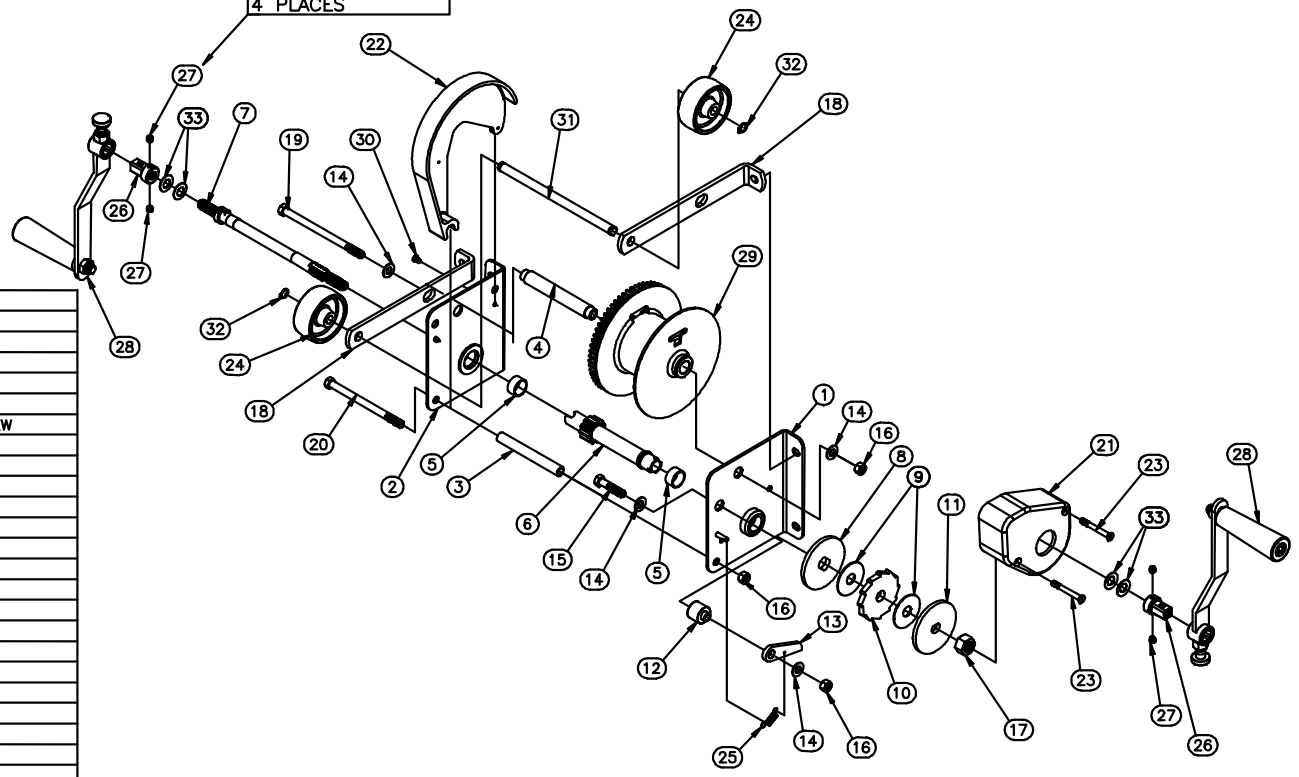
783653 - STANDARD FORK ASSEMBLY



4	4	779317	RAPID LINK, PEAR SHAPED 1/8"
3	4	782510	PLUNGER
2	4	776212	SPRING, #C0480-042-1250-M
1	1	783496	FORK WELDMENT GALVANIZED
	1	783547	FORK WELDMENT
Item	Qty	PART #	DESCRIPTION
Parts List			

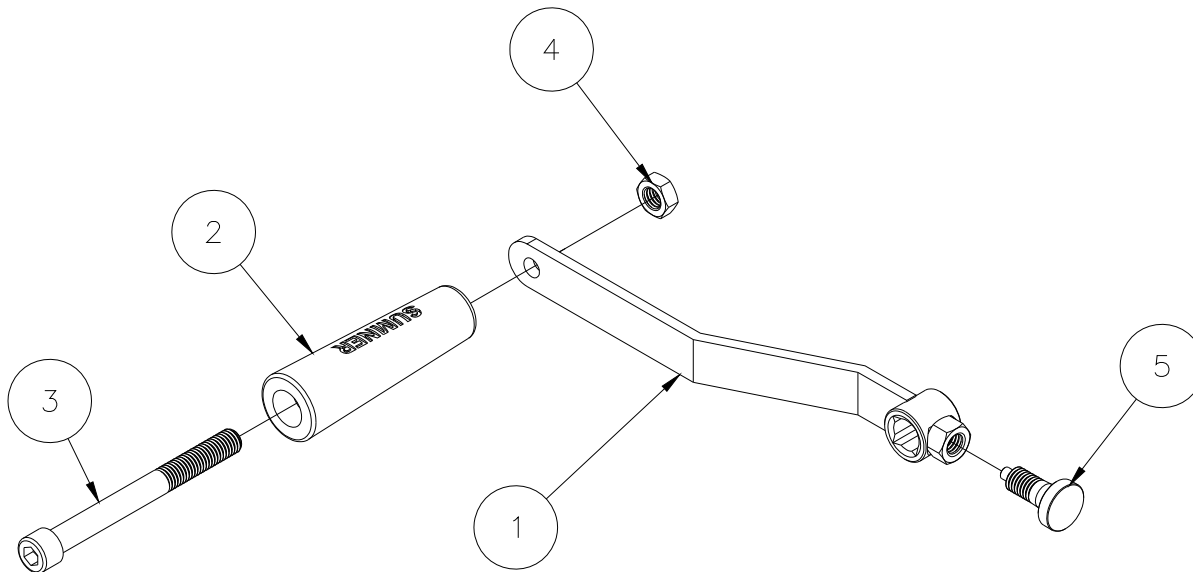
783590 - MX WINCH ASSEMBLY

NOTE:
LOCTITE ITEM # 27
4 PLACES



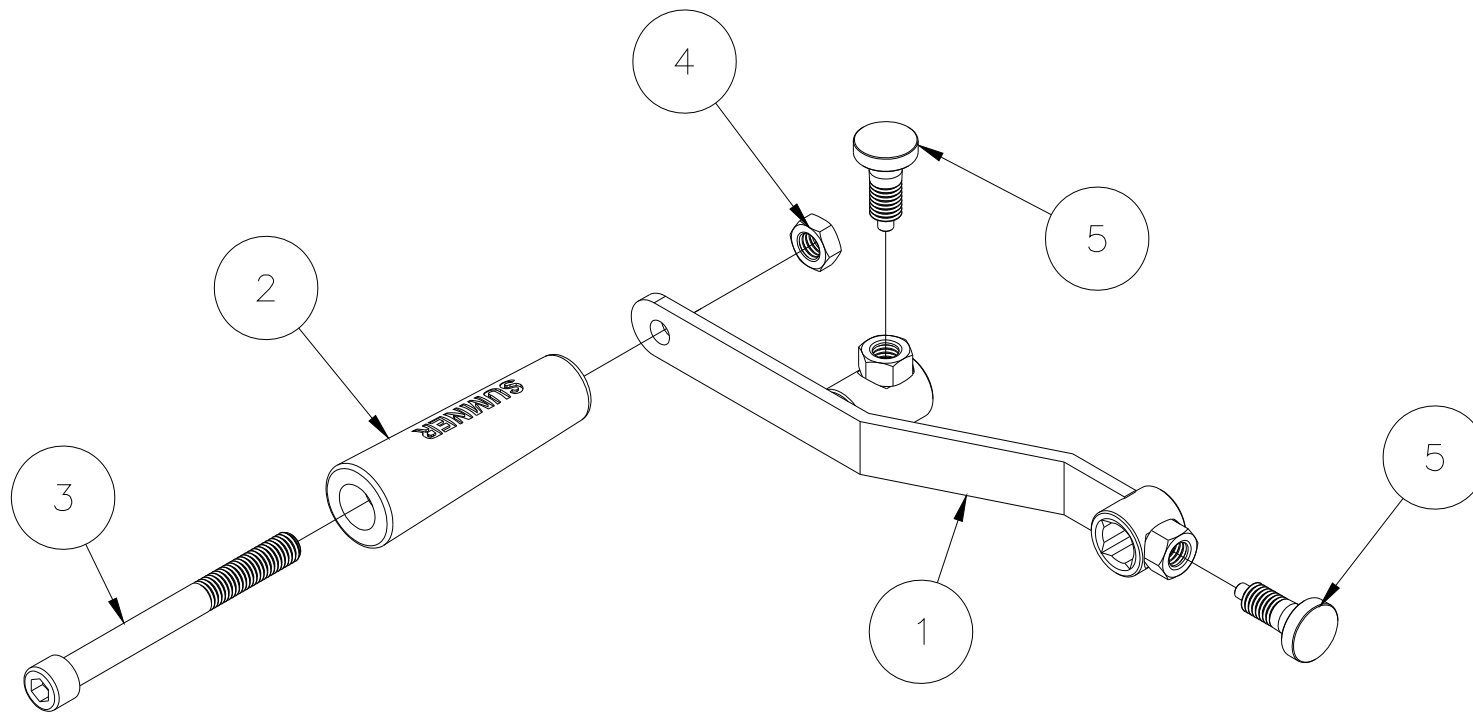
33	773085	4	BELLVILLE SPRING WASHER
32	776072	2	RETAINER 5100-50
31	782619	1	ROLLER SHAFT
30	771800	2	PHSM #10 x 1/2
29	783613	1	DRUM ASSEMBLY
28	783757	2	HANDLE ASSEMBLY
27	771431	4	1/4-20 x 5/16 SET SCREW
26	784284	2	WINCH HANDLE ADAPTER
25	783621	1	RATCHET DOG SPRING
24	779012	2	ROLLER - 3"
23	771290	2	FHMS 1/4-20 x 2-1/4
22	782611	1	COVER - GEAR
21	783612	1	COVER - BRAKE
20	771111	1	HHCS 3/8-16 x 5-1/2
19	771105	1	HHCS 3/8-16 x 6
18	783609	2	SUPPORT ARM
17	772375	1	5/8-18 INSERT LOCKNUT
16	772355	3	3/8-16 INSERT LOCKNUT
15	771100	1	HHCS 3/8-16 x 1-3/4
14	773040	4	WASHER FL 3/8
13	780216	1	RATCHET DOG
12	783598	1	SPACER
11	780212	1	PLATE - OUTER
10	780214	1	RATCHET WHEEL
9	783615	2	BRAKE DISC
8	780211	1	PLATE - INNER
7	783754	1	DRIVE SHAFT
6	780205	1	PINION SHAFT
5	775092	2	BUSHING
4	783606	1	DRUM SPACER SHAFT
3	783599	1	SPACER
2	783593	1	SIDE PLATE WELDMENT - LH
1	783596	1	SIDE PLATE WELDMENT - RH
Item/Part No.	Qty	Description	
Parts List			

783757 - MX WINCH HANDLE ASSEMBLY



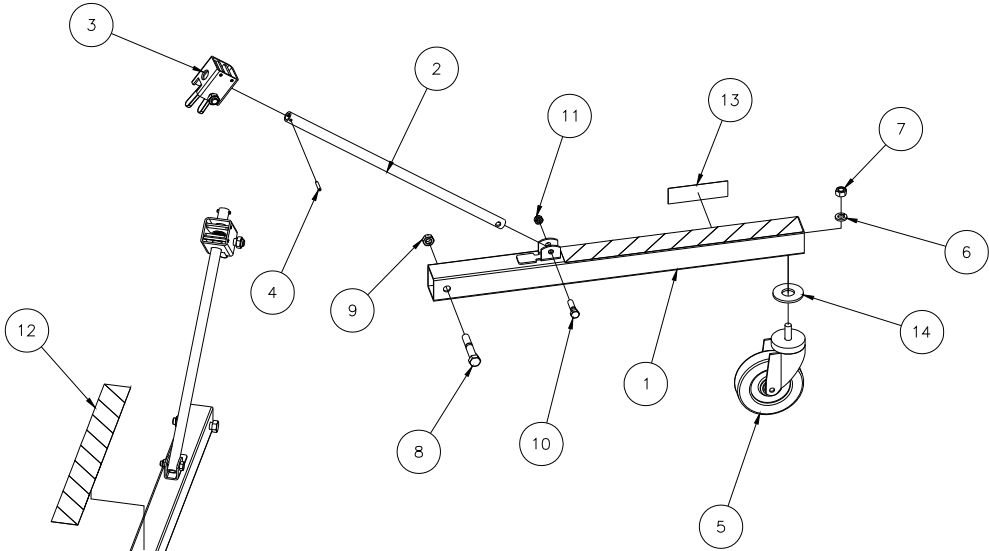
5	774180	1	PLUNGER ASSEMBLY
4	772358	1	1/2-13 INSERT JAM LOCK NUT
3	771254	1	SHCS 1/2-13 x 5
2	780182	1	WINCH HANDLE SLEEVE
1	783756	1	HANDLE WELDMENT
Item	Part No.	Qty	Description
Parts List			

783759 - MX WINCH TWO-SPEED HANDLE



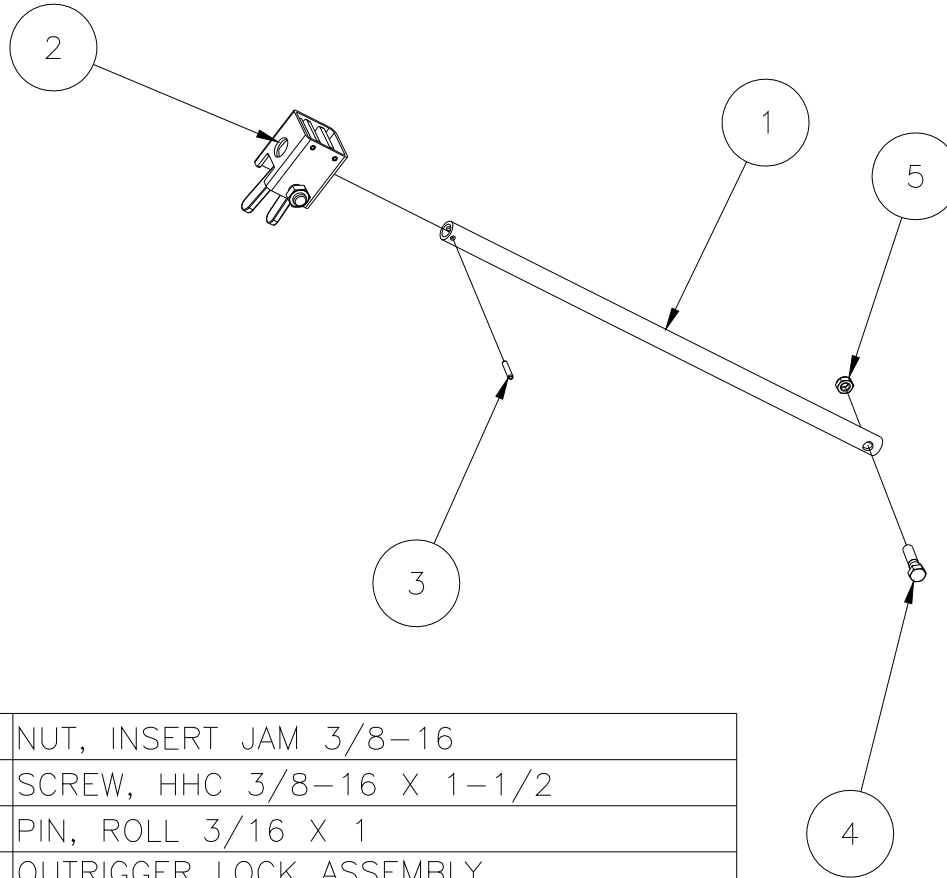
5	774180	2	PLUNGER ASSEMBLY
4	772358	1	1/2-13 INSERT JAM LOCK NUT
3	771253	1	SHCS 1/2-13 x 5
2	780182	1	WINCH HANDLE SLEEVE
1	783758	1	2 SPEED HANDLE WELDMENT
Item	Part No.	Qty	Description
Parts List			

783935 - OUTRIGGER ASSEMBLY - OPTIONAL



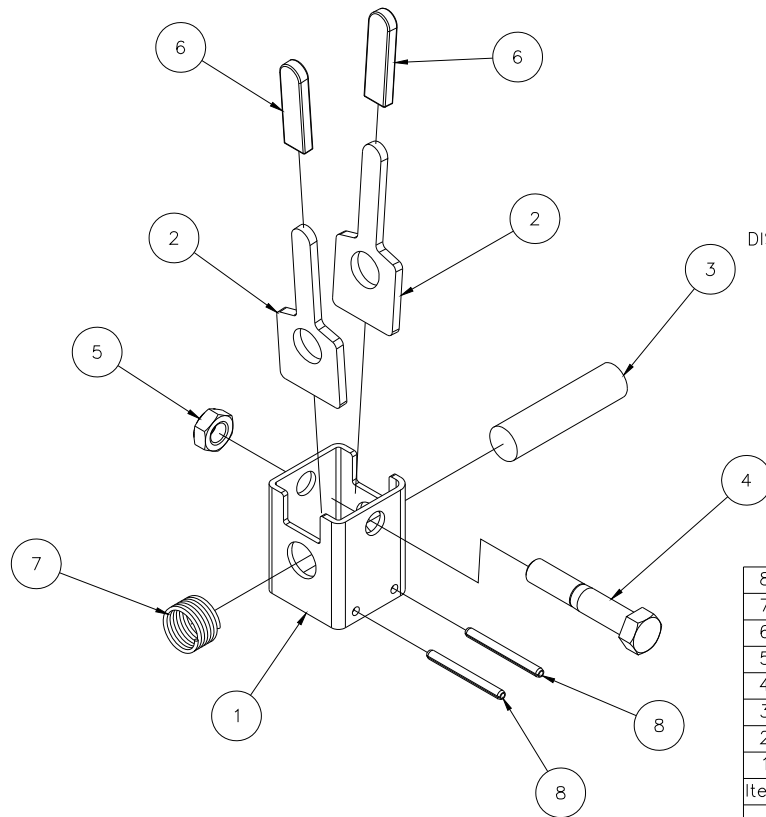
14	773091	2	WASHER, FLAT 7/8" USS PLT'D.
13	778348	2	LABEL, LOWER STAB'LZR LEGS
12	778352	2	TAPE, 2" B/Y CAUTION STRIPE
11	772350	2	NUT, INSERT JAM 3/8-16
10	771090	2	SCREW, HHC 3/8-16 X 1-1/2
9	772358	2	NUT, INSERT JAM 1/2-13
8	771142	2	SCREW, HHC 1/2-13 X 3
7	772801	2	NUT, HEX 12MM PLT'D.
6	773590	2	WASHER, LOCK 1/2"
5	779002	2	CASTER, 125 X 32 12MM STEM
4	774080	2	PIN, ROLL 3/16 X 1
3	783940	2	OUTRIGGER LOCK ASSEMBLY
2	783943	2	OUTRIGGER SUPPORT TUBE
1	783528	2	LEG WELDMENT, OUTRIGGER
Item	Part No.	Qty	Description
Parts List			

783945 - OUTRIGGER LOCK KIT, 2000/2100



5	772350	1	NUT, INSERT JAM 3/8-16
4	771090	1	SCREW, HHC 3/8-16 X 1-1/2
3	774080	1	PIN, ROLL 3/16 X 1
2	783940	1	OUTRIGGER LOCK ASSEMBLY
1	783943	1	OUTRIGGER SUPPORT TUBE
Item	Part No.	Qty	Description
Parts List			

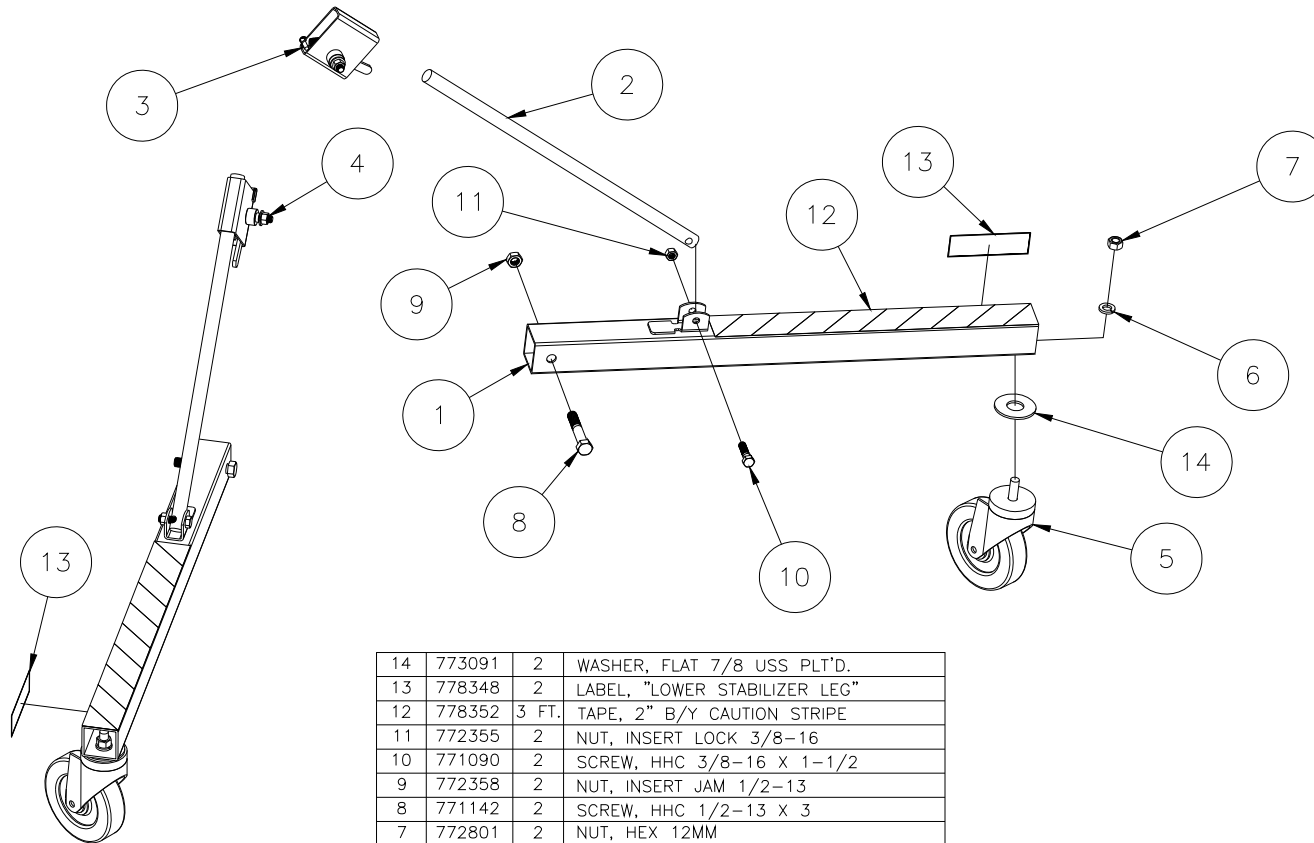
783940 - OUTRIGGER LOCKS



DISCARD ITEM #3 ONCE THE OUTRIGGER
LOCK ASSEMBLY IS IN PLACE ON
THE OUTRIGGER SUPPORT TUBE

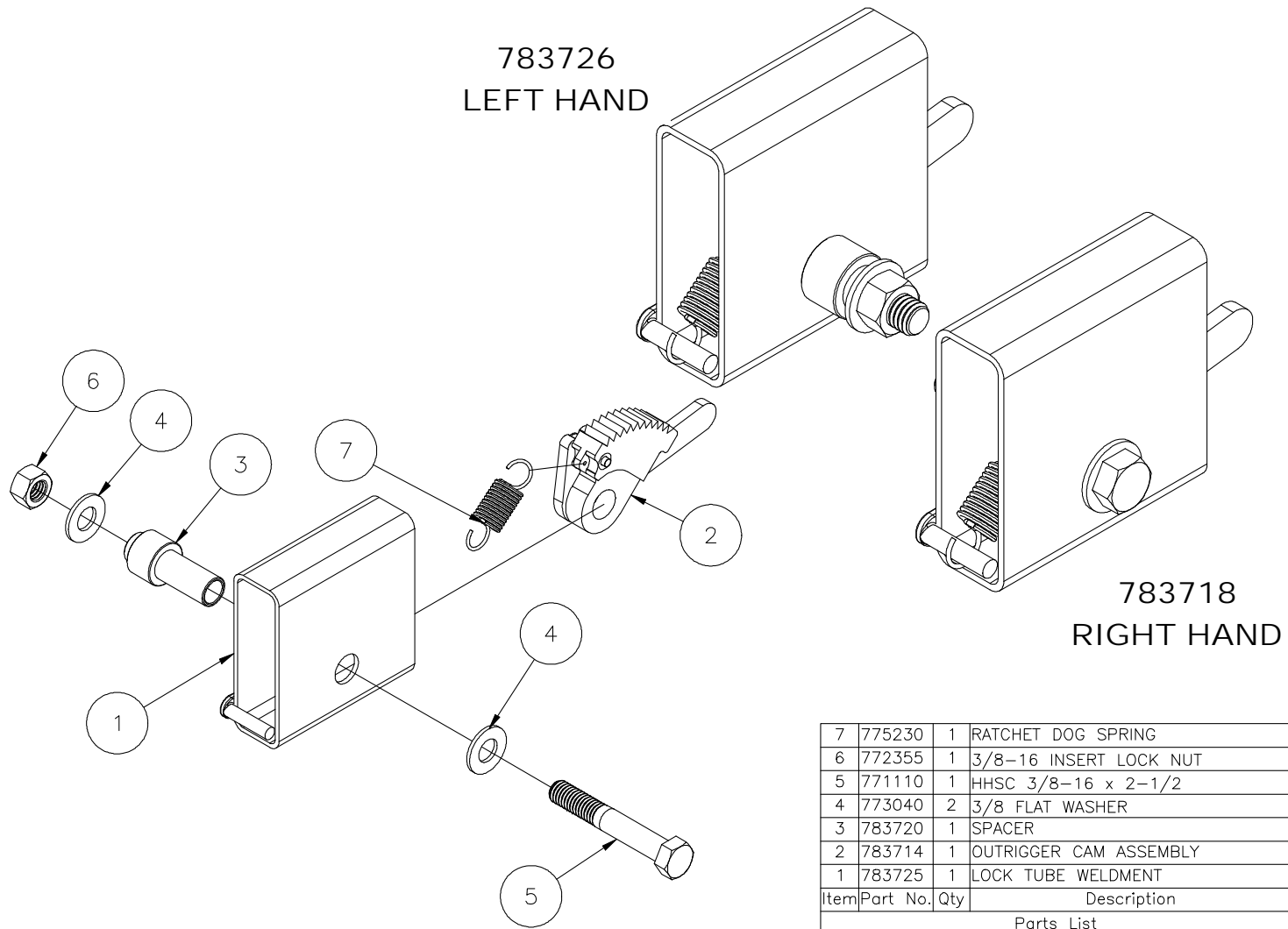
8	774084	2	PIN, ROLL 3/16 X 2
7	776221	1	SPRING, CENTURY #2952
6	779938	2	CAP, RECT RD END 3/16 X 1/2 X 2
5	772358	1	NUT, INSERT JAM 1/2-13
4	771141	1	SCREW, HHC 1/2-13 X 2-3/4
3	783944	1	OUTRIGGER SUPPORT TUBE STUB
2	783942	2	OUTRIGGER LOCK FINGER
1	783941	1	OUTRIGGER LOCK TUBE
Item	Part No.	Qty	Description
Parts List			

783679 - OUTRIGGER ASSEMBLY - OPTIONAL (OBSOLETE)



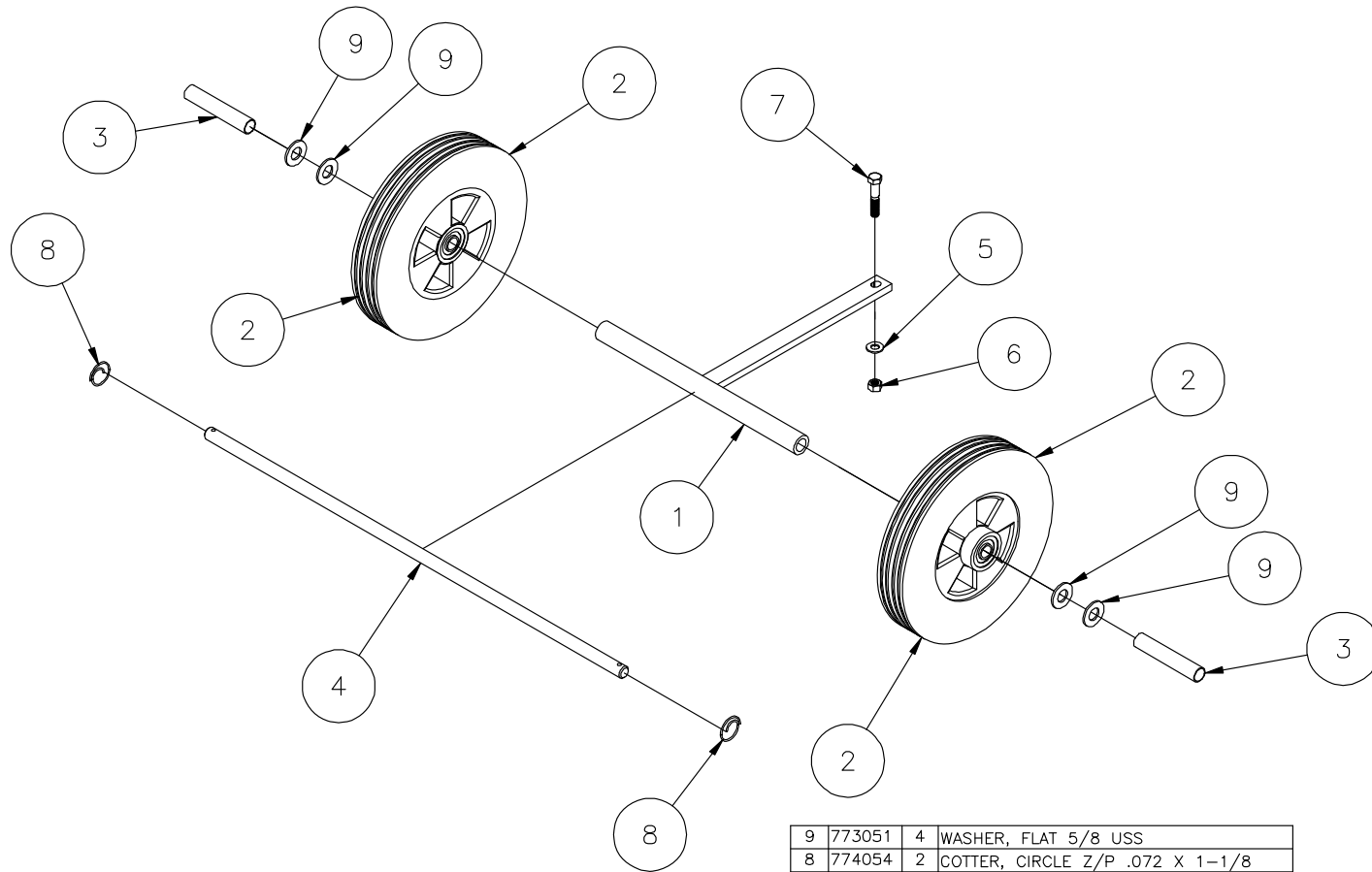
14	773091	2	WASHER, FLAT 7/8 USS PLT'D.
13	778348	2	LABEL, "LOWER STABILIZER LEG"
12	778352	3 FT.	TAPE, 2" B/Y CAUTION STRIPE
11	772355	2	NUT, INSERT LOCK 3/8-16
10	771090	2	SCREW, HHC 3/8-16 X 1-1/2
9	772358	2	NUT, INSERT JAM 1/2-13
8	771142	2	SCREW, HHC 1/2-13 X 3
7	772801	2	NUT, HEX 12MM
6	773590	2	WASHER, LOCK 1/2
5	779002	2	CASTER, 125 X 32 12MM STEM
4	783726	1	OUTRIGGER LOCK ASSEMBLY, LEFT
3	783718	1	OUTRIGGER LOCK ASSEMBLY, RIGHT
2	783717	2	OUTRIGGER SUPPORT BAR
1	783495	2	LEG WELDMENT, OUTRIGGER GALVANIZED
	783528	2	LEG WELDMENT, OUTRIGGER
ITEM	P/N	QTY	DESCRIPTION
PARTS LIST			

783718/783726 - OUTRIGGER LOCKS (OBSOLETE)



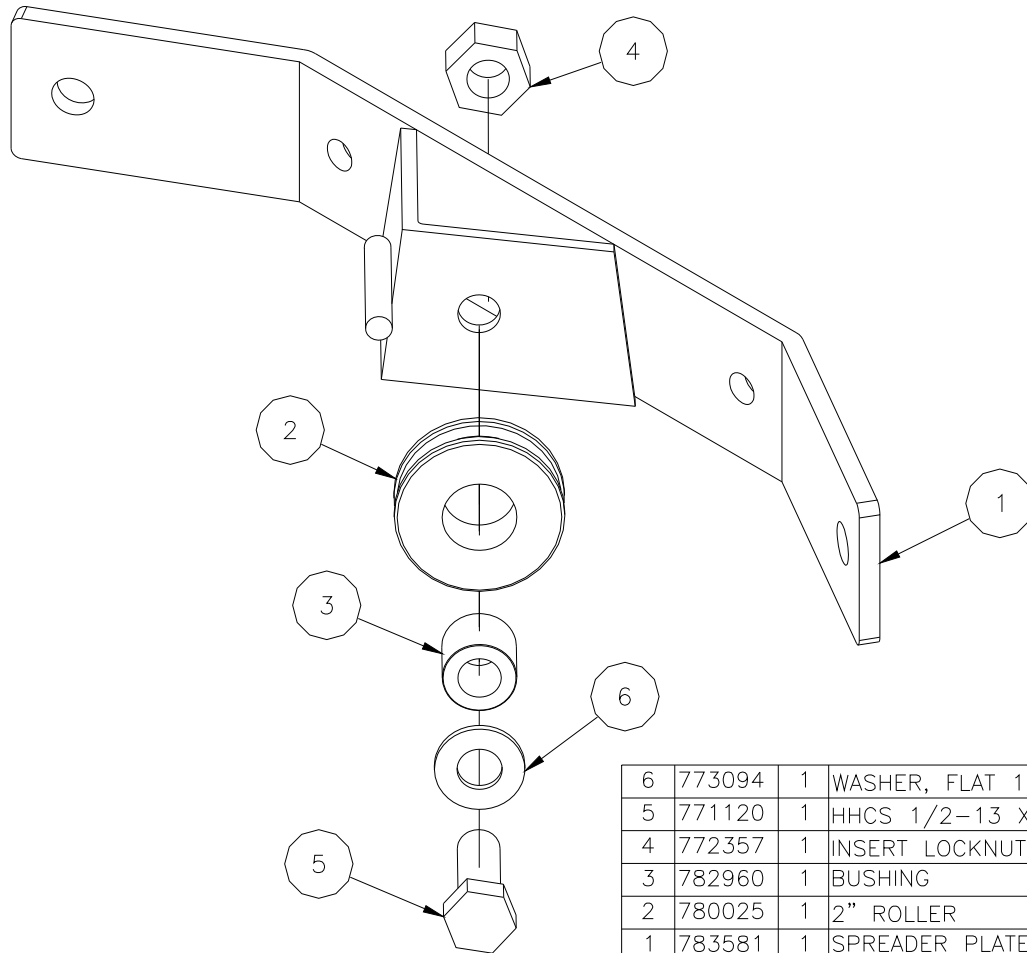
7	775230	1	RATCHET DOG SPRING
6	772355	1	3/8-16 INSERT LOCK NUT
5	771110	1	HHSC 3/8-16 x 2-1/2
4	773040	2	3/8 FLAT WASHER
3	783720	1	SPACER
2	783714	1	OUTRIGGER CAM ASSEMBLY
1	783725	1	LOCK TUBE WELDMENT
Item	Part No.	Qty	Description
Parts List			

783736 - 10" WHEEL KIT



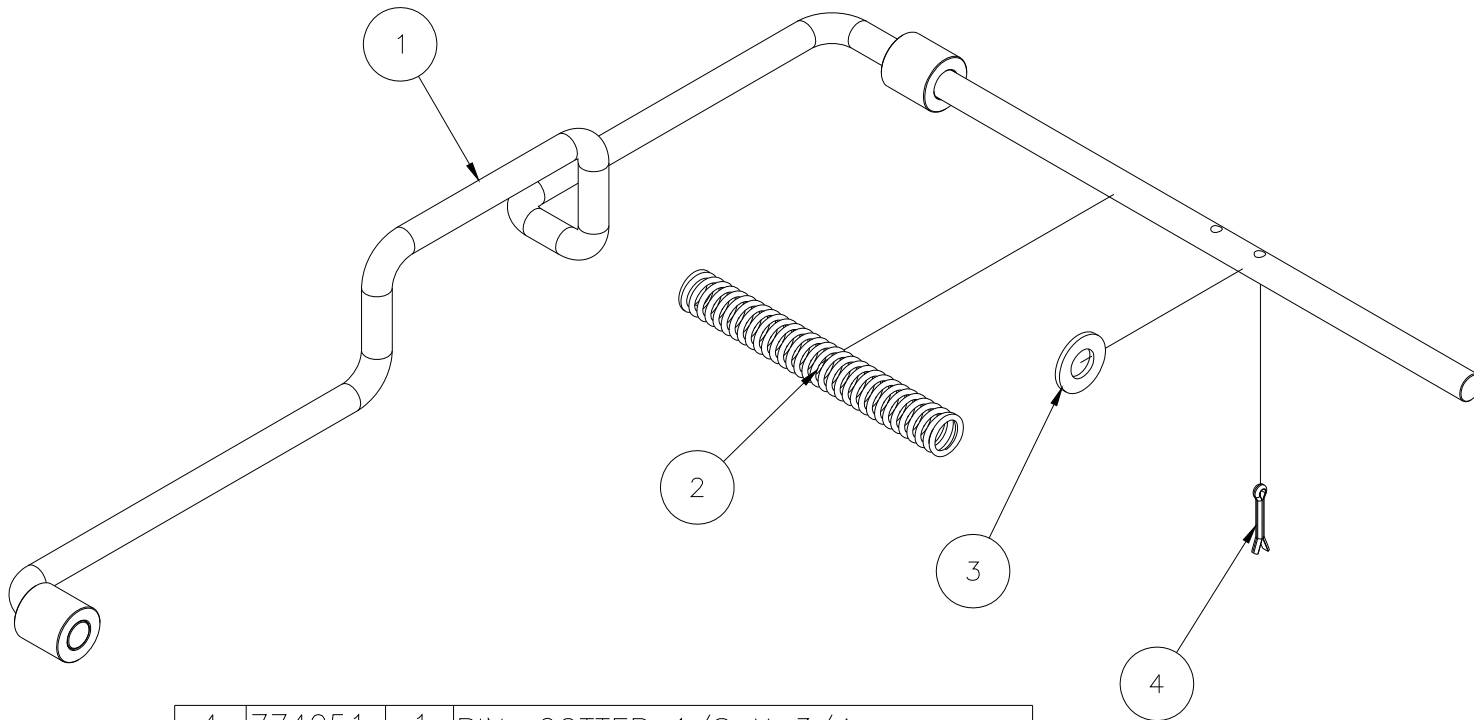
9	773051	4	WASHER, FLAT 5/8 USS
8	774054	2	COTTER, CIRCLE Z/P .072 X 1-1/8
7	771112	1	SCREW, HHC 3/8-16 x 2
6	772355	1	NUT, INSERT LOCK 3/8-16
5	773040	1	WASHER, FLAT 3/8 USS
4	782544	1	AXLE, MODEL 209
3	774039	2	SPACER, BUTTITE 5/8 X 4
2	779011	2	WHEEL, 10" RUBBER TIRE
1	783735	1	AXLE SUPPORT WELDMENT, 2100 SERIES
Item	Part No.	Qty	Description
Parts List			

783582 - SPREADER PLATE ASSEMBLY



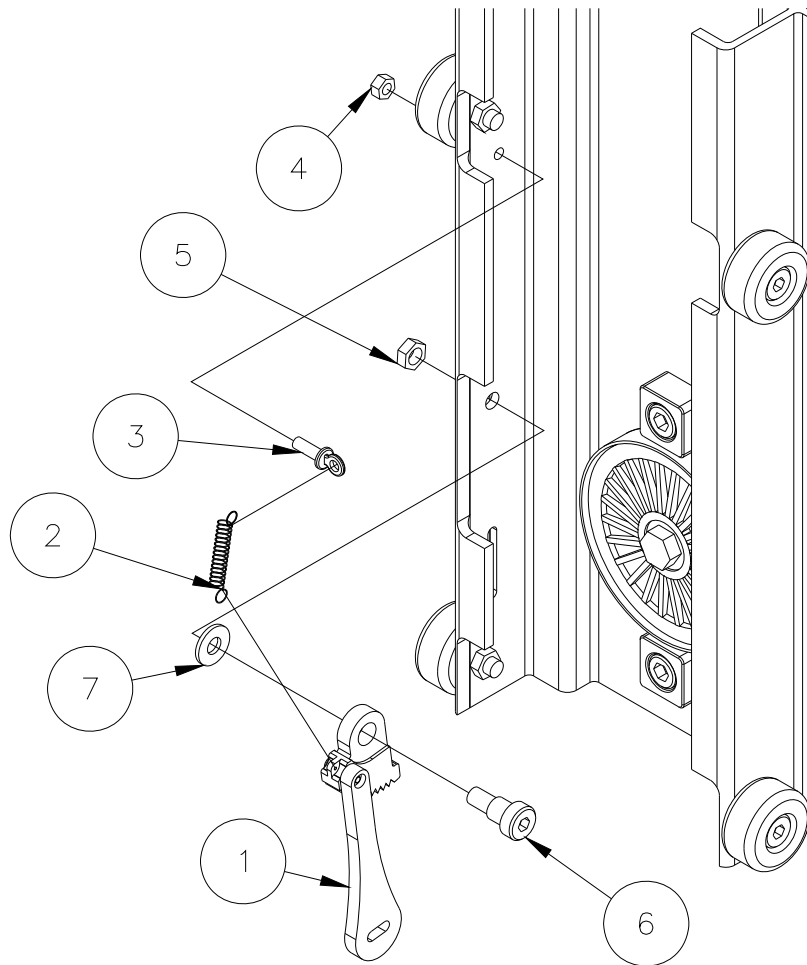
6	773094	1	WASHER, FLAT 1/2
5	771120	1	HHCS 1/2-13 X 1-1/2
4	772357	1	INSERT LOCKNUT 1/2-13
3	782960	1	BUSHING
2	780025	1	2" ROLLER
1	783581	1	SPREADER PLATE WELDMENT
Item	Part No.	Qty	Description
Parts List			

783040 - MAST HOLD DOWN BAR



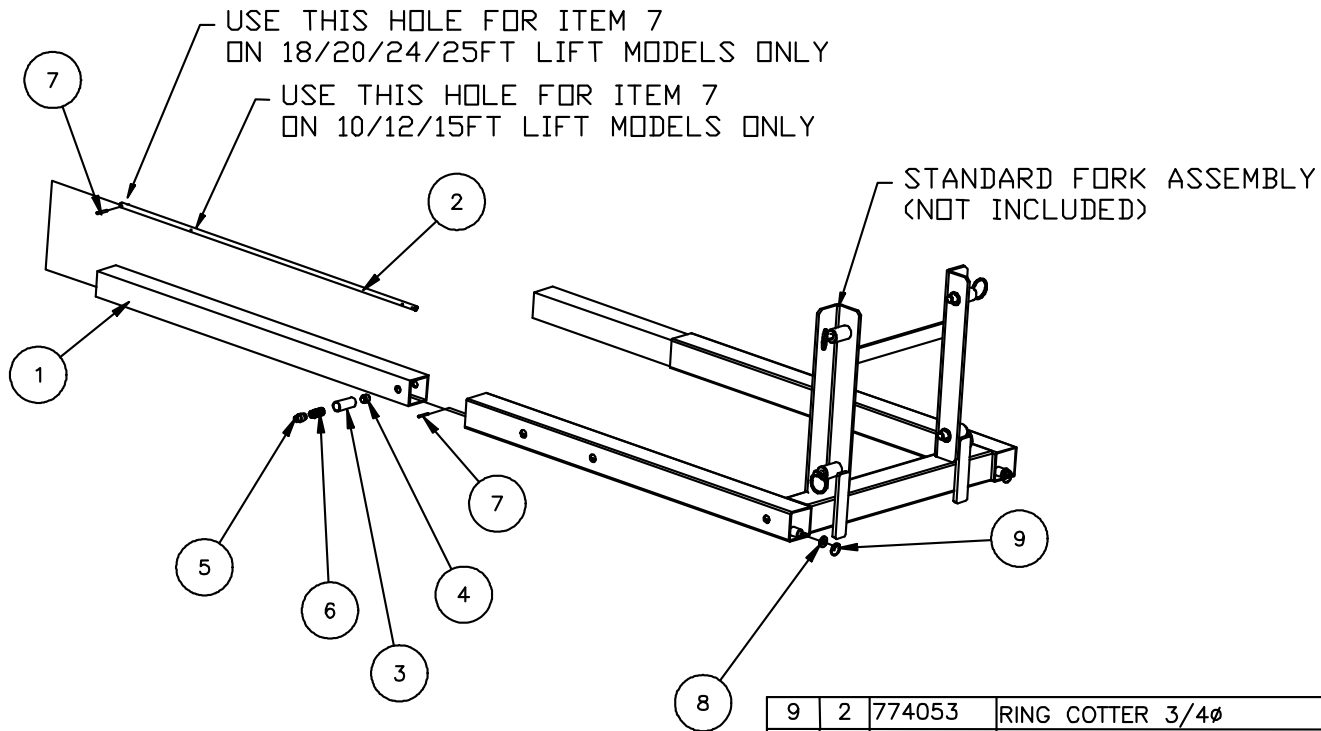
4	774051	1	PIN, COTTER 1/8 X 3/4
3	773094	1	WASHER, FLAT 1/2 SAE
2	776218	1	SPRING 3/4 OD X 7-1/2 LG.
1	783041	1	MAST HOLD DOWN WELDMENT
Item	Part No.	Qty	Description
Parts List			

783881 - BRAKE INSTALLATION - OPTIONAL



7	773042	1	5/16 FLAT WASHER
6	771350	1	SHOULDER BOLT 1/2 X 1/2
5	772350	1	INSERT JAM LOCKNUT 3/8-16
4	772076	1	INSERT LOCKNUT 1/4-20
3	779900	1	ADJUSTING SCREW
2	783530	1	EXTENSION SPRING
1	783692	1	BRAKE CAM & WEIGHT ASSEMBLY
Item	Part No.	Qty	Description
Parts List			

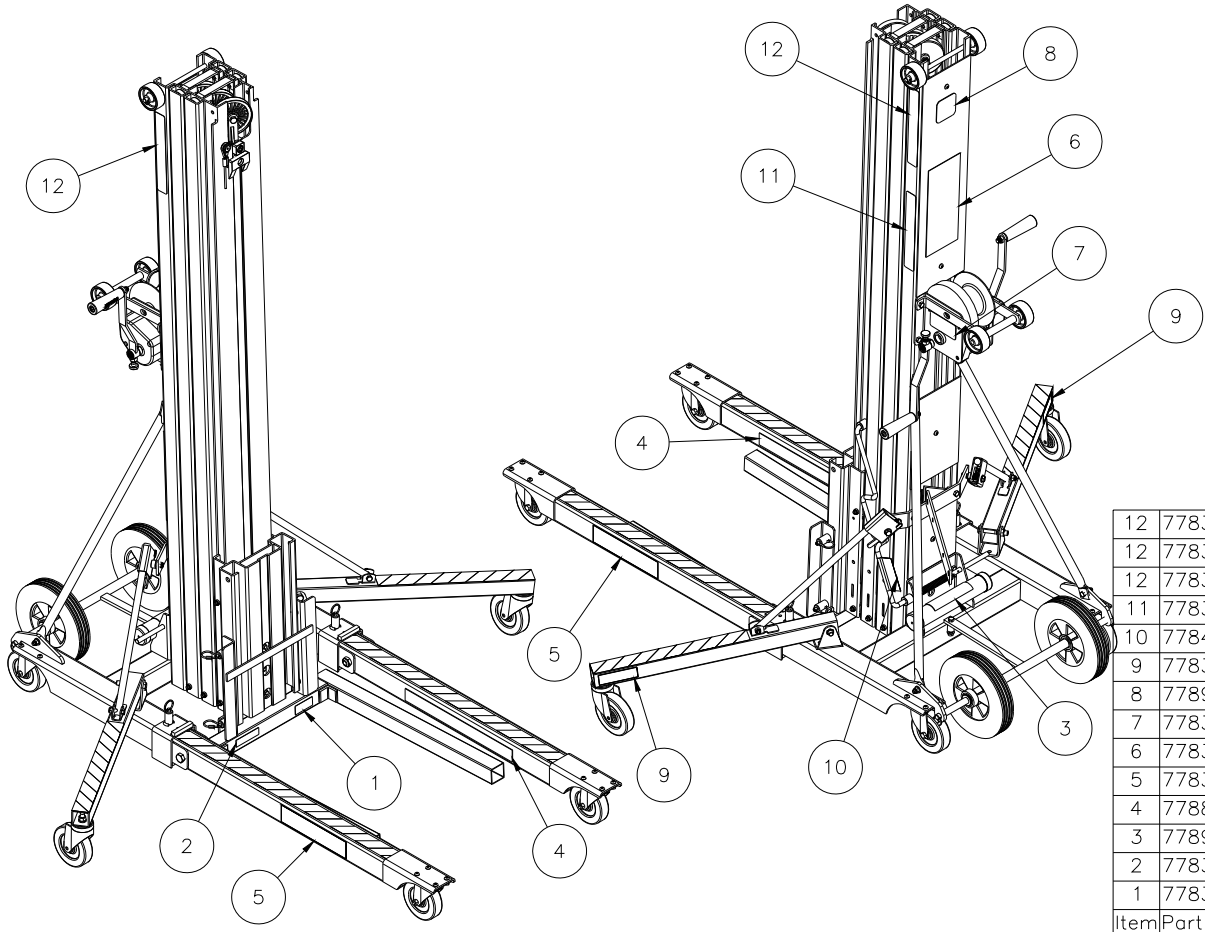
783691 - FORK EXTENSION KIT ASSEMBLY



NOTE CORRECT POSITION FOR ROLLPIN IN LIMIT ROD FOR EACH MODEL. USING THE OUTSIDE HOLE FOR 10-15FT MODELS MAY CAUSE AN UNSTABLE CONDITION WITH A LARGE LOAD. USE OF FORK EXTENSIONS REDUCES THE RATED CAPACITY TO 200 POUNDS AT THE END. REFER TO OWNERS MANUAL.

9	2	774053	RING COTTER 3/4 ϕ
8	2	773042	WASHER 5/16
7	4	774092	ROLL PIN
6	2	776212	SPRING
5	2	783509	LOCK PIN
4	2	783508	PIN
3	2	774035	SPACER
2	2	783589	LIMIT ROD
1	2	783588	EXTENSION TUBE
Item	Qty	PART #	DESCRIPTION
Parts List			

COMMON LABEL PLACEMENT



12	778372	2	Label, Model 2124
12	778371	2	Label, Model 2118
12	778370	2	Label, Model 2112
11	778373	1	LABEL, CE AND SERIAL NUMBER
10	778461	1	LABEL, MAST HOLD DOWN BAR TYPE
9	778348	2	LABEL, LOWER STABILIZER LEG
8	778920	1	LABEL, CAUTION CARRIAGE LATCH
7	778346	1	LABEL, WINCH RAISE/LOWER
6	778350	1	LABEL, GENERAL WARNINGS LARGE
5	778342	2	LABEL, SUMNER
4	778850	2	LABEL, DO NOT STAND UNDER LOAD
3	778906	1	LABEL, OPERATOR MANUAL READ BEFORE
2	778339	1	LABEL, CARRIAGE LATCH WARNING
1	778347	1	LABEL, NO RIDER WARNING
Item	Part No.	Qty	Description
Parts List			