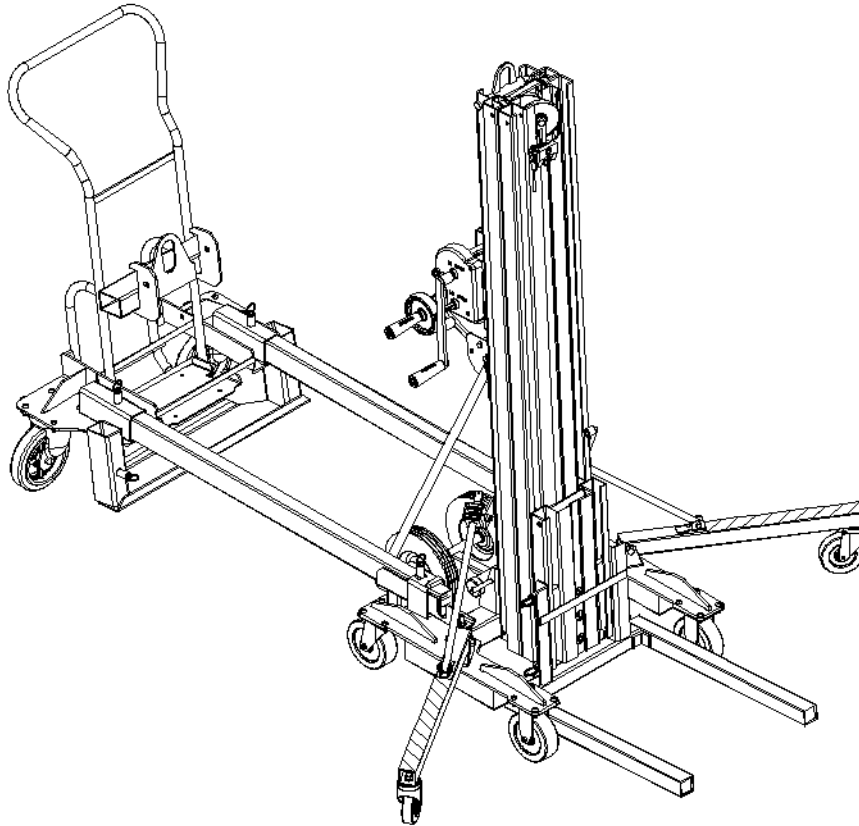

PARTS MANUAL

SERIES 2500 MATERIAL LIFT



SUMNER[®]

USA • 7514 Alabonson Road • Houston, TX 77088 • Ph: 281-999-6900 • Fax: 281-999-6966

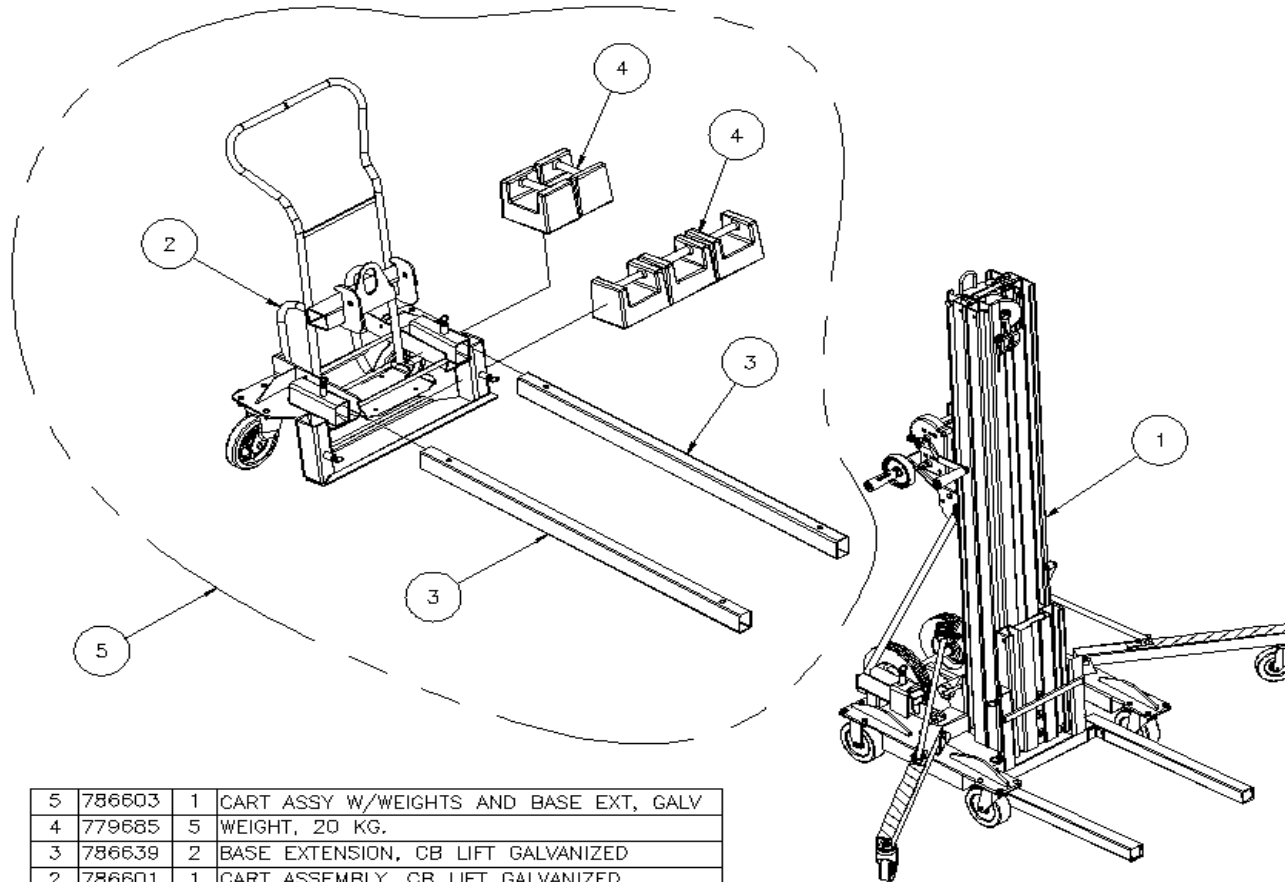
Canada • 75 Saltsman Drive, Unit 5 • Cambridge, ON N3H 4R7 • Ph: 519-653-5300 • Fax: 519-653-5305

UK • Unit 3 Kempton Road • Keytec 7 Business Park • Pershore, Worcestershire WR102TA • Ph: (44) 1386 556278 • Fax: (44) 1386 556776

Netherlands • Midden Engweg 21 • NL-3882TS Putten • Netherlands • +31 (0) 6 13147979

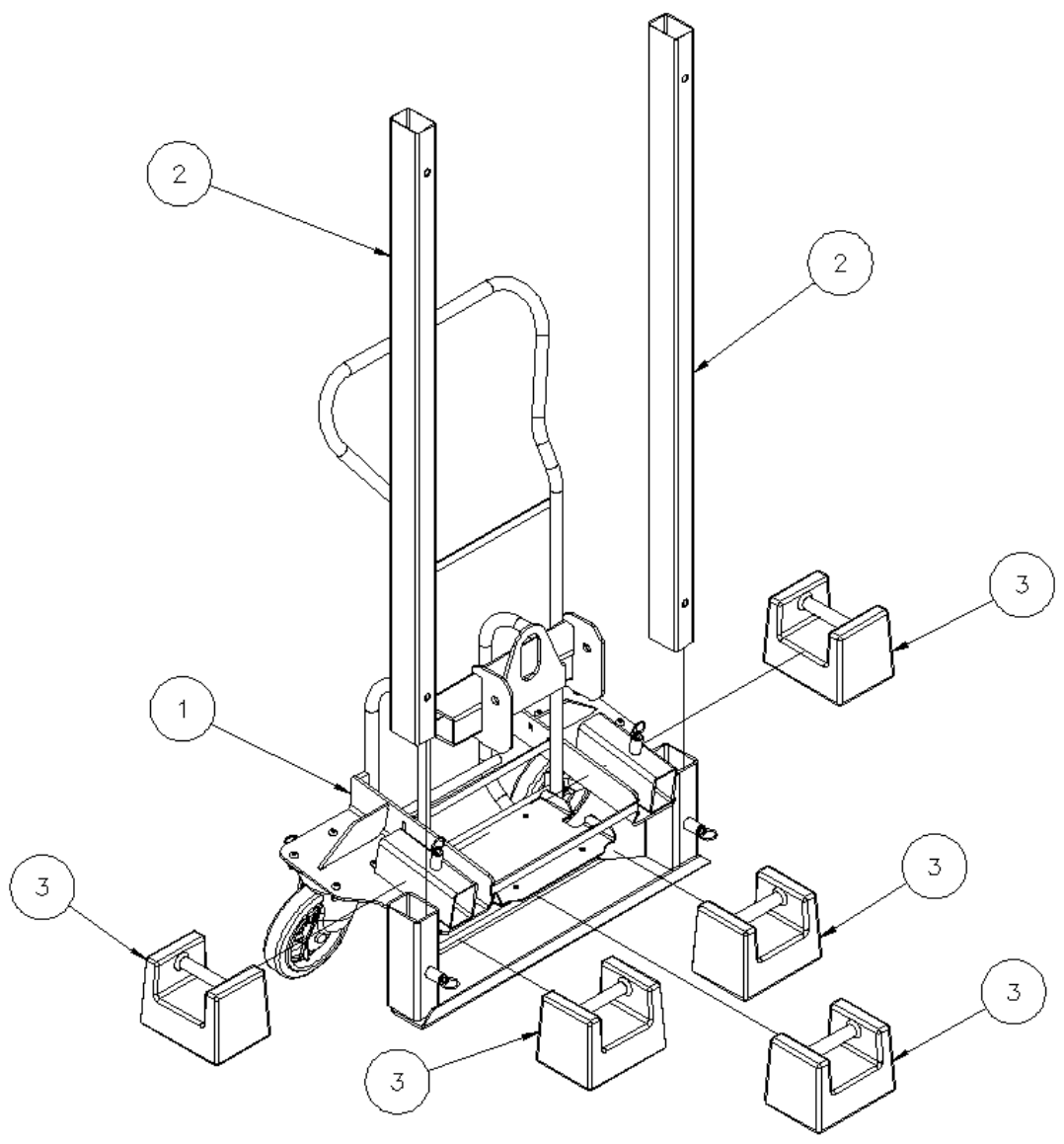
CB LIFT & CART ASSEMBLY

- 786510 – 2510 CB LIFT & CART ASSEMBLY GALVANIZED
- 786511 – 2515 CB LIFT & CART ASSEMBLY GALVANIZED
- 786512 – 2520 CB LIFT & CART ASSEMBLY GALVANIZED
- 786513 – 2525 CB LIFT & CART ASSEMBLY GALVANIZED



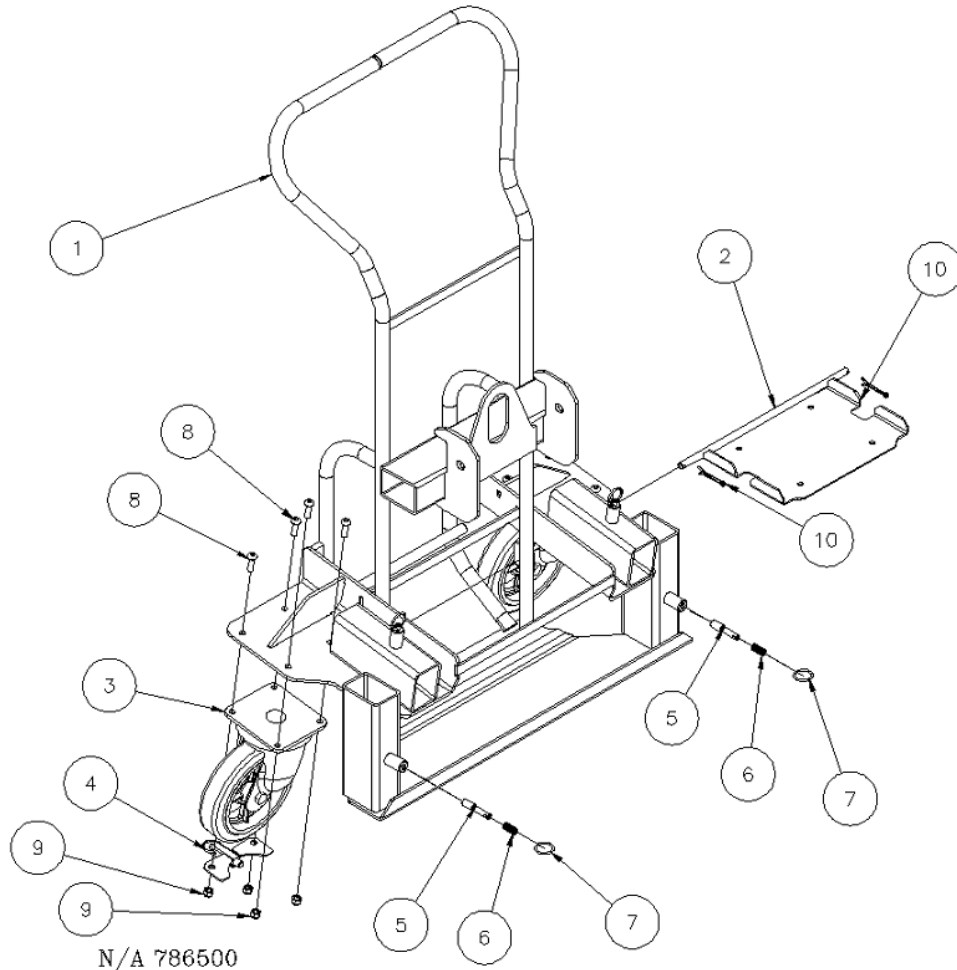
5	786603	1	CART ASSY W/WEIGHTS AND BASE EXT, GALV
4	779685	5	WEIGHT, 20 KG.
3	786639	2	BASE EXTENSION, CB LIFT GALVANIZED
2	786601	1	CART ASSEMBLY, CB LIFT GALVANIZED
1	786533	1	2525 COUNTER BALANCE LIFT GALVANIZED
	786532	1	2520 COUNTER BALANCE LIFT GALVANIZED
	786531	1	2515 COUNTER BALANCE LIFT GALVANIZED
	786530	1	2510 COUNTER BALANCE LIFT GALVANIZED
Item	Part No.	Qty	Description
Parts List			

786603 – CART ASSY. W/ WEIGHTS & EXT. TUBE



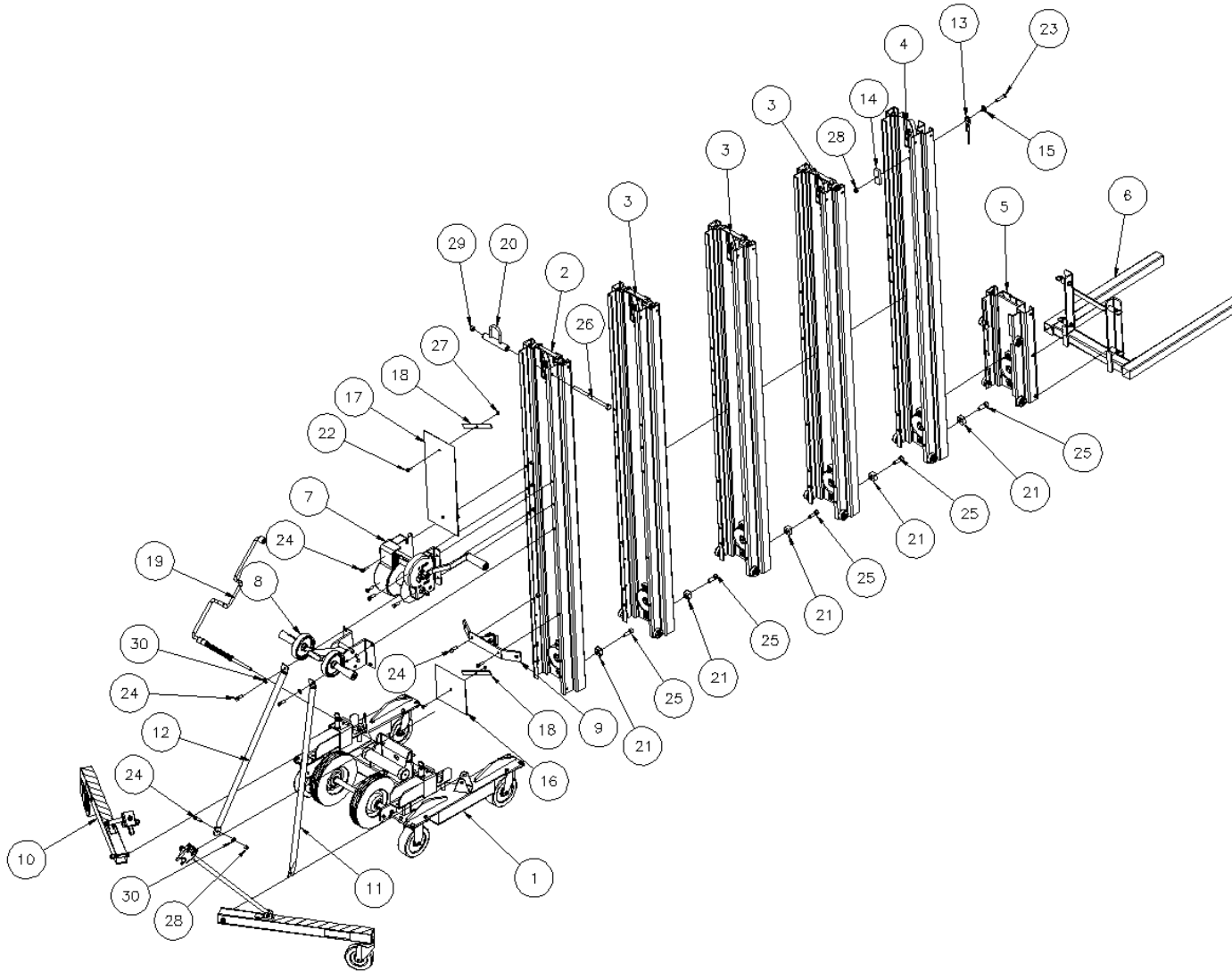
3	779685	5	WEIGHT, 20 KG.
2	786639	2	BASE EXTENSION, CB LIFT GALVANIZED
1	786601	1	CART ASSEMBLY, CB LIFT GALVANIZED
Item	Part No.	Qty	Description
Parts List			

786601 - CART ASSEMBLY, CB LIFT



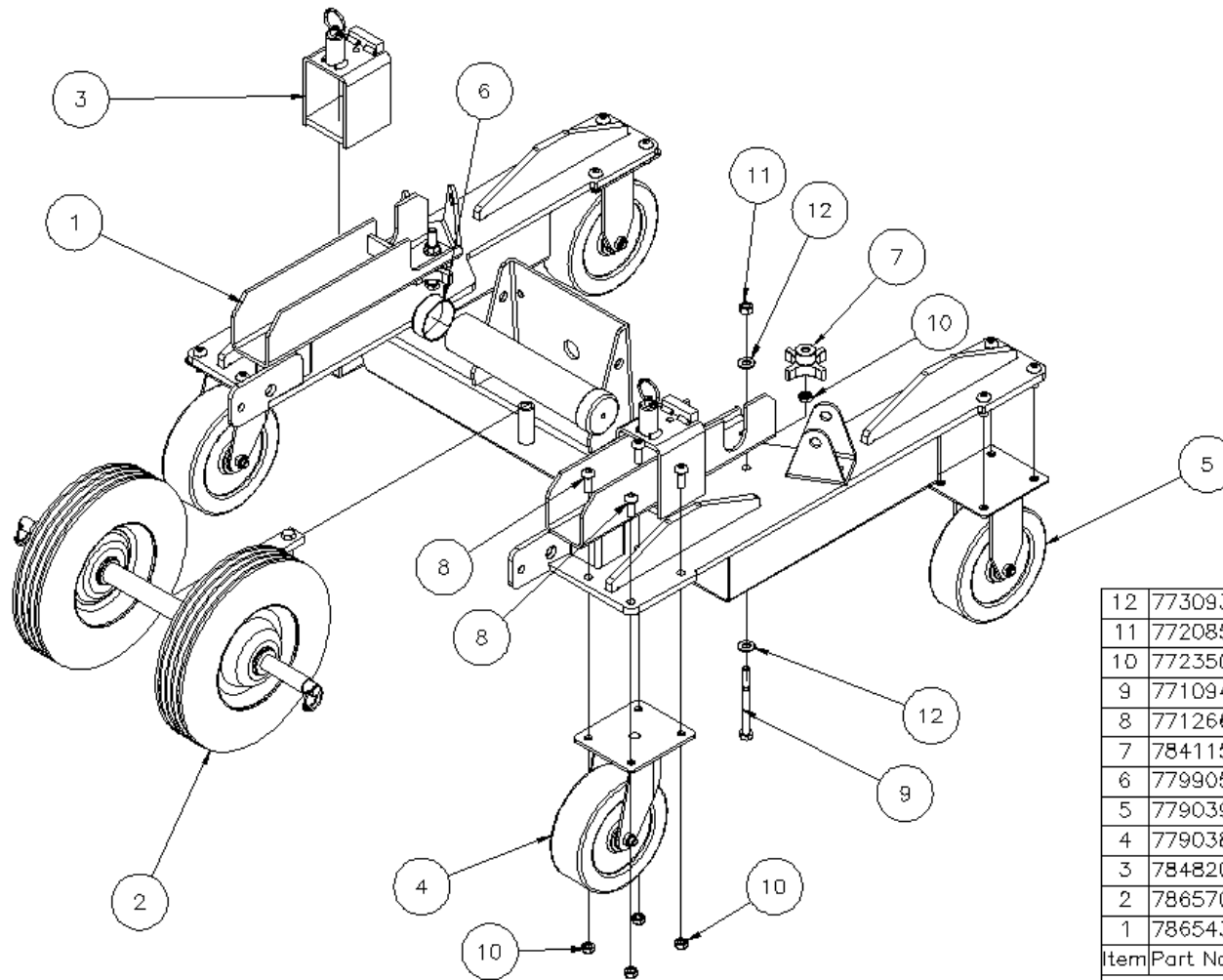
10	774049	2	PIN, COTTER BRASS 3/16 X 1-1/2
9	772355	8	NUT, INSERT LOCK 3/8-16
8	771267	8	SCREW, BHC 3/8-16 X 1-1/4
7	775110	4	SPLIT RING, 1-1/4" NICKLE PLATED
6	776212	4	SPRING, #DWC-042-G-9
5	782510	4	PLUNGER
4	785350	2	SWIVEL LOCK ASSEMBLY
3	779046	2	CASTER, SWIVEL W/SIDE BRAKE 8 X 2
2	786630	1	WEIGHT TRAY WELDMENT, CB CART GALVANIZED
1	786605	1	CART WELDMENT, CB LIFT GALVANIZED
Item	Part No.	Qty	Description
Parts List			

COUNTER BALANCE LIFT



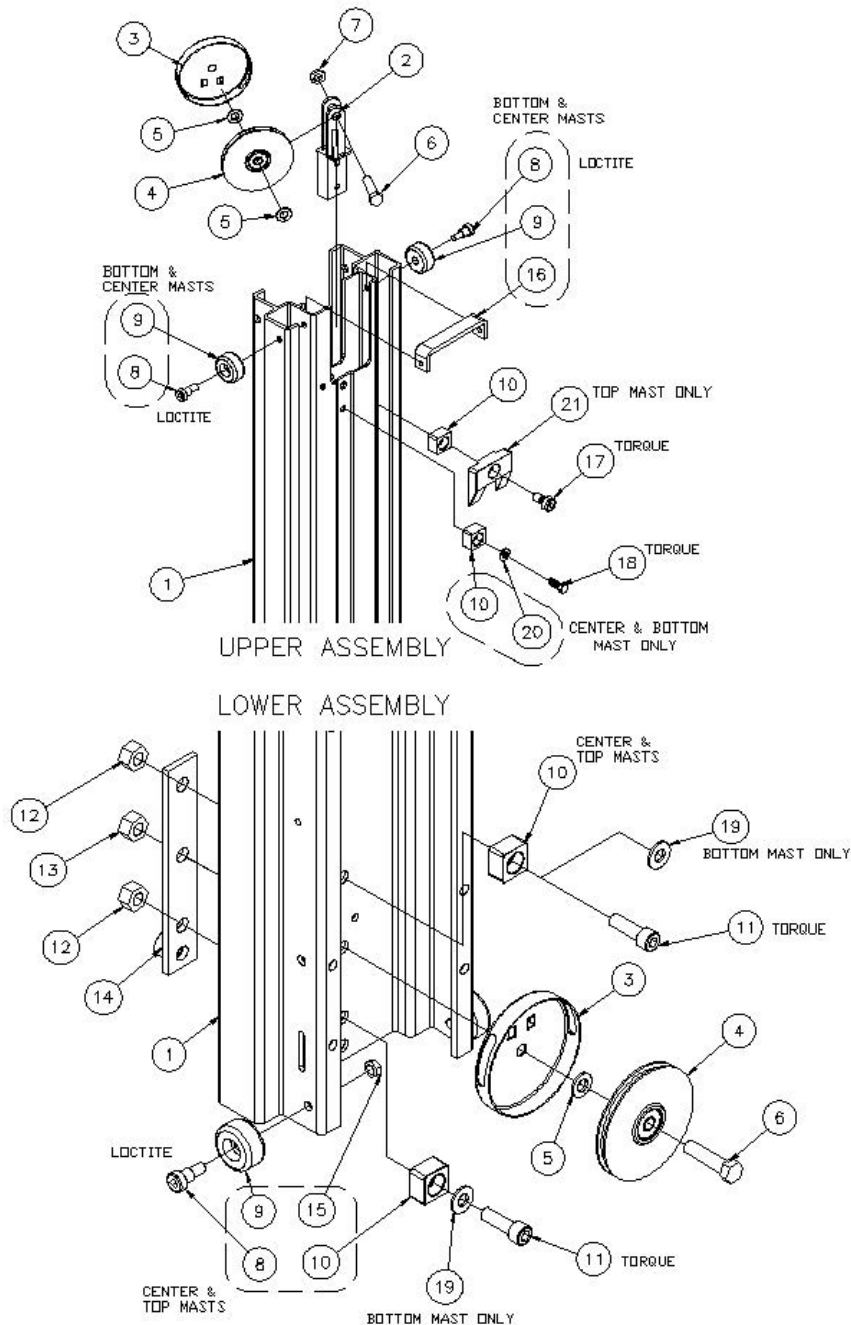
30	773040	4	WASHER, FLAT 3/8 USS
29	772357	1	NUT, INSERT LOCK 1/2-13
28	772355	15	NUT, INSERT LOCK 3/8-16
27	772502	3	NUT, INSERT JAM 5/16-18
26	771151	1	SCREW, HHC 1/2-13 X 8-1/2
	771257	5	SCREW, SHC 1/2-13 X 1-1/2 (2525 MODEL)
25	771257	4	SCREW, SHC 1/2-13 X 1-1/2 (2520 MODEL)
	771257	3	SCREW, SHC 1/2-13 X 1-1/2 (2515 MODEL)
	771257	2	SCREW, SHC 1/2-13 X 1-1/2 (2510 MODEL)
24	771060	14	SCREW, HHC 3/8-16 X 1-1/4
23	771248	1	SCREW, FHSC 3/8-16 X 2
22	771239	3	SCREW, BHC 5/16-18 X 7/8
	783575	5	STOP BLOCK (2525 MODEL)
21	783575	4	STOP BLOCK (2520 MODEL)
	783575	3	STOP BLOCK (2515 MODEL)
	783575	2	STOP BLOCK (2510 MODEL)
20	786585	1	LIFTING HOOK WELDMENT, CB LIFT
19	783040	1	MAST HOLD DOWN ASSY, BAR TYPE
18	783545	3	STRAP
17	783813	1	MAST COVER - TOP, EVENTER
16	783504	1	MAST COVER - BOTTOM
15	782910	1	ROPE RET. WASHER 715/720
14	783551	1	LOCK BLOCK
	783856	1	LOAD LINE ASSY, 2025 LIFT
13	783887	1	LOAD LINE ASSY, 2020 LIFT
	783834	1	LOAD LINE ASSY, 2015 LIFT
	783886	1	LOAD LINE ASSY, 2010 LIFT
12	780820	1	MAST BRACE, RIGHT 2000/2100
11	780819	1	MAST BRACE, LEFT 2000/2100
10	783959	1	OUTRIGGER ASSEMBLY 2000/2100 LIFTS GALV
9	783582	1	SPREADER PLATE ASSEMBLY
8	786575	1	HANDLE ASSEMBLY, CB LIFT
7	785380	1	WINCH ASSEMBLY, 2-SPEED
6	786564	1	FORK ASSEMBLY, CB LIFT GALVANIZED
5	783533	1	CARRIAGE ASSEMBLY
4	783826	1	TOP MAST ASSEMBLY - HD
	783825	3	CENTER MAST ASSEMBLY - HD (2525 MODEL)
3	783825	2	CENTER MAST ASSEMBLY - HD (2520 MODEL)
	783825	1	CENTER MAST ASSEMBLY - HD (2515 MODEL)
2	783824	1	BOTTOM MAST ASSEMBLY - HD
1	786541	1	BASE ASSEMBLY, CB LIFT GALVANIZED
Item	Part No.	Qty	Description
Parts List			

786541 - BASE ASSEMBLY



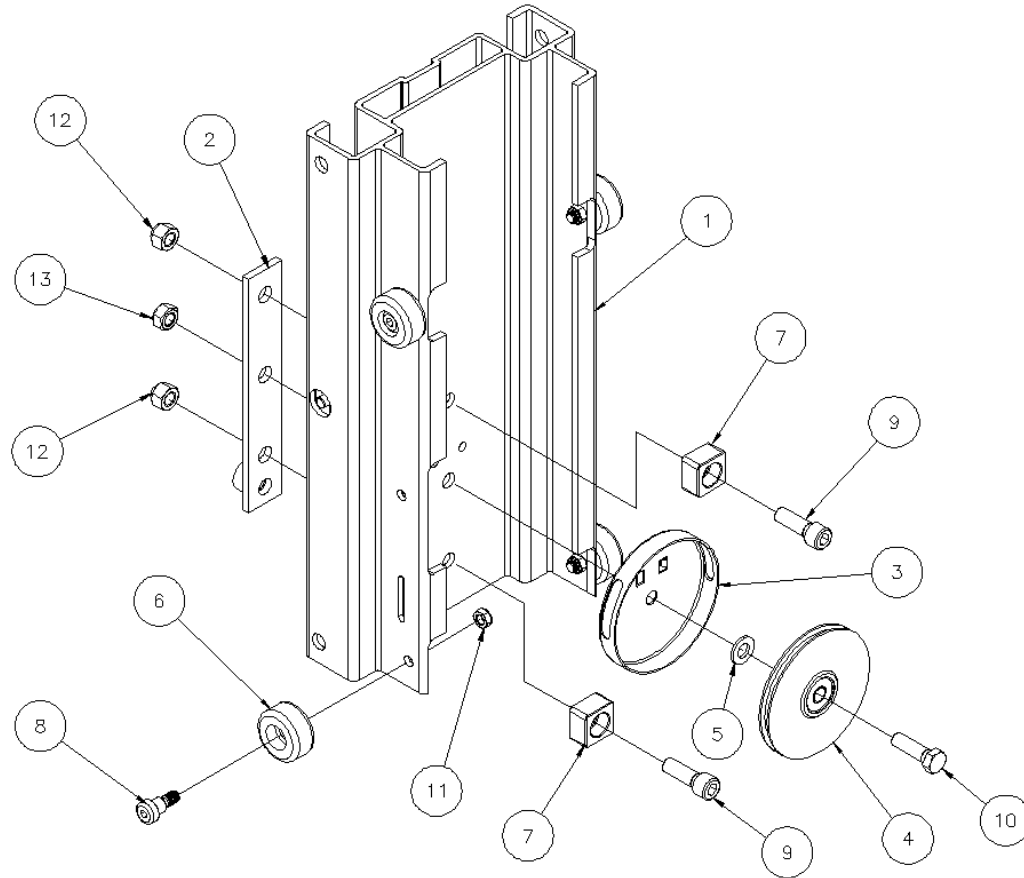
12	773093	4	WASHER, FLAT 3/8 SAE
11	772085	2	NUT, HEX 3/8-16
10	772350	18	NUT, INSERT JAM 3/8-16
9	771094	2	SCREW, HHC 3/8-16 C 3-1/2 FULL TH'D.
8	771266	16	SCREW, BHC 3/8-16 X 1
7	784115	2	KNOB, 3/8-16 TH'D.
6	779905	2	CAP, 2" OD TUBE, BLACK
5	779039	2	CASTER, 6" RIGID - TAINER MAC
4	779038	2	CASTER, 6" SWIVEL - TAINER MAC
3	784820	2	LEG LOCK ASSEMBLY, 2412 LIFT
2	786570	1	10" WHEEL KIT, CB LIFT
1	786543	1	BASE WELDMENT, CB LIFT GALVANIZED
Item	Part No.	Qty	Description
Parts List			

MAST ASSEMBLY



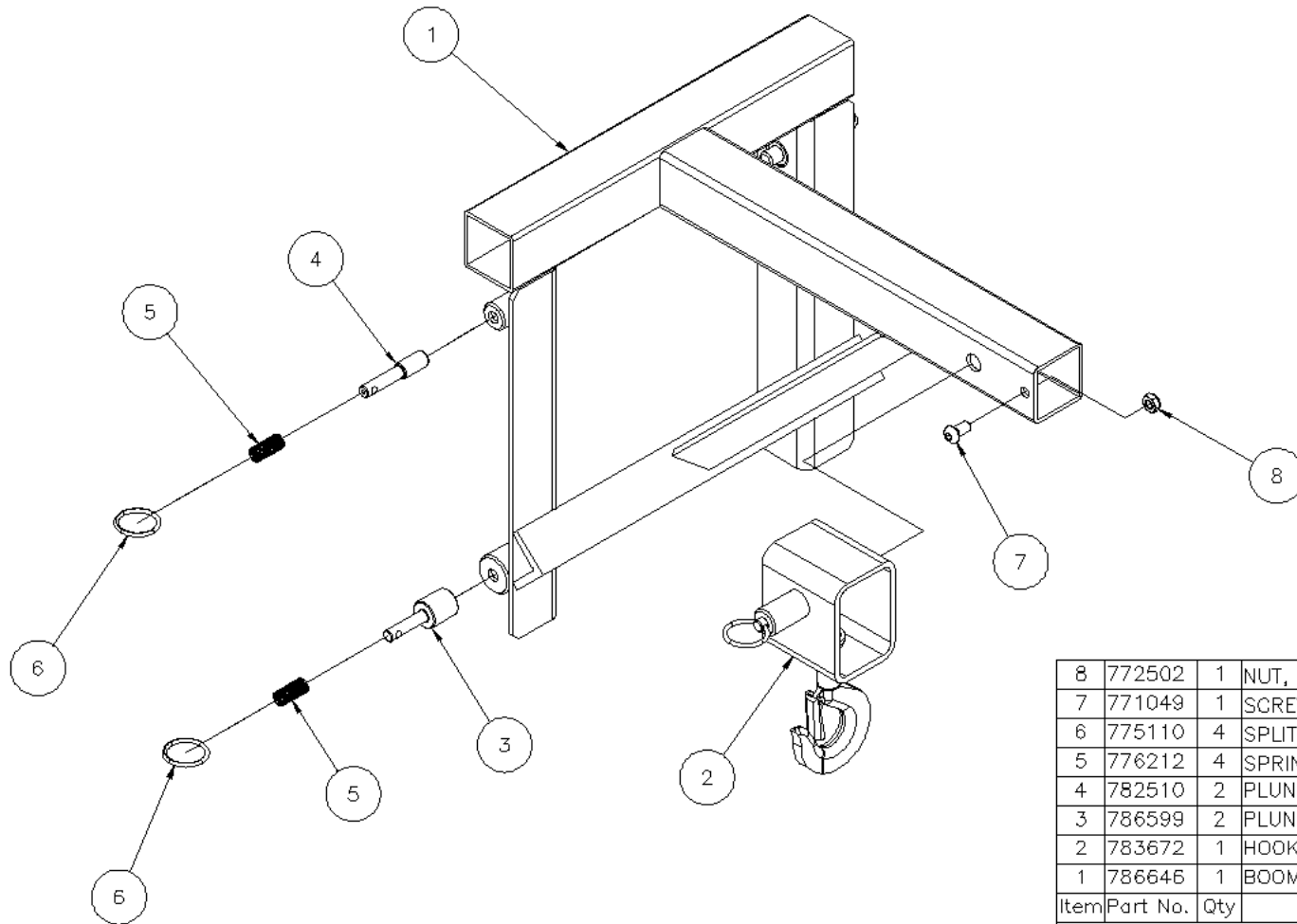
21	783694	*	STOP BLOCK WEDGE
20	773022	*	WASHER, FLAT 3/8 HARDENED
19	773060	*	FLAT WASHER 1/2
18	771107	1	SCREW, HHC 3/8-16 X 1
17	771258	1	SCREW, SHC 1/2-13 X 1
16	783849	*	TOP REINFORCEMENT BRACKET
15	772350	*	INSERT JAM LOCK NUT 3/8UNC
14	783503	1	BACKING PLATE WELDMENT
13	772800	1	INSERT LOCK NUT 12mm
12	772357	2	INSERT LOCK NUT 1/2UNC
11	771257	2	SHCS 1/2UNC X 1-1/2
10	783575	*	MAST STOP BLOCK
9	783540	*	MAST ROLLER
8	771350	*	SHOULDER BOLT 1/2 x 1/2
7	772505	1	JAM LOCK NUT 12mm
6	771161	2	HEX HEAD BOLT 12mm X 40mm
5	773096	3	WASHER, FLAT M12
4	783812	2	PULLEY ASSEMBLY
3	783536	2	PULLEY GUARD
2	783537	1	PULLEY MOUNT
1	783808	1	MAST
Item	Part No.	Qty	Description
Parts List			

786594 - CARRIAGE ASSEMBLY



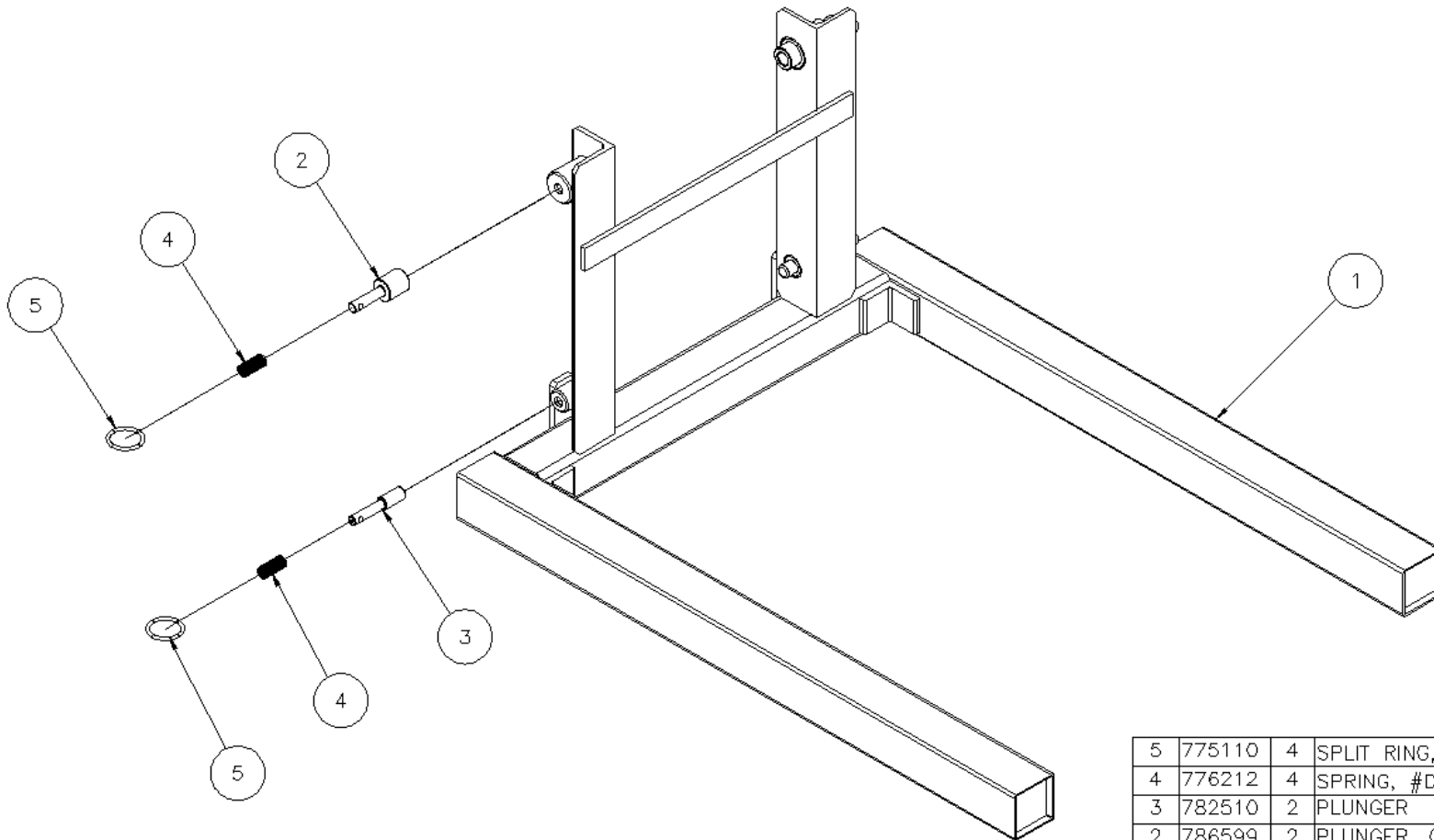
13	782800	1	NUT, INSERT LOCK M12
12	772357	2	NUT, INSERT LOCK 1/2-13
11	772350	4	NUT, INSERT JAM 3/8-16
10	711161	1	SCREW, HHC M12-1.75 X 40
9	771257	2	SCREW, SHC 1/2-13 X 1-1/2
8	771350	4	SCREW, SHOULDER 1/2 X 1/2
7	783575	2	STOP BLOCK
6	783540	4	MAST ROLLER
5	773096	1	WASHER, FLAT M12
4	783812	1	PULLEY ASSEMBLY, ALUMINUM
3	783536	1	PULLEY GUARD
2	783503	1	BACKING PLATE WELDMENT
1	786595	1	CARRIAGE WELDMENT, CB LIFT
Item	Part No.	Qty	Description
Parts List			

786645 - BOOM ASSEMBLY



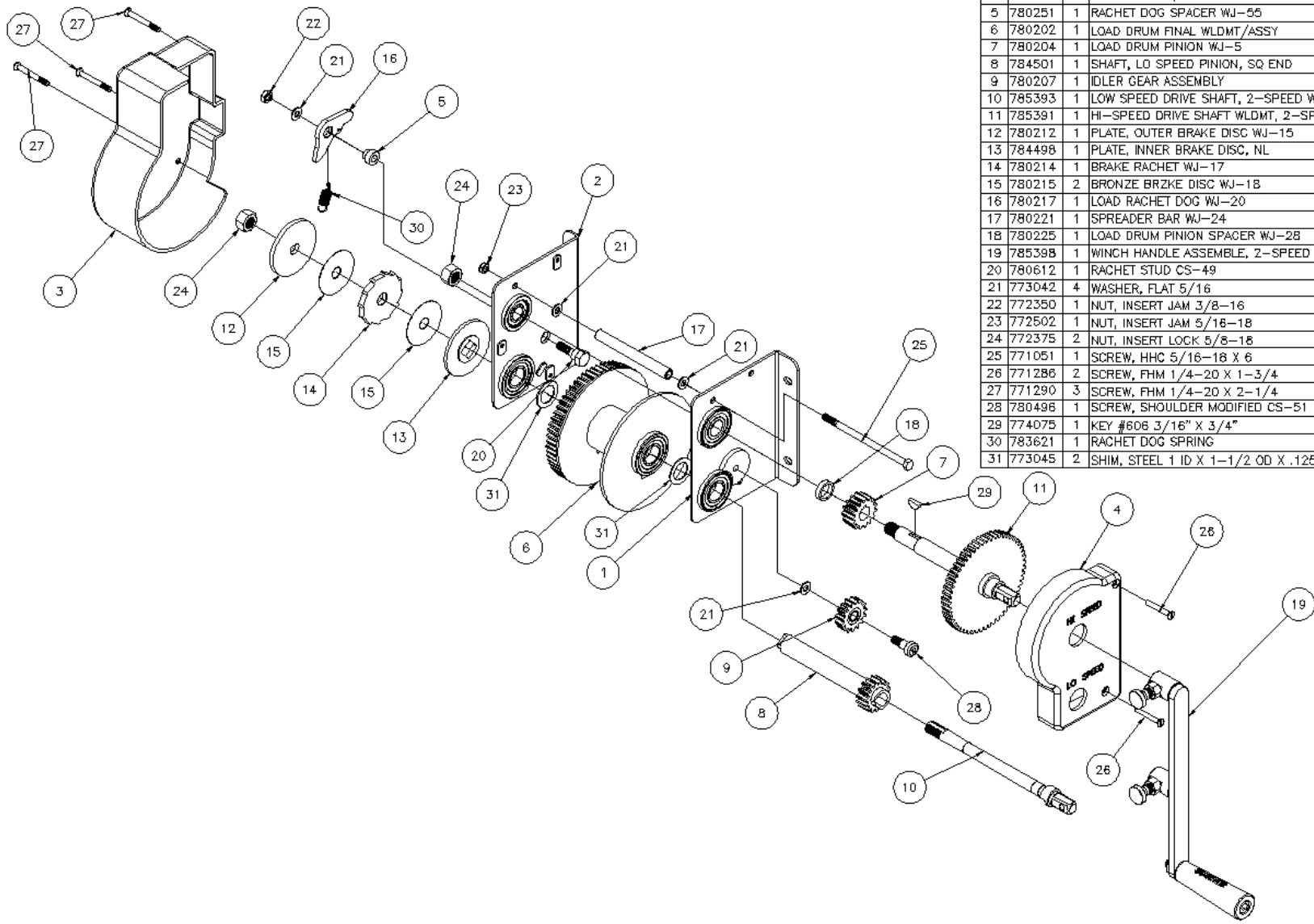
8	772502	1	NUT, INSERT JAM 5/16-18
7	771049	1	SCREW, BHC 5/16-18 X 5/8
6	775110	4	SPLIT RING, 1-1/4" NICKLE PLTD.
5	776212	4	SPRING, #DWC-042-G-9
4	782510	2	PLUNGER
3	786599	2	PLUNGER, CB LIFT
2	783672	1	HOOK BLOCK ASSEMBLY
1	786645	1	BOOM WELDMENT, CB LIFT
Item	Part No.	Qty	Description
Parts List			

786564 - FORK ASSEMBLY, CB LIFT



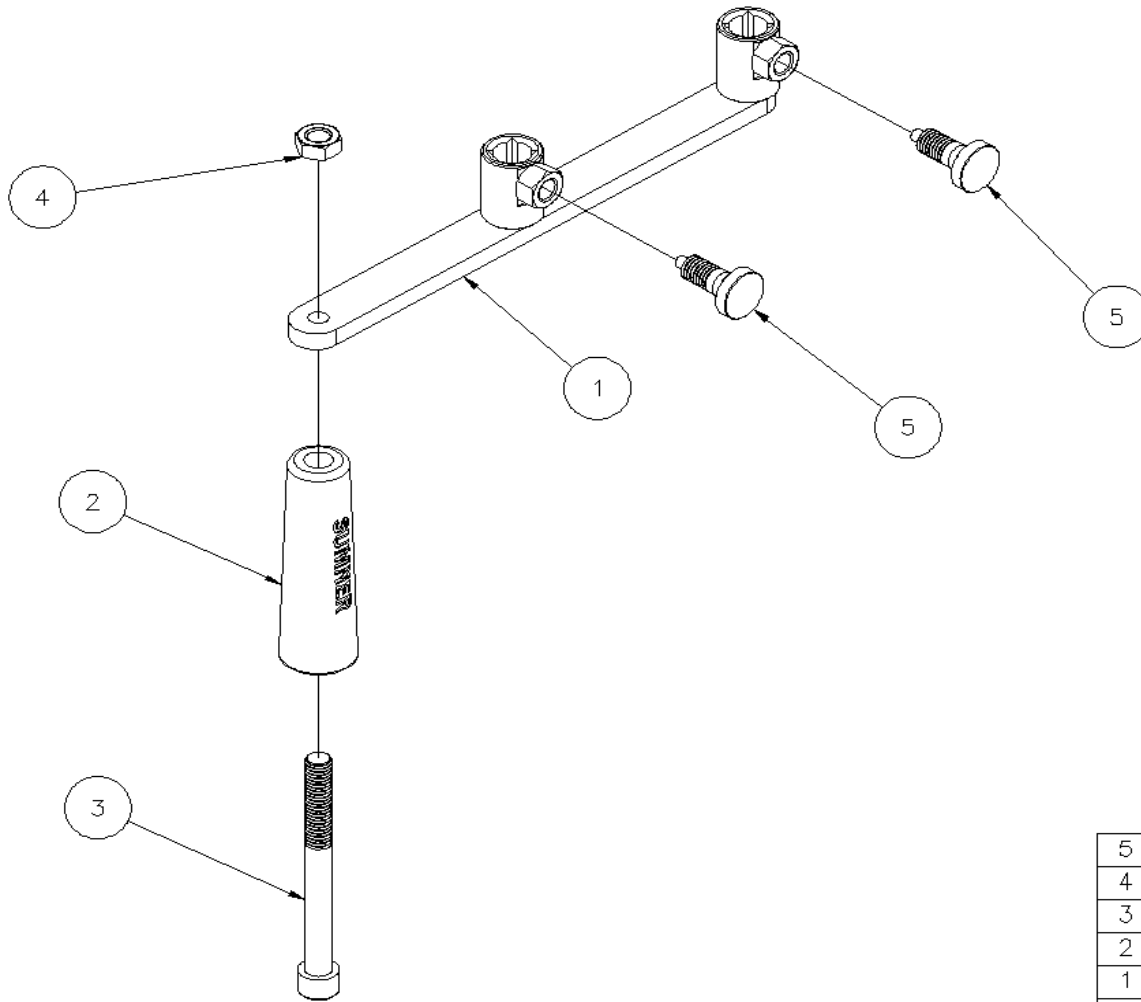
5	775110	4	SPLIT RING, 1-1/4" NICKLE PLTD
4	776212	4	SPRING, #DWC-042-G-9
3	782510	2	PLUNGER
2	786599	2	PLUNGER, CB LIFT
1	786567	1	FORK WELDMENT, CB LIFT GALVANIZED
Item	Part No.	Qty	Description
Parts List			

785380 - WINCH ASSEMBLY, 2-SPEED



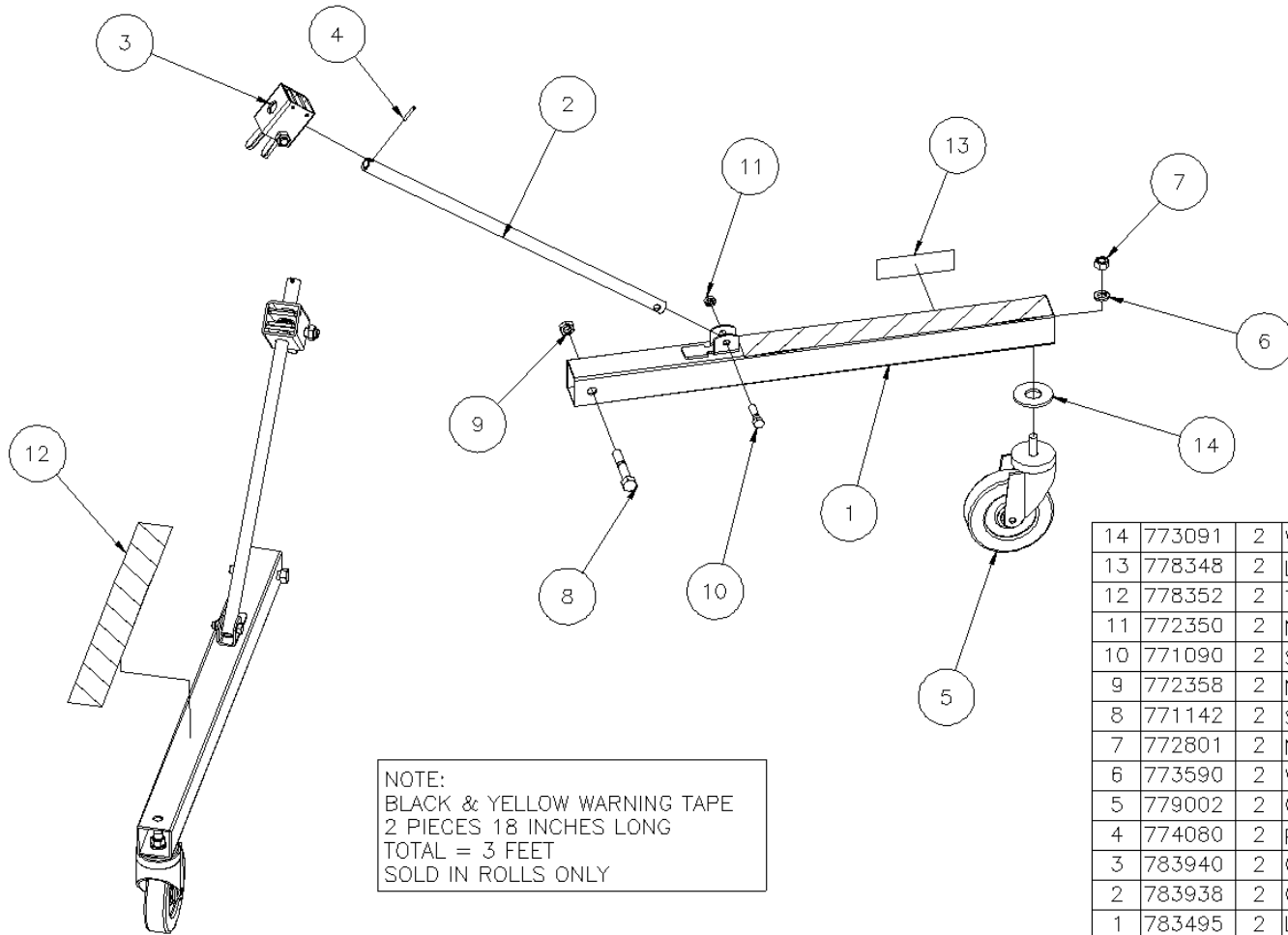
Parts List			
Item	Part No.	Qty	Description
1	785381	1	SIDE PLATE ASSEMBLY - LH, WINCH 2-SPEED
2	785382	1	SIDE PLATE ASSEMBLY - RH, WINCH 2-SPEED
3	785395	1	WINCH COVER, RH WINCH 2-SPEED
4	785396	1	WINCH COVER, LH WINCH 2-SPEED
5	780251	1	RACHET DOG SPACER WJ-55
6	780202	1	LOAD DRUM FINAL WLDMT/ASSY
7	780204	1	LOAD DRUM PINION WJ-5
8	784501	1	SHAFT, LO SPEED PINION, SQ END
9	780207	1	IDLER GEAR ASSEMBLY
10	785393	1	LOW SPEED DRIVE SHAFT, 2-SPEED WINCH
11	785391	1	HI-SPEED DRIVE SHAFT WLDMT, 2-SPEED WINCH
12	780212	1	PLATE, OUTER BRAKE DISC WJ-15
13	784498	1	PLATE, INNER BRAKE DISC, NL
14	780214	1	BRAKE RACHET WJ-17
15	780215	2	BRONZE BRZKE DISC WJ-18
16	780217	1	LOAD RACHET DOG WJ-20
17	780221	1	SPREADER BAR WJ-24
18	780225	1	LOAD DRUM PINION SPACER WJ-28
19	785398	1	WINCH HANDLE ASSEMBLE, 2-SPEED WINCH
20	780612	1	RACHET STUD CS-49
21	773042	4	WASHER, FLAT 5/16
22	772350	1	NUT, INSERT JAM 3/8-16
23	772502	1	NUT, INSERT JAM 5/16-18
24	772375	2	NUT, INSERT LOCK 5/8-18
25	771051	1	SCREW, HHC 5/16-18 X 6
26	771288	2	SCREW, FHM 1/4-20 X 1-3/4
27	771290	3	SCREW, FHM 1/4-20 X 2-1/4
28	780496	1	SCREW, SHOULDER MODIFIED CS-51
29	774075	1	KEY #606 3/16" X 3/4"
30	783621	1	RACHET DOG SPRING
31	773045	2	SHIM, STEEL 1 ID X 1-1/2 OD X .125 THK.

785398 – WINCH HANDLE ASSEMBLY 2 - SPEED, CB LIFT



5	774180	2	SPRING PLUNGER, 1/4 DIA.
4	772358	1	NUT, INSERT JAM 1/2-13
3	771254	1	SCREW, SHC 1/2-13 x 5
2	780182	1	WINCH HANDLE SLEEVE
1	785399	1	WINCH HANDLE WELDMENT, 2-SPEED WINCH
Item	Part No.	Qty	Description
Parts List			

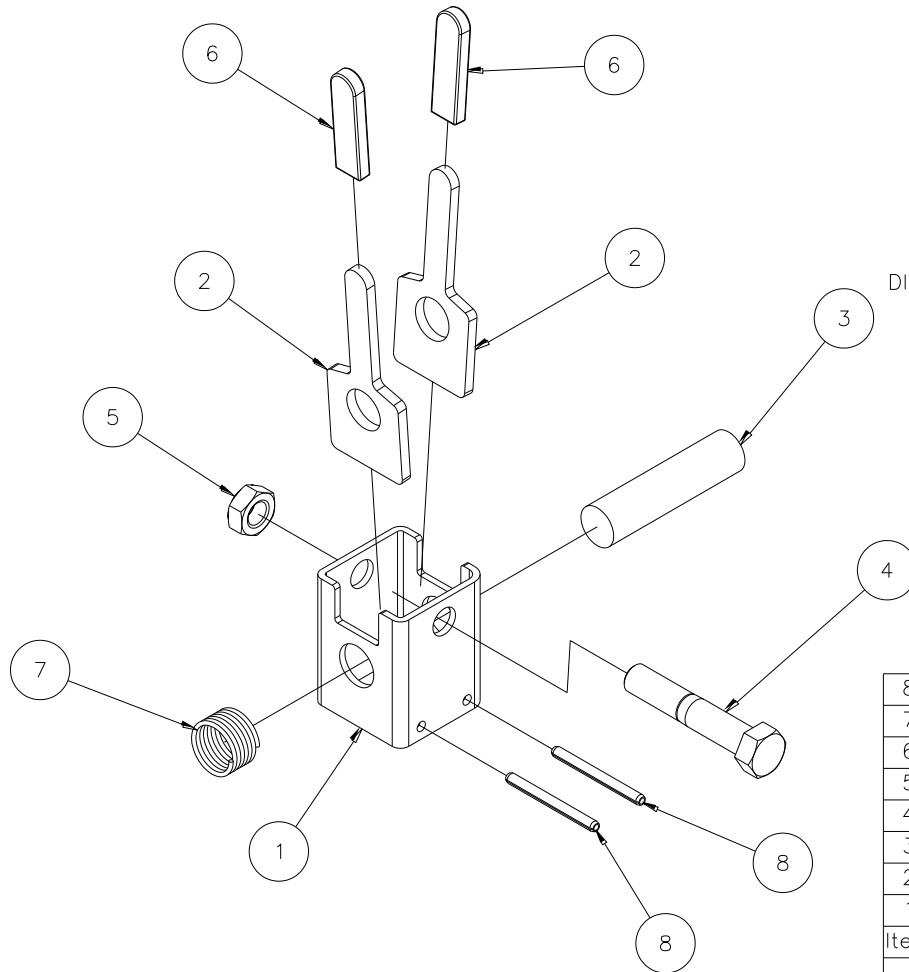
783939 – OUTRIGGER ASSEMBLY



NOTE:
 BLACK & YELLOW WARNING TAPE
 2 PIECES 18 INCHES LONG
 TOTAL = 3 FEET
 SOLD IN ROLLS ONLY

14	773091	2	WASHER, FLAT 7/8" USS PLT'D.
13	778348	2	LABEL, LOWER STAB'LZR LEGS
12	778352	2	TAPE, 2" B/Y CAUTION STRIPE
11	772350	2	NUT, INSERT JAM 3/8-16
10	771090	2	SCREW, HHC 3/8-16 X 1-1/2
9	772358	2	NUT, INSERT JAM 1/2-13
8	771142	2	SCREW, HHC 1/2-13 X 3
7	772801	2	NUT, HEX 12MM PLT'D.
6	773590	2	WASHER, LOCK 1/2"
5	779002	2	CASTER, 125 X 32 12MM STEM
4	774080	2	PIN, ROLL 3/16 X 1
3	783940	2	OUTRIGGER LOCK ASSEMBLY
2	783938	2	OUTRIGGER SUPPORT TUBE, 2500
1	783495	2	LEG WELDMENT, OUTRIGGER GALV
Item	Part No.	Qty	Description
Parts List			

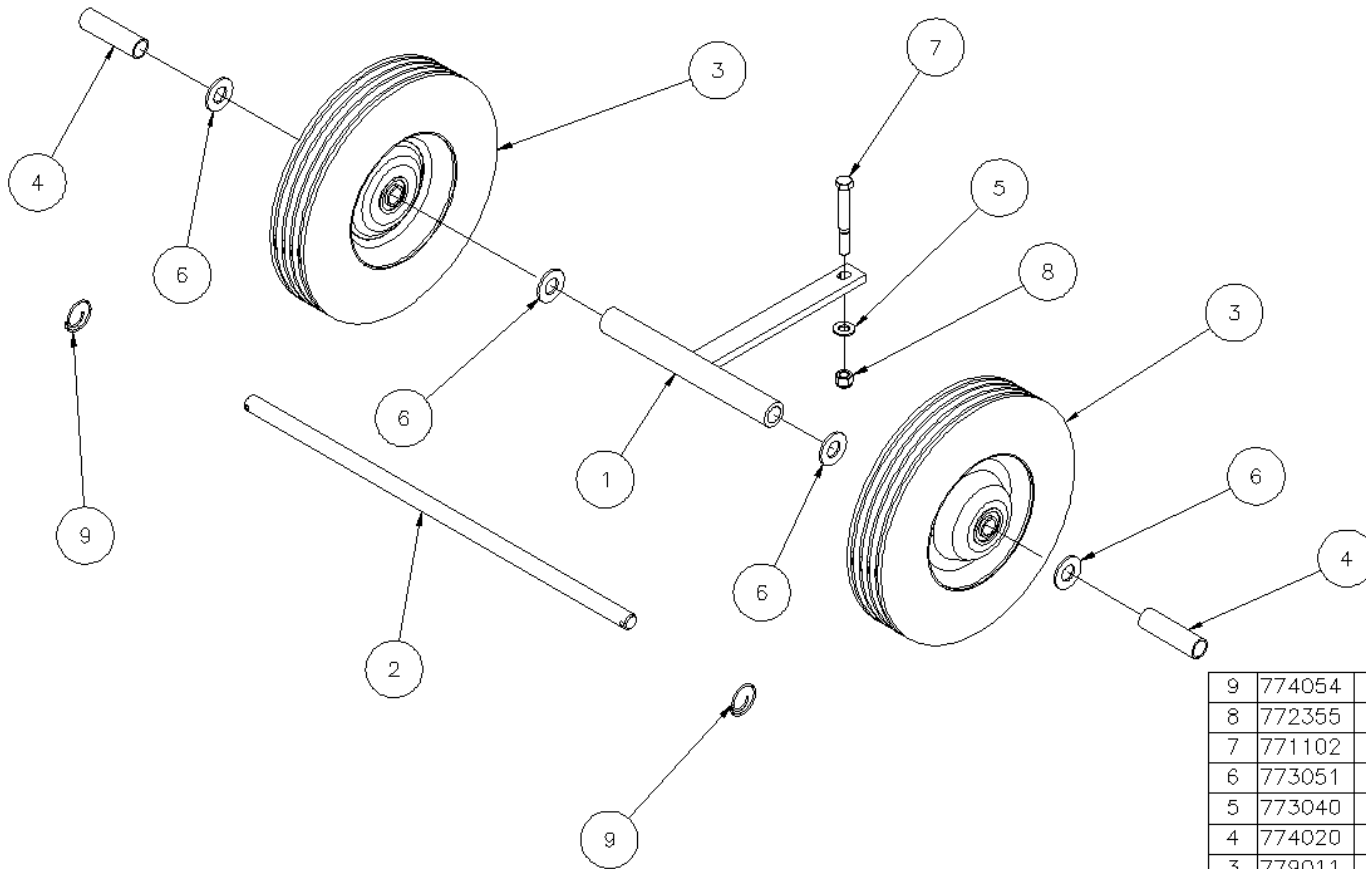
783940 - OUTRIGGER LOCKS



DISCARD ITEM #3 ONCE THE OUTRIGGER LOCK ASSEMBLY IS IN PLACE ON THE OUTRIGGER SUPPORT TUBE

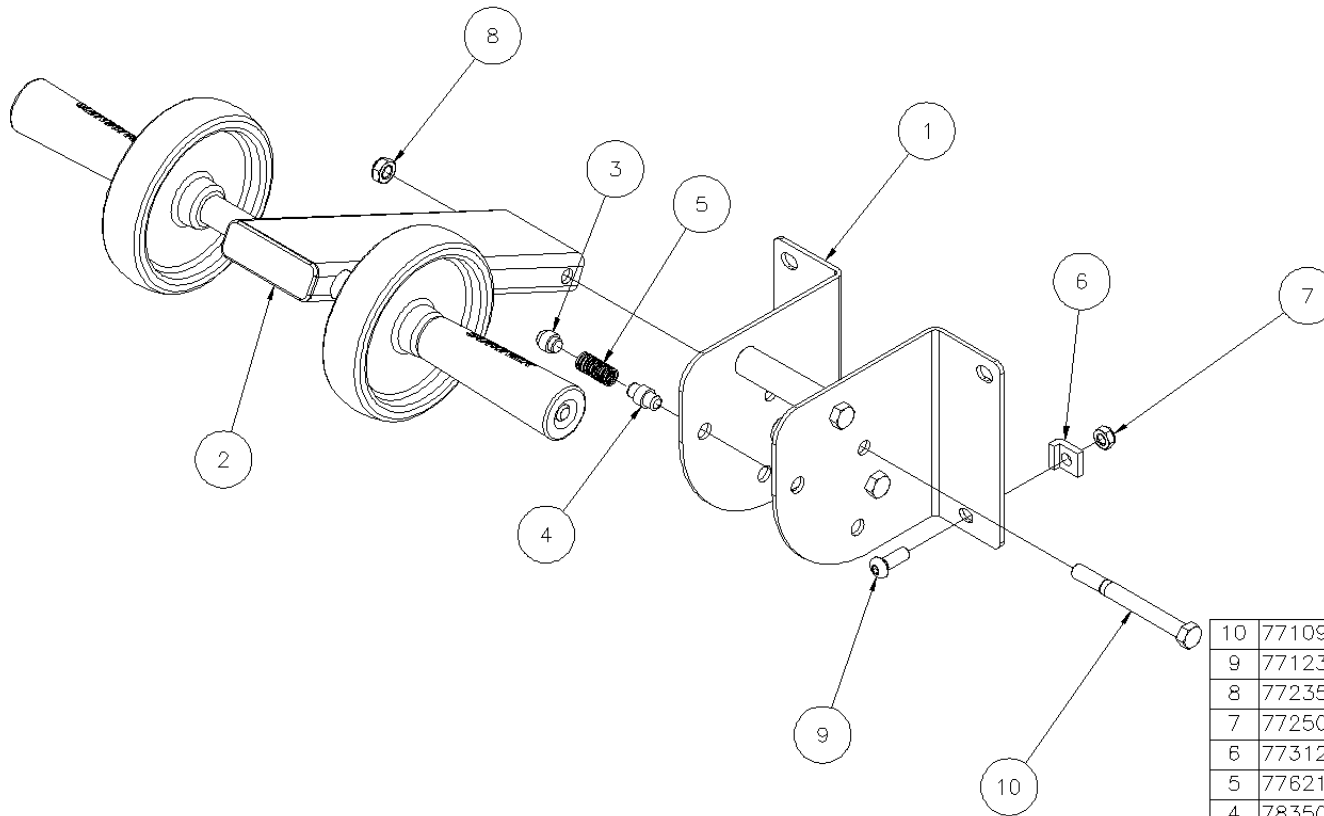
8	774084	2	PIN, ROLL 3/16 X 2
7	776221	1	SPRING, CENTURY #2952
6	779938	2	CAP, RECT RD END 3/16 X 1/2 X 2
5	772358	1	NUT, INSERT JAM 1/2-13
4	771141	1	SCREW, HHC 1/2-13 X 2-3/4
3	783944	1	OUTRIGGER SUPPORT TUBE STUB
2	783942	2	OUTRIGGER LOCK FINGER
1	783941	1	OUTRIGGER LOCK TUBE
Item	Part No.	Qty	Description
Parts List			

786570 - 10" WHEEL KIT, CB LIFT



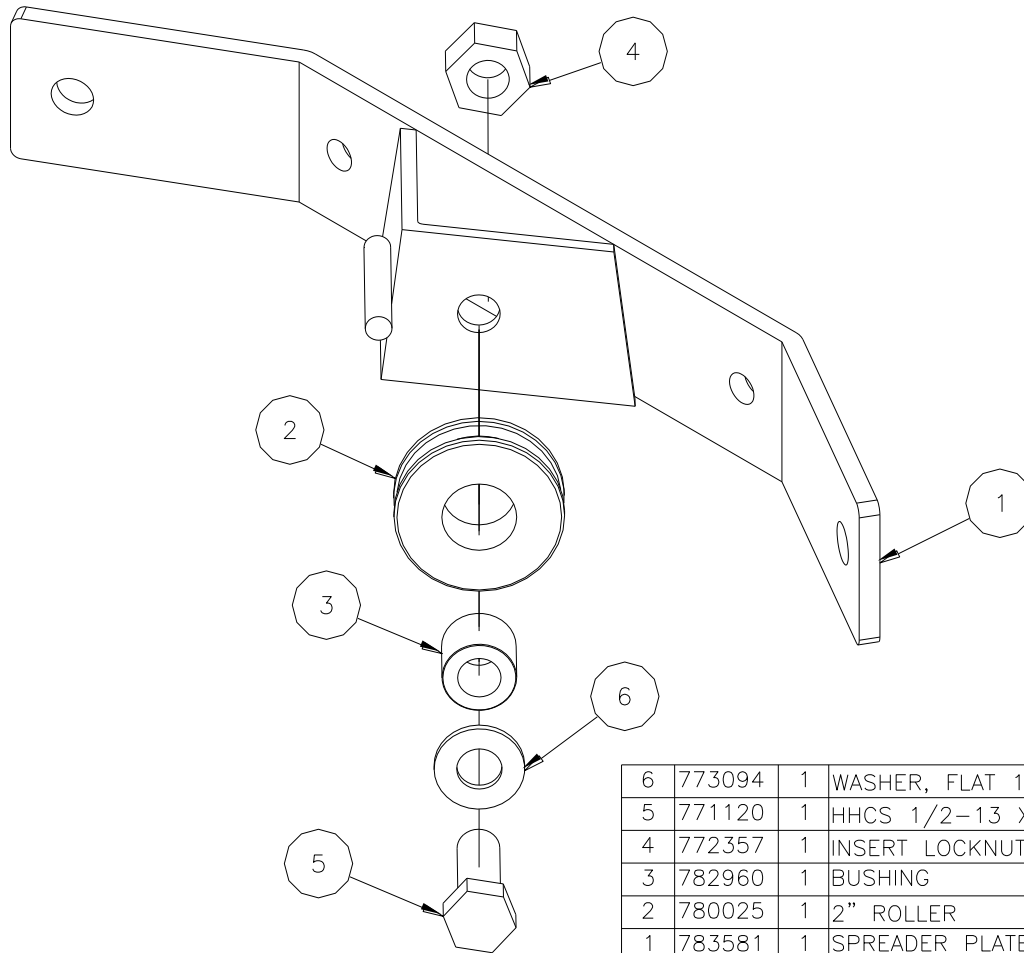
9	774054	2	COTTER, CIRCLE Z/P .072 X 1-1/8
8	772355	1	NUT, INSERT LOCK 3/8-16
7	771102	1	SCREW, HHC 3/8-16 X 3
6	773051	4	WASHER, FLAT 5/8 USS
5	773040	1	WASHER, FLAT 3/8 USS
4	774020	2	SPACER, BUTTITE 5/8 X 2-3/4
3	779011	2	WHEEL, 10" RUBBER TIRE
2	786574	1	AXLE, 10" WHEEL KIT, CB LIFT
1	786571	1	AXLE SUPPORT WELDMNT, CB LIFT
Item	Part No.	Qty	Description
Parts List			

786575 - HANDLE ASSEMBLY, CB LIFT



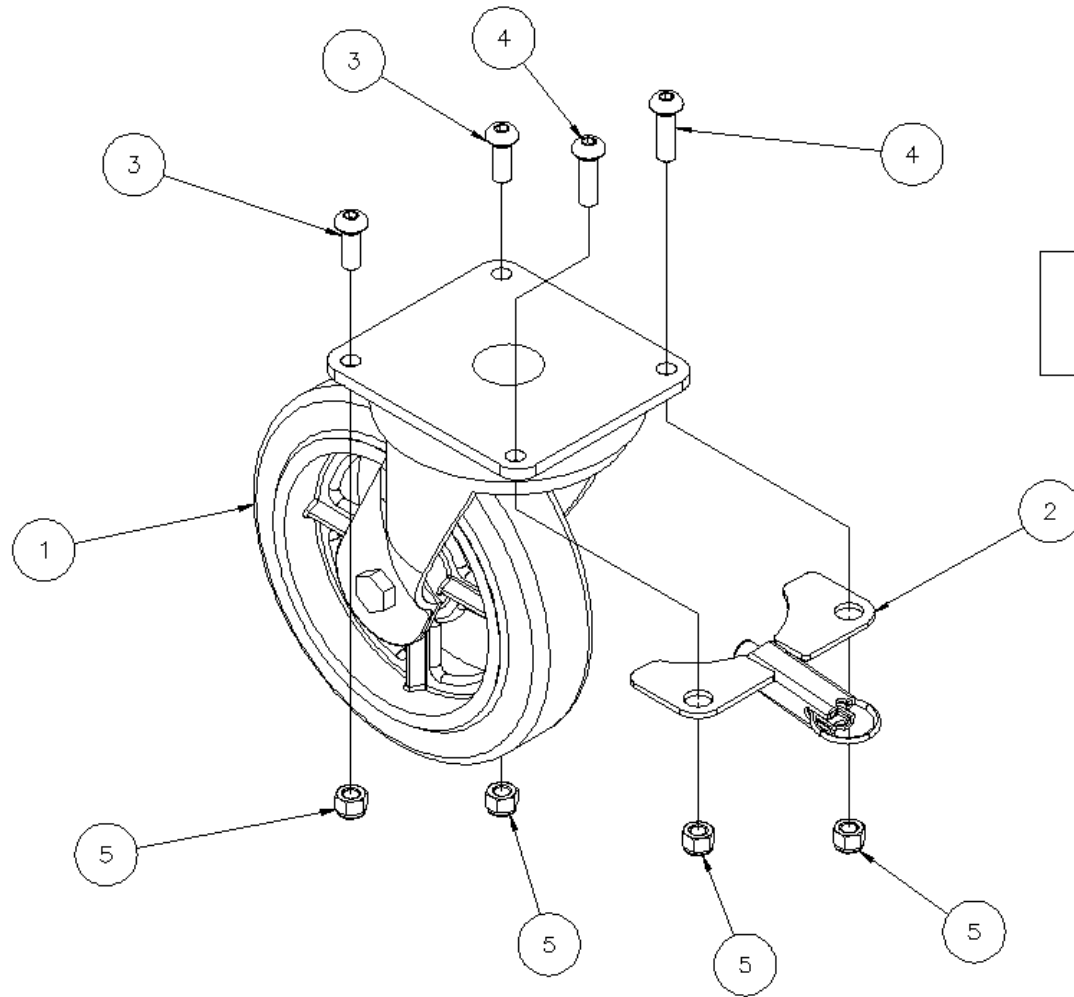
10	771098	1	SCREW, HHC 3/8-16 X 3-3/4
9	771239	2	SCREW, BHC 5/16-18 X 7/8
8	772350	1	NUT, INSERT JAM 3/8-16
7	772502	2	NUT, INSERT JAM 5/16-18
6	773120	2	CLAMP, 5/16
5	776212	1	SPRING, #DWC-042-G-9
4	783509	1	PIN, DETENT
3	783508	1	PIN, LOCATOR
2	786580	1	WHEEL HANDLE ASSEMBLY
1	786576	1	HANDLE MOUNTING PLATE ASSEMBLY
Item	Part No.	Qty	Description
Parts List			

783582 – SPREADER PLATE ASSEMBLY, CB LIFT



6	773094	1	WASHER, FLAT 1/2
5	771120	1	HHCS 1/2-13 X 1-1/2
4	772357	1	INSERT LOCKNUT 1/2-13
3	782960	1	BUSHING
2	780025	1	2" ROLLER
1	783581	1	SPREADER PLATE WELDMENT
Item	Part No.	Qty	Description
Parts List			

786635 - CASTER KIT, SWIVEL W/ SIDE BRAKE 8x2

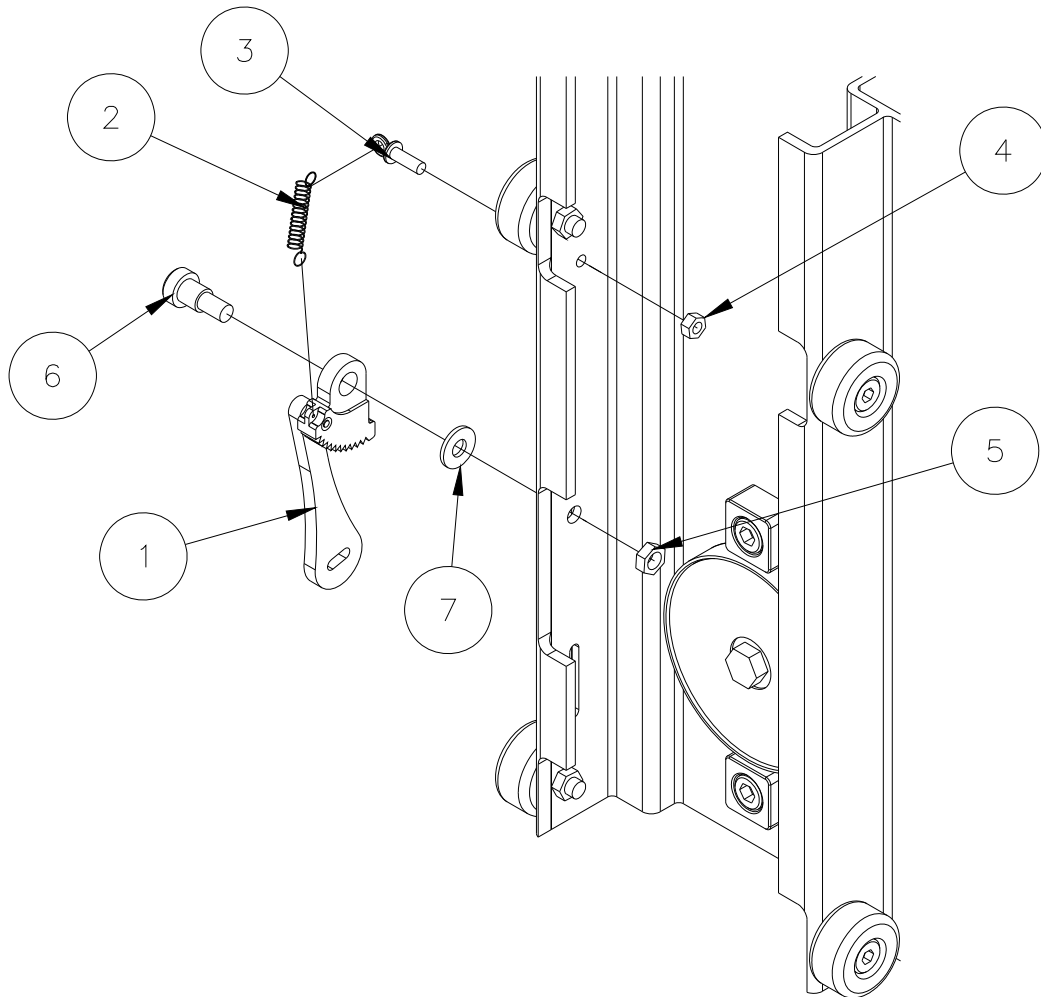


(2) CASTERS PER KIT

5	772355	8	NUT, INSERT LOCK 3/8-16
4	771267	4	SCREW, BHC 3/8-16 X 1-1/4
3	771266	4	SCREW, BHC 3/8-16 X 1
2	785350	2	SWIVEL LOCK ASSEMBLY, GANTRY CASTER
1	779046	2	CASTER, SWIVEL W/SIDE BRAKE 8 X 2
Item	Part No.	Qty	Description
Parts List			

783881 - BRAKE INSTALLATION - OPTIONAL

NOTE: WHEN ORDERING BRAKES, YOU MUST SPECIFY LIFT MODEL NUMBER



7	773042	1	5/16 FLAT WASHER
6	771350	1	SHOULDER BOLT 1/2 X 1/2
5	772350	1	INSERT JAM LOCKNUT 3/8-16
4	772076	1	INSERT LOCKNUT 1/4-20
3	779900	1	ADJUSTING SCREW
2	783530	1	EXTENSION SPRING
1	783529	1	BRAKE CAM & WEIGHT ASSEMBLY
Item	Part No.	Qty	Description
Parts List			