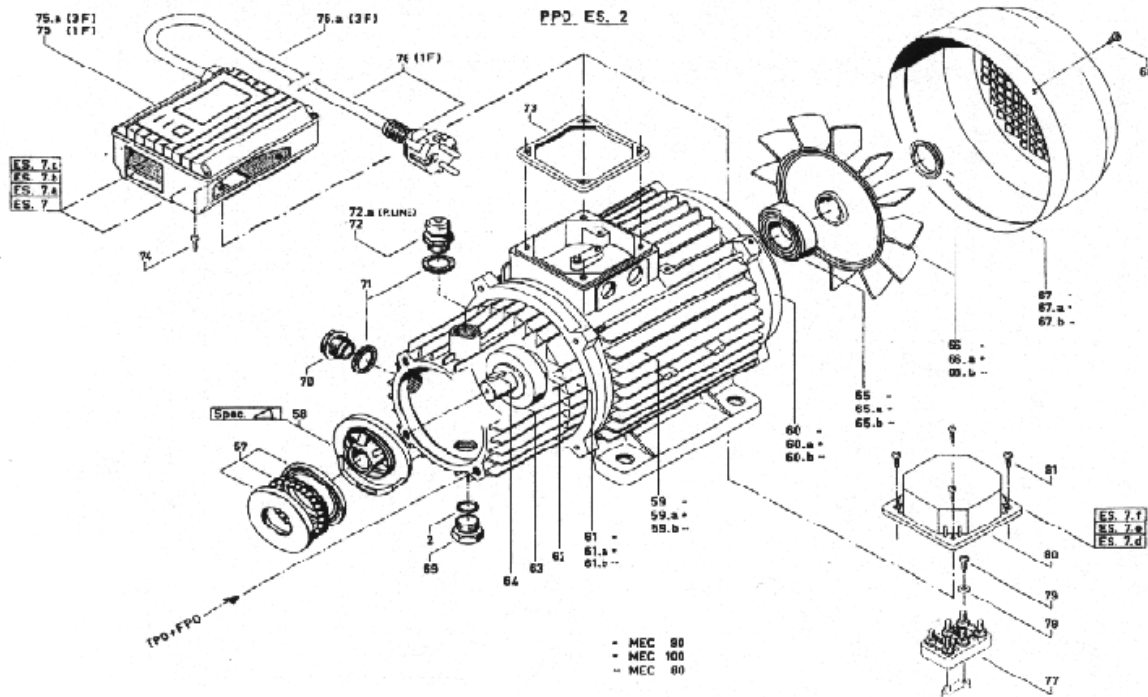


Fig. 1



SIMMM PUMP			
Ref.	Code	Description	Q.ty
1	02.001	Brass pump head	1
2	02.402	O-ring	6
2a	02.402.A	O-ring 90° Shore	6
3	02.003.4	Complete Valve (Blank)	6
4	02.007	Valve plug	5
6	02.009	Plug M8x1	1
7	02.410	O-Ring	1
8	02.011	No return Valve body	1
9	02.012	No return Valve spring	1
17	02.028	By-Pass Piston Diam. 8	1
18	02.029	Head Piece for Piston diam. 8	1

KIT SIMMM PUMP		
Code	Description	Q.ty
02.003.4.1GR	Kit valves	1
02.011.1GR	Kit no-return valve	1
02.028.1GR	Kit By-Pass complete	1
02.048.1GR	Kit Garden Hose connection	1
02.055.1GR	Kit sealings	1
02.490.1GR	Kit oil sealings	1
02.054.1GR	Kit pistons	1
02.051.8	Kit pistons guide flange	1
02.478.3	Kit professional gauge complete	1

SIMMM PUMP			
Ref.	Code	Description	Qty
1	02.091	Brass pump head	1
2	02.482	O-ring	6
2a	02.482.A	O-ring 90° Shore	6
3	02.003.4	Complete Valve (Black)	6
4	02.007	Valve plug	5
6	02.009	Plug M8x1	1
7	02.410	O-Ring	1
8	02.011	No return Valve body	1
9	02.012	No return Valve spring	1
17	02.008	By-Pass Piston Diam. 8	1
18	02.029	Head Piece for Piston diam. 8	1
19	02.427.3	Or assembly consisting of:	1
	02.427	O-Ring	
	02.427.2	Parback ring 8010	
20	02.011	Washer for Piston	2
21	02.432.3	Or assembly consisting of:	1
	02.432	O-Ring	
	02.432.2	Parback ring 8010	
22	02.033	Piston d. 8 guide By Pass valve	1
23	02.400	Elastic Pin	1
24	02.440	Nut M8 UNI 5583-05	2
25	02.035	Spring (black) By-Pass valve	1
26	02.036	Spring seat By Pass valve	1
28	02.408	Pressure regulation knob	1
29	02.440	Nut M8	1
30	02.441	O-Ring	1
31	02.142	Stainless Steel seat	1
35	02.149	Plug	2
43	02.064	Inner V-sleeve	6
44	02.066	Outer V-sleeve	6
45	02.068	Back ring	6
48	02.487	O-ring	3
47	02.058	Brass bushing for piston d. 18	3
48	02.059	Pressure ring for Piston d. 18	3
49	02.450	Oil seal	3
50	02.482	Sleeve bearing	3
51	02.061	Guide flange pistons d. 18	1
52	02.063	Circlip for Pistons d. 18	6
53	02.064	Piston d. 18	3
54	02.065	Steel piston spring	3
55	02.066	Piston spring	3
56	02.487	O-Ring in silicon	1
57	02.498.3	Complete bearing	1
58	02.070.A / U	Cam disc	1
62	02.474	Washer "3" M8	4
63	02.475	Screw M10x30 galvanized	4
64	02.476	Washer "3" M10	4
65	02.477	Screw M8x30 galvanized	4

KIT SIMMM PUMP		
Code	Description	Qty
02.003.4.1GR	Kit valves	1
02.011.1GR	Kit no-return valve	1
02.028.1GR	Kit By-Pass complete	1
02.048.1GR	Kit Garden Hose connection	1
02.049.1GR	Kit sealings	1
02.430.1GR	Kit oil sealings	1
02.054.1GR	Kit pistons	1
02.051.8	Kit pistons guide flange	1
02.478.3	Kit professional gauge complete	1

Es. 3			
Ref.	Code	Description	Qty
37	02.048	Inlet coupling	1
39	02.050	Water filter	1

Es. 3a			
Ref.	Code	Description	Qty
37	02.048	Inlet coupling	1
39	02.050	Water filter	1
40	02.451	Plastic quick connection	1

Es. 3b			
Ref.	Code	Description	Qty
10	02.413	O-Ring	1
37a	02.448.A	inlet coupling brass	1
37b	02.448.B	Water inlet connection brass	1
37c	02.448.C	Lock ring brass	1
39	02.050	Water filter	1

Es. 3c			
Ref.	Code	Description	Qty
36	02.047	Copper washer	1
37	02.048	Inlet coupling	1
39	02.050	Water filter	1
40	02.451	Plastic quick connection	1
41	02.052	Right Angle fitting	1