

## Standard Parts List: EI1511CW (Car Wash)

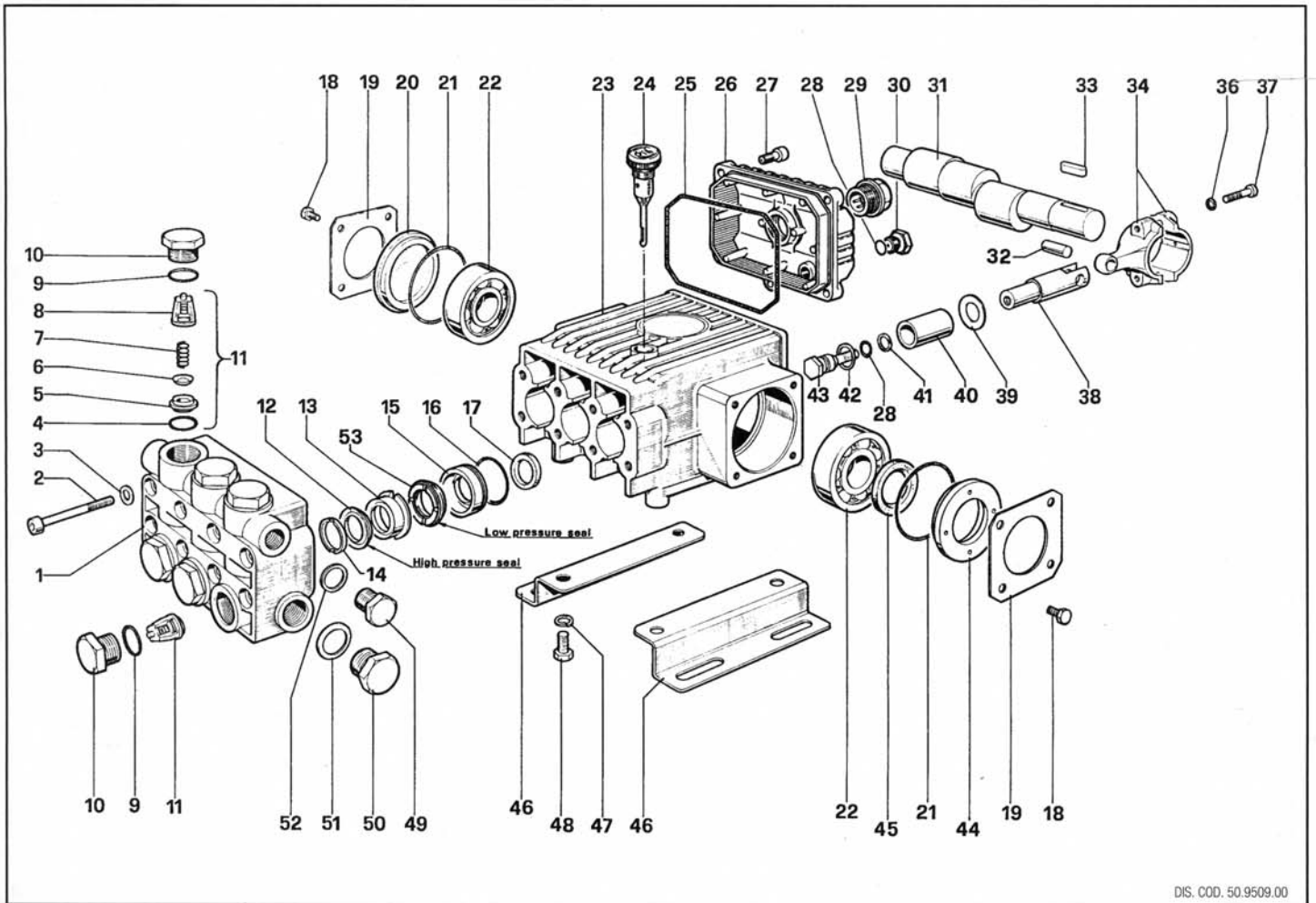
EI1511 CW (Delayed Stop Only)	Part Number	Description
Gun	E30.1281.00	RL37 Gun & 1/2 Lance with swivel
Lance	E41.0919.00	500mm Double Lance
Hose	H PHD66MF10	Kerrick Water Blasting Hose 3/8" 2 Wire , 10M
Nozzle (Pressure)	NOZ WJ1/4 15 05	Nozzle Washjet SS 1/4 15/050
	NOZ DUMP 1/4	
Nozzle (Dump / Low Pressure)	MEG	Nozzle Dump 1/4
Frame	BE85.600.053	Large Frame No Wheels
Wheels	BE85.660.020	Large Wheel To Suit Black Frame
Pump	IP W98	Interpump 1450psi 11Lpm 1450Rpm
Motor (240V single phase)	ME HEM2.2240V	2.2kw Lafert 240V Motor Interpump Shaft
Pressure Regulator	IP ZK70	Automatic Pressure Reg K7.0
Pressure Switch (Delayed Stop)	E29.0035.15	Pressure Switch 25 Bar 3/8

**Note:** Parts listed are for standard units only. Variations may occur to meet individual customer needs and applications (e.g. hose, gun and lance combinations).

Variations will also occur when units have been altered to meet clients flow and pressure requirements.

Parts listed are indicative only and may be modified without notice.





DIS. COD. 50.9509.00

INTERPUMP GROUP	
<b>W70</b>	<b>W995</b>
<b>W71</b>	<b>W996</b>
<b>W91</b>	<b>W997</b>
<b>W98</b>	<b>WS137</b>
<b>W99</b>	<b>WS149</b>

KIT N.	KIT 1	KIT 4	KIT 6	KIT 19	KIT 20	KIT 21	KIT 22	KIT 23	KIT 27
Positions Included	4-5-6-7 8-(11)	9-10	28-39 41-42 43	12-53	13	14	15-16	17	12-13 14-15 16-53
Posizioni Include									
N. pcs.	6	6	3	3	3	6	3	3	1

POS.	CODE CODICE	DESCRIPTION DESCRIZIONE	N. PCS.
1	50.1200.22	Testata - All./Nickel	1
	50.1200.41	Testata - OT58 - Brass	1
2	99.3175.00	Vite M8x60 UNI 5931	8
3	96.7014.00	Rosetta Ø 8,4x13x0,8	8
4	90.3841.00	OR Ø 17,13x2,62	KIT 1 6
5	36.2003.66	Sede valvola	KIT 1 6
6	36.2001.76	Valvola	KIT 1 6
7	94.7376.00	Molla Ø 9,4x14,8	KIT 1 6
8	36.2002.51	Guida valvola	KIT 1 6
9	90.3847.00	OR Ø 20,24x2,62	KIT 4 6
10	98.2220.00	Tappo M 24x2x16	KIT 4 6
11	36.7032.01	Gruppo valvola	KIT 1 6
12	90.2703.00	Anello tenuta Ø 20 H.P. seal	KIT 19-27 3
13	50.2166.70	Anello intermedio Ø 20	KIT 20-27 3
14	50.1000.51	Anello di testa Ø 20	KIT 21-27 3
15	50.0805.70	Anello di fondo Ø 20	KIT 22-27 3
16	90.3612.00	OR Ø 31,47x1,78	KIT 22-27 3
17	90.1614.00	Anello radiale Ø 20x30x5	KIT 23 3
18	99.1807.00	Vite M6x10 UNI 5739	8
19	50.1500.74	Coperchio carter	2
20	50.2116.51	Distanziale	1
21	90.4097.00	OR Ø 55,56x3,53	2
22	91.8329.00	Cuscinetto a sfere 6305	2
23	50.0100.22	Carter	1
24	98.2103.00	Tappo carico olio G3/8	1
25	90.3920.00	OR Ø 101,27x2,62	1
26	50.1600.22	Coperchio carter	1
27	99.1837.00	Vite M6x14 UNI 5931	5
28	90.3585.00	OR Ø 10,82x1,78	KIT 6 4
29	97.5968.00	Spia olio G3/4	1
30	98.2041.00	Tappo G1/4x9	1

POS.	CODE CODICE	DESCRIPTION DESCRIZIONE	N. PCS.
31	50.0201.35	Albero W71-W91-W99-W996-W997-WS137	1
	50.0205.35	Albero W70-W98-W995-WS149	1
32	97.7330.00	Spinotto Ø 9x19,5	3
33	91.4878.00	Linguetta	1
34	50.0300.01	Biella completa	3
	50.0303.01	Biella completa (WS137-W997-WS149)	3
36	96.6939.00	Rosetta Ø 6,4x10x0,7	6
37	99.1927.00	Vite M6x35 UNI 5931	6
38	50.0501.56	Guida pistone	3
39	96.7286.00	Rosetta Ø 14x28x0,5	KIT 6 3
40	50.0404.09	Pistone Ø 20	3
41	90.5067.00	Anello per OR	KIT 6 3
42	96.7280.00	Rosetta Ø 14x18,5x0,5	KIT 6 3
43	47.2195.66	Vite fissaggio pistone	KIT 6 3
44	50.2115.51	Distanziale	1
45	90.1634.00	Anello Radiale Ø 25x42x7	1
46	50.2000.74	Piedino	2
47	96.7016.00	Rosetta Ø 8,4 UNI 1751	4
48	99.3037.00	Vite M8x16 UNI 5739	4
49	98.2100.00	Tappo G 3/8x13	1
50	98.2176.00	Tappo G 1/2x10	1
51	96.7514.00	Rosetta Ø 21,5x27x1,5	1
52	96.7380.00	Rosetta Ø 17,5x23x1,5	1
53	90.2698.00	Anello tenuta Ø 20 L.P. seal	KIT 19-27 3