

Standard Parts List: EI3015CW (Car Wash)

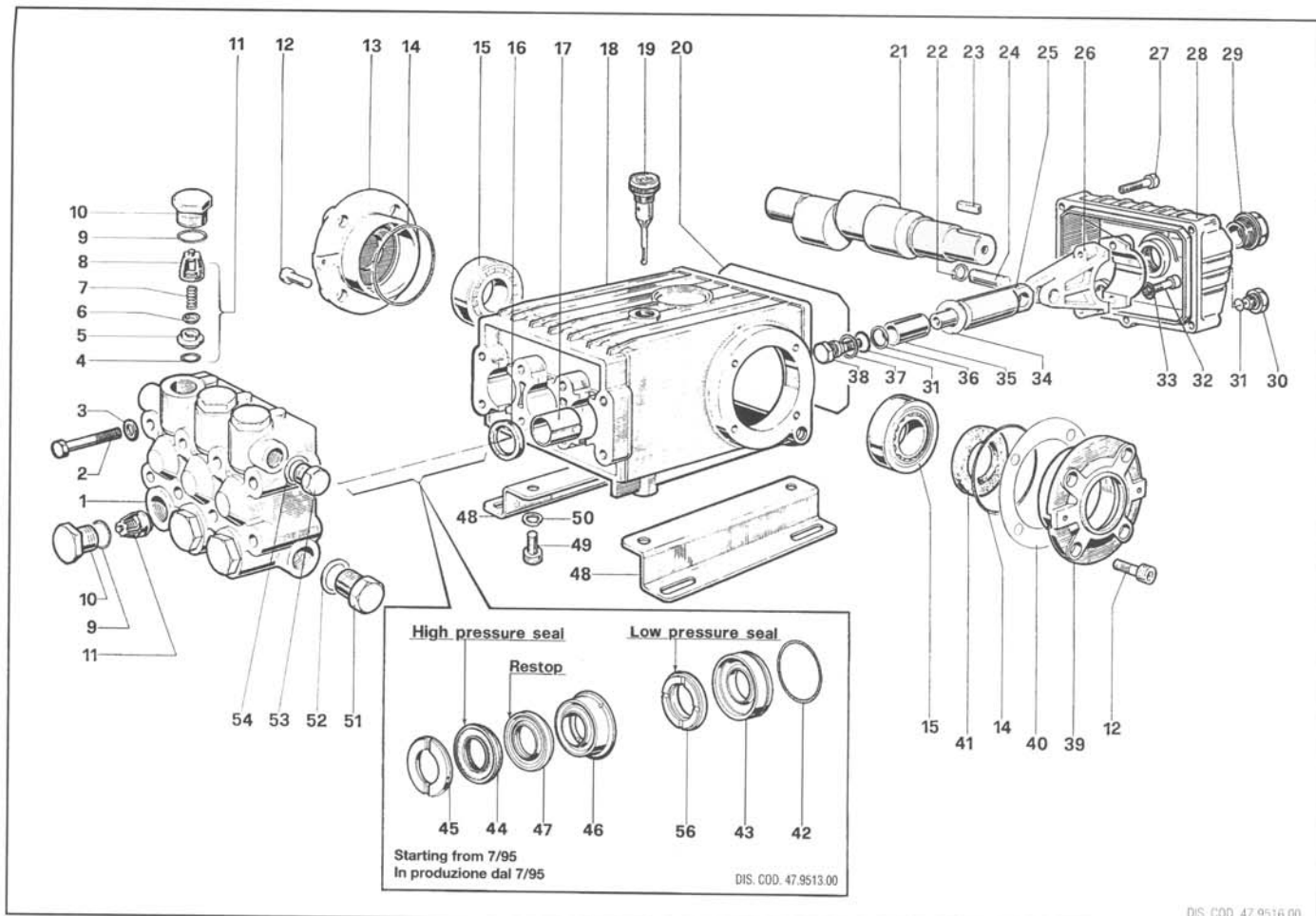
EI3015 CW (Delayed Stop Only)	Part Number	Description
Gun	E30.1281.00	RL37 Gun & 1/2 Lance with swivel
Lance	E41.0919.00	500mm Double Lance
Hose	H PHD66MF10	Kerrick Water Blasting Hose 3/8" 2 Wire , 10M
Nozzle (Pressure)	NOZ WJ1/4 15 04	Nozzle Washjet SS 1/4 15/040
	NOZ DUMP 1/4	
Nozzle (Dump / Low Pressure)	MEG	Nozzle Dump 1/4
Frame (Main Body)	KB0270	2 Wheel Frame Base - New
Frame (Add On)	KB0272	Frame B - Pump Cover Inc Hose Reel Plate
Frame (Rubber Feet)	BE85.660.007	Rubber Foot
Wheels	KB0269	3.50X6 Wheel To Suit New Frame
Pump	IP WS201	Interpump 2900psi 15Lpm 1450Rpm
Motor (415V 3 Phase)	ME HEM5.5415V	5.5kw Lafert 415V Motor
Pressure Regulator	IP ZK71	Auto Pressure Reg K7.1
Pressure Switch (Delayed Stop)	E29.0035.15	Pressure Switch 25 Bar 3/8

Note: Parts listed are for standard units only. Variations may occur to meet individual customer needs and applications (e.g. hose, gun and lance combinations).

Variations will also occur when units have been altered to meet clients flow and pressure requirements.

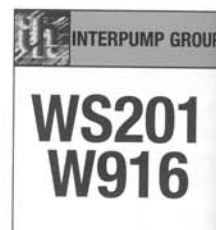
Parts listed are indicative only and may be modified without notice.





DIS. COD. 47.9516.00

KIT N.	KIT 1	KIT 2	KIT 3	KIT 5	KIT 6	KIT 7	KIT 69	KIT 71	KIT 10	KIT 28
Positions Included	4-5-6-7-8-(11)	16	41	9-10	31-34-36-37-38	45	44-47-56	46-47	42-43	42-43-44-45-46-47-56
Posizioni Include										
N. pcs.	6	3	2	6	3	6	3	3	3	1



POS.	CODE CODICE	DESCRIPTION DESCRIZIONE	N. PCS.
1	47.1202.41	Testata Nickel	1
2	99.3206.00	Vite M8x70 UNI 5737	8
3	96.7020.00	Rosetta Ø 8 UNI 1736	8
4	90.3841.00	OR Ø 17,13x2,62	KIT 1 6
5	36.2003.66	Sede valvola	KIT 1 6
6	36.2001.76	Valvola	KIT 1 6
7	94.7376.00	Molla Ø 9,4x14,8	KIT 1 6
8	36.2002.51	Guida valvola	KIT 1 6
9	90.3847.00	OR Ø 20,24x2,62	KIT 5 6
10	98.2222.00	Tappo M 24x2x16 spec. NK	KIT 5 6
11	36.7032.01	Gruppo valvola	KIT 1 6
12	99.3039.00	Vite M8x16 UNI 5931	8
13	47.1501.22	Coperchio carter	1
14	90.3913.00	OR Ø 67,95x2,62	2
15	91.8375.00	Cuscinetto a rulli 32206	2
16	90.1625.00	Anello radiale Ø 22x32x5,5	KIT 2 3
17	90.9126.00	Boccola Ø 22x25x30	3
18	47.0100.22	Carter	1
19	98.2106.00	Tappo carico olio G 3/8	1
20	90.3922.00	OR Ø 133,02x2,62	1
21	47.0206.35	Albero semplice P. di F. WS201 - W916	1
22	90.0557.00	Anello di fermo	6
23	91.4878.00	Linguetta	1
24	97.7380.00	Spinotto Ø 13x35	3
25	47.0503.56	Guida pistone	3
26	47.0300.01	Biella completa	3
27	99.1912.00	Vite M6x30 UNI 5931	5
28	47.1601.22	Coperchio carter	1
29	97.5968.00	Spia olio G 3/4	1
30	98.2041.00	Tappo G 1/4x9	1
31	90.3585.00	OR Ø 10,82x1,78	KIT 6 4
32	99.3099.00	Vite M8x35 UNI 5931	6

POS.	CODE CODICE	DESCRIPTION DESCRIZIONE	N. PCS.
33	96.7014.00	Rosetta Ø 8,4x13x0,8	6
34	96.7286.00	Rosetta Ø 14x28x0,5	KIT 6 3
35	47.0404.09	Pistone Ø 20	3
36	90.5067.00	Anello per OR	KIT 6 3
37	96.7280.00	Rosetta Ø 14x18,5x0,5	KIT 6 3
38	47.2195.66	Vite fissaggio pistone	KIT 6 3
39	47.1500.22	Coperchio carter	1
40	97.5678.00	Spessore	2
41	90.1648.00	Anello radiale Ø 30x55x7	KIT 3 1
42	90.3616.00	OR Ø 34,65x1,78	KIT 10-28 3
43	47.0805.70	Anello di fondo Ø 20	KIT 10-28 3
44	90.2705.00	Anello tenuta Ø 20 H.P. seal	KIT 28-69 3
45	47.1000.51	Anello testa Ø 20	KIT 7-28 3
46	47.2169.70	Anello intermedio Ø 20	KIT 28-71 3
47	90.2704.00	Anello "RESTOP" Ø 20	KIT 28-69-71 3
48	47.2000.74	Piedino	2
49	99.3644.00	Vite M10x18 UNI 5931	4
50	96.7106.00	Rosetta Ø 10 DIN 7980	4
51	98.2176.00	Tappo G 1/2x10	1
52	96.7514.00	Rosetta Ø 21,5x27x1,5	1
53	98.2100.00	Tappo G 3/8x13	1
54	96.7380.00	Rosetta Ø 17,5x23x1,5	1
56	90.2710.00	Anello tenuta Ø 20 L.P. seal	KIT 28-69 3