

Standard Parts List: EI3021

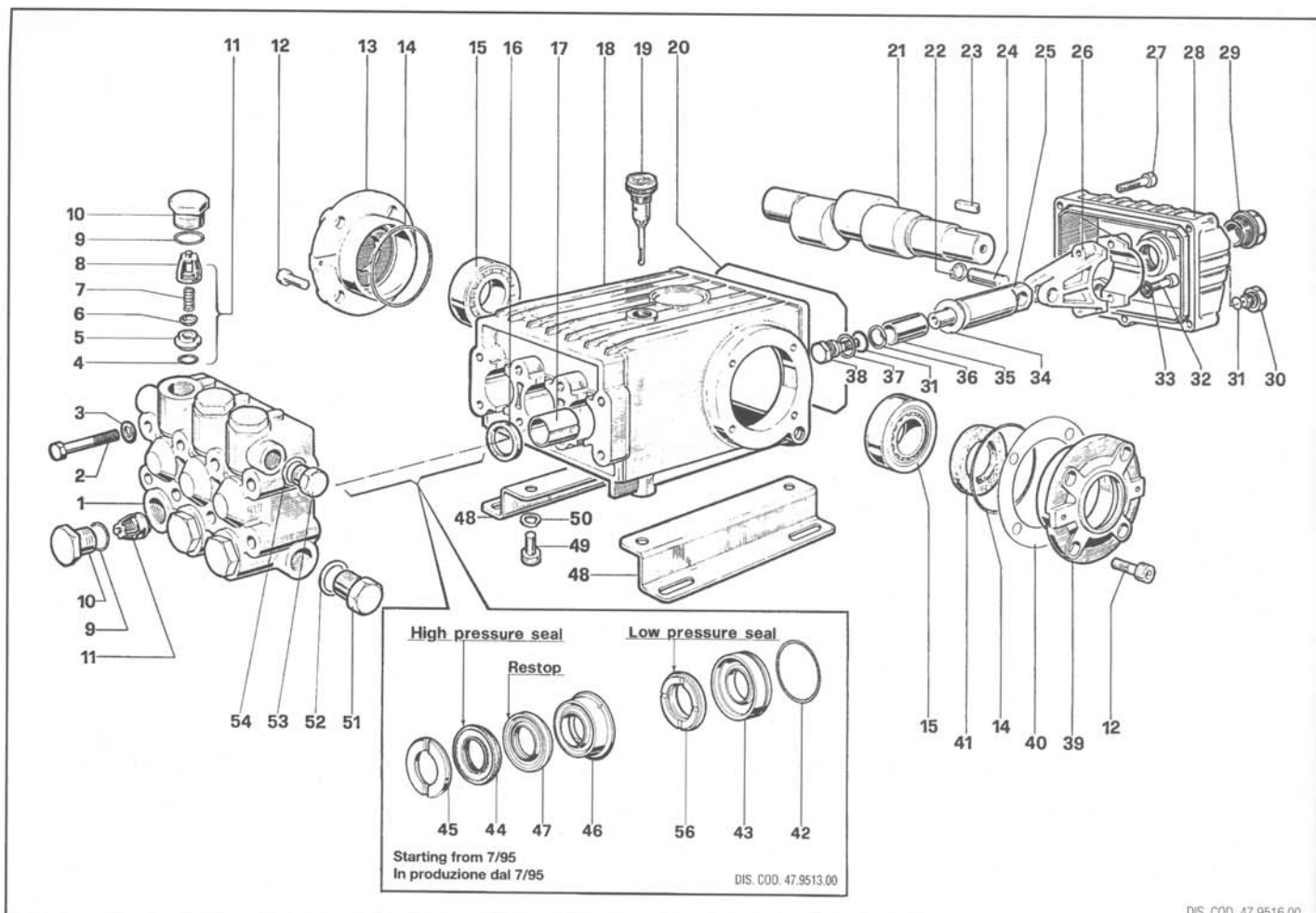
EI3021	Part Number	Description
Gun	E30.1281.00	RL37 Gun & 1/2 Lance with swivel
Lance	E41.0919.00	500mm Double Lance
Hose	H PHD66MF10	Kerrick Water Blasting Hose 3/8" 2 Wire , 10M
Nozzle (Pressure)	NOZ WJ1/4 15 06	Nozzle Washjet SS 1/4 15/060
Nozzle (Dump/Low Pressure)	NOZ DUMP 1/4 MEG	Nozzle Dump 1/4
Frame	KB0289	Frame to suit EI3021
Wheels	KB0269	3.50X6 Wheel To Suit New Frame
Pump	IP WS202	Pump 2900psi 21Lpm 1450Rpm
Motor (415V 3 Phase)	ME HEM7.5415V	7.5kw Lafert 1440Rpm Motor
Pressure Regulator	IP ZK72	Auto Pressure Reg K7.2

Note: Parts listed are for standard units only. Variations may occur to meet individual customer needs and applications (e.g. hose, gun and lance combinations).

Variations will also occur when units have been altered to meet clients flow and pressure requirements.

Parts listed are indicative only and may be modified without notice.





DIS. COD. 47.9516.00

KIT N.	KIT 1	KIT 2	KIT 3	KIT 5	KIT 6	KIT 7	KIT 69	KIT 71	KIT 10	KIT 28
Positions Included	4-5-6-7 8-(11)	16	41	9-10	31-34-36 37-38	45	44-47 56	46-47	42-43	42-43 44-45 46-47 56
Posizioni Include										
N. pcs.	6	3	2	6	3	6	3	3	3	1

INTERPUMP GROUP

WS152
WS202
W921

POS.	CODE CODICE	DESCRIPTION DESCRIZIONE	N. PCS.
1	47.1202.41	Testata Nickel	1
2	99.3206.00	Vite M8x70 UNI 5737	8
3	96.7020.00	Rosetta Ø 8 UNI 1736	8
4	90.3841.00	OR Ø 17,13x2,62	KIT 1 6
5	36.2003.66	Sede valvola	KIT 1 6
6	36.2001.76	Valvola	KIT 1 6
7	94.7376.00	Molla Ø 9,4x14,8	KIT 1 6
8	36.2002.51	Guida valvola	KIT 1 6
9	90.3847.00	OR Ø 20,24x2,62	KIT 5 6
10	98.2222.00	Tappo M 24x2x16 spec. NK	KIT 5 6
11	36.7032.01	Gruppo valvola	KIT 1 6
12	99.3039.00	Vite M8x16 UNI 5931	8
13	47.1501.22	Coperchio carter	1
14	90.3913.00	OR Ø 67,95x2,62	2
15	91.8377.00	Cuscinetto a rulli 32206	2
16	90.1625.00	Anello radiale Ø 22x32x5,5	KIT 2 3
17	90.9126.00	Boccola Ø 22x25x30	3
18	47.0102.22	Carter	1
19	98.2106.00	Tappo carico olio G 3/8	1
20	90.3922.00	OR Ø 133,02x2,62	1
21	47.0204.35	Albero semplice P. di F. WS152 - WS202	1
	47.0215.35	Albero semplice P. di F. W921	1
22	90.0557.00	Anello di fermo	6
23	91.4878.00	Linguetta	1
24	97.7380.00	Spinotto Ø 13x35	3
25	47.0503.56	Guida pistone	3
26	47.0300.01	Biella completa	3
27	99.1912.00	Vite M6x30 UNI 5931	5
28	47.1601.22	Coperchio carter	1
29	97.5968.00	Spia olio G 3/4	1
30	98.2041.00	Tappo G 1/4x9	1
31	90.3585.00	OR Ø 10,82x1,78	KIT 6 4

POS.	CODE CODICE	DESCRIPTION DESCRIZIONE	N. PCS.
32	99.3099.00	Vite M8x35 UNI 5931	6
33	96.7014.00	Rosetta Ø 8,4x13x0,8	6
34	96.7286.00	Rosetta Ø 14x28x0,5	KIT 6 3
35	47.0404.09	Pistone Ø 20	3
36	90.5067.00	Anello per OR	KIT 6 3
37	96.7280.00	Rosetta Ø 14x18,5x0,5	KIT 6 3
38	47.2195.66	Vite fissaggio pistone	KIT 6 3
39	47.1500.22	Coperchio carter	1
40	97.5678.00	Spessore	2
41	90.1648.00	Anello radiale Ø 30x55x7	KIT 3 1
42	90.3616.00	OR Ø 34,65x1,78	KIT 10-28 3
43	47.0805.70	Anello di fondo Ø 20	KIT 10-28 3
44	90.2705.00	Anello tenuta Ø 20 H.P. seal	KIT 28-69 3
45	47.1000.51	Anello testa Ø 20	KIT 7-28 3
46	47.2169.70	Anello intermedio Ø 20	KIT 28-71 3
47	90.2704.00	Anello "RESTOP" Ø 20	KIT 28-69-71 3
48	47.2000.74	Piedino	2
49	99.3644.00	Vite M10x18 UNI 5931	4
50	96.7106.00	Rosetta Ø 10 DIN 7980	4
51	98.2176.00	Tappo G 1/2x10	1
52	96.7514.00	Rosetta Ø 21,5x27x1,5	1
53	98.2100.00	Tappo G 3/8x13	1
54	96.7380.00	Rosetta Ø 17,5x23x1,5	1
56	90.2710.00	Anello tenuta Ø 20 L.P. seal	KIT 28-69 3