

Standard Parts List: HH3017

HH3017	Part Number	Description
Gun	E30.1281.00	RL37 Gun & 1/2 Lance with swivel
Lance	E41.0919.00	500mm Double Lance
Hose	H PHD66MF10	Kerrick Water Blasting Hose 3/8" 2 Wire , 10M
Nozzle (Pressure)	NOZ WJ1/4 15 05	Nozzle Washjet SS 1/4 15/050
Nozzle (Dump/Low Pressure)	NOZ DUMP 1/4 MEG	Nozzle Dump 1/4
Frame (Main Body)	KB0270	2 Wheel Frame Base - New
Frame (Add On)	KB0272	Frame B - Pump Cover Inc Hose Reel Plate
Frame (Rubber Feet)	BE85.660.007	Rubber Foot
Wheels	KB0269	3.50X6 Wheel To Suit New Frame
Pump	HP NMT1520R	Hawk Pump 17 L/M 200 Bar
Gearbox	E50.0000.00	B18 Gear Box
Motor	MH GX390	Honda Motor 13 hp
Pressure Regulator	IP ZK71	Auto Pressure Reg K7.1

HH3017HES (Electric Start)	Part Number	Description
Gun	E30.1281.00	RL37 Gun & 1/2 Lance with swivel
Lance	E41.0919.00	500mm Double Lance
Hose	H PHD66MF10	Kerrick Water Blasting Hose 3/8" 2 Wire , 10M
Nozzle (Pressure)	NOZ WJ1/4 15 05	Nozzle Washjet SS 1/4 15/050
Nozzle (Dump / Low Pressure)	NOZ DUMP 1/4 MEG	Nozzle Dump 1/4
Frame (Main Body)	KB0270	2 Wheel Frame Base - New
Frame (Add On)	KB0271	Frame A - Hire Add On With Lifting Hook
Frame (Rubber Feet)	BE85.660.007	Rubber Foot
Wheels	KB0269	3.50X6 Wheel To Suit New Frame
Pump	HP NMT1520R	Hawk Pump 17 L/M 200 Bar
Gearbox	E50.0000.00	B18 Gear Box
Motor (Electric Start)	MH GX390/E	Honda Motor 13 hp Elect Start
Pressure Regulator	IP ZK71	Auto Pressure Reg K7.1

Note: Parts listed are for standard units only. Variations may occur to meet individual customer needs and applications (e.g. hose, gun and lance combinations).

Variations will also occur when units have been altered to meet clients flow and pressure requirements. Parts listed are indicative only and may be modified without notice.

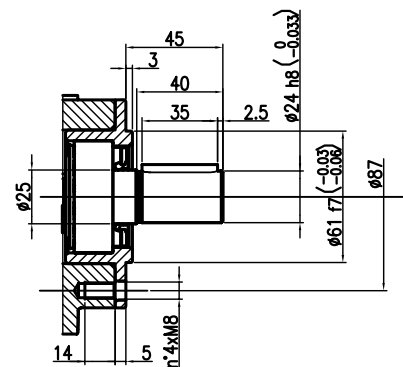
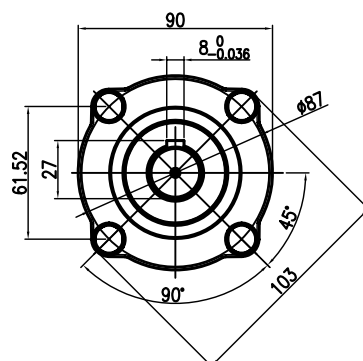
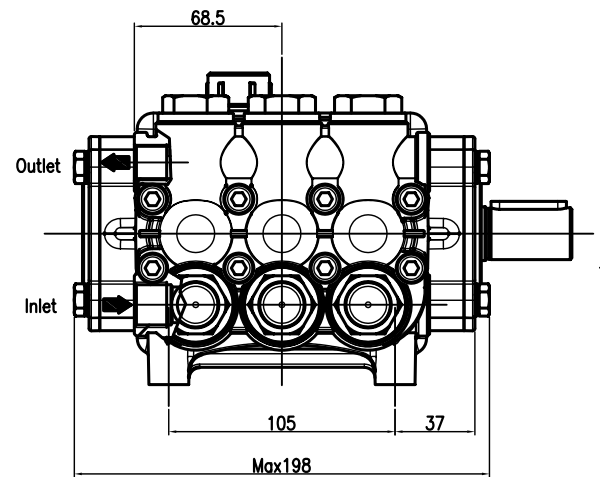
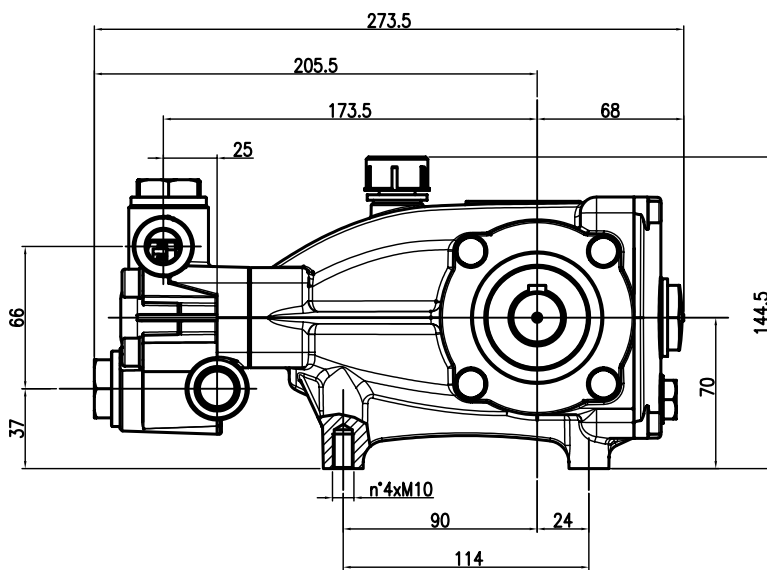


Caratteristiche Tecniche NMT nichelate Serie 2011 nickel plated Series *Technical Characteristics*

Pump Pompe Pumpen Pompa	Pressure Pression Druck Pressione		Volume Débit Leistung Portata		RPM tours/min u.p.m. giri/min	Required HP Puissance HP Leistung HP Potenza HP	Inlet port Entrée Eingang Aspirazione	Outlet Sortie Ausgang Mandata	Weight Kg Poids Kg Gewicht Kg Peso Kg
	bar	PSI	l/min	GPM					
NMT1220SR/LN	200	3000	12.5		1000	6.4	G 1/2	G 3/8	9.5
				4.0	1200	7.7			
NMT1520SR/LN	200	3000	15.0		1000	7.7	G 1/2	G 3/8	9.5
				4.7	1200	9.2			
NMT1220R/LN	200	3000	12.5		1450	6.4	G 1/2	G 3/8	9.5
				4.0	1740	7.7			
NMT1520R/LN	200	3000	15.0		1450	7.7	G 1/2	G 3/8	9.5
				4.7	1740	9.2			
NMT1820R/LN	200	3000	18.0		1450	9.2	G 1/2	G 3/8	9.5
				5.6	1740	11.0			
NMT2120R/LN	200	3000	21.0		1450	10.7	G 1/2	G 3/8	9.5
				6.6	1740	12.8			

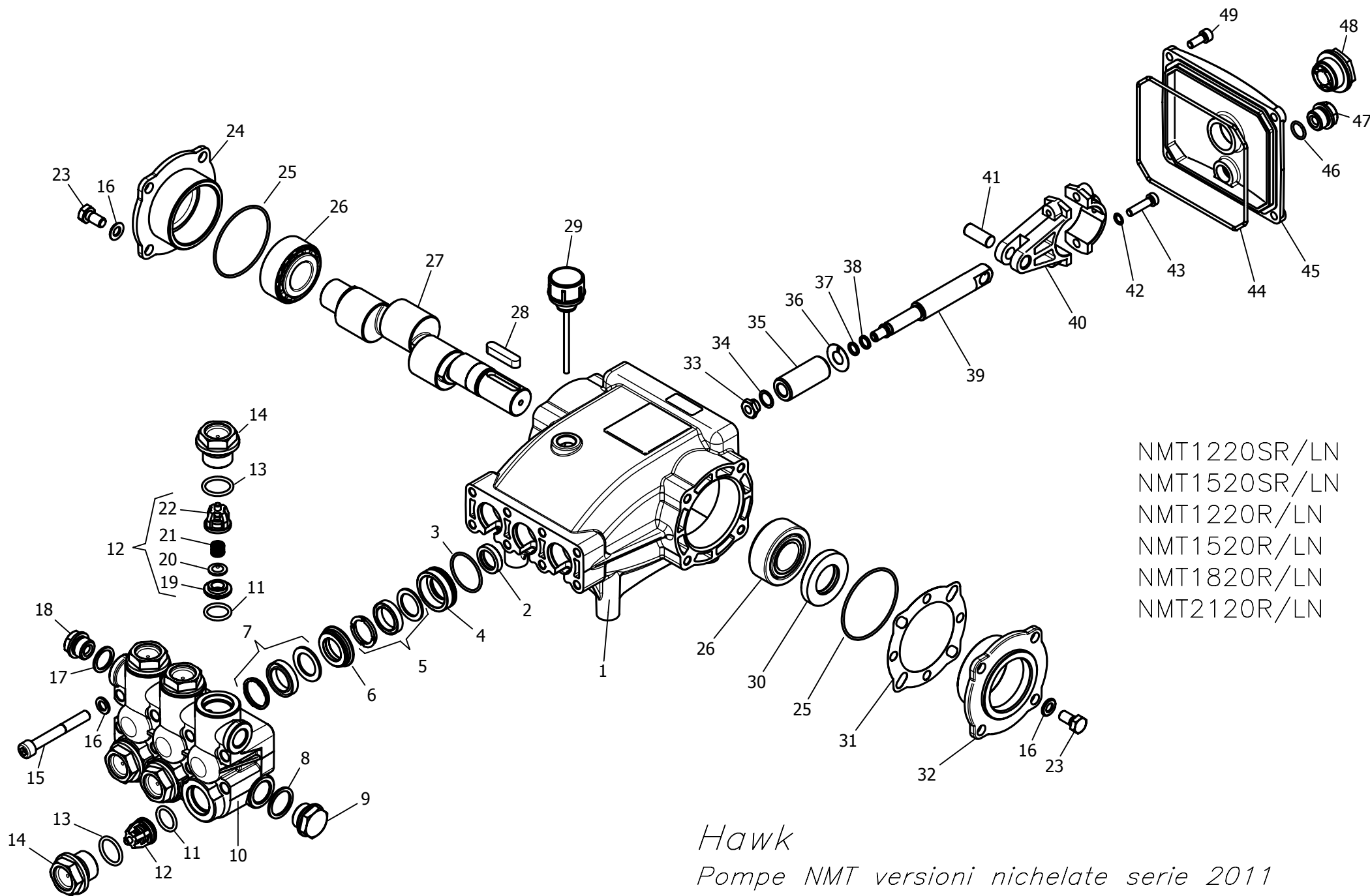
Dimensioni d'ingombro

Overall dimensions



Lubrificazione: Olio SAE 20/40W
Capacità 0.7 litri

Lubrication: SAE 20/40W Oil
Capacity 0.7 liters



NMT1220SR/LN
 NMT1520SR/LN
 NMT1220R/LN
 NMT1520R/LN
 NMT1820R/LN
 NMT2120R/LN

Hawk

Pompe NMT versioni nichelate serie 2011

NMT pumps nickel plated versions 2011 series

NMT NICKEL 2011

SPARE PARTS KIT

KIT RICAMBI

Posizioni Items	Part Number and Description	Codice e descrizione	Q.tà per ogni Pompa Q.ty for each Pump	NMT1220SR/LN	NMT1520SR/LN	NMT1220R/LN	NMT1520R/LN	NMT1820R/LN	NMT2120R/LN
3x (3- 5- 7)	2600.77 Plunger Seals 20 mm	2600.77 Guarnizioni pistone Ø20	1						
3- 4- 5- 6- 7	2600.78 Complete Seals Packing 20 mm	2600.78 Pacco completo Guarnizioni pistone Ø20	3						
33- 34- 35- 36 37- 38	2601.07 Plunger 20 mm	2601.07 Pistone Ø20	3						
11- 12- 13	2600.08 Complete Valve	2600.08 Valvola completa	6	◆	◆	◆	◆	◆	◆
3x (2)	2608.03 Plunger oil Seals	2608.03 Anelli tenuta olio Asta	1						
3- 4- 5- 6- 7- 8 9- 10- 11- 12 13- 14 17- 18	2601.08 Complete Manifold	2601.08 Testata Completa	1						
39- 40- 41- 42 43	3100.13 Connecting Rod-Plunger Rod Assy	3100.13 Premontato Biella-Asta pistone	3						

PARTS LIST

LISTA PARTI

Pos. Item	Codice Part Number	Description	Descrizione	Q.tà per ogni Pompa Q.ty for each Pump	NMT1220SR/LN	NMT1520SR/LN	NMT1220R/LN	NMT1520R/LN	NMT1820R/LN	NMT2120R/LN
1	0202.95	Crankcase	Carter	1						
*2	0001.03	Plunger oil seal	Anello radiale	3						
*3	0601.07	"O" Ring Ø1.78x31.47	"O" Ring Ø1.78x31.47	3						
*4	1201.37	Pressure ring 20mm	Pressore "U" Ø20	3						
*5	0002.52	Low pressure "U" seal, dia.20mm	Anello tenuta "U" Ø20	3						
*6	0300.60	Intermed. ring 20mm	Diffusore Intern. Ø20	3						
*7	0002.60	High pressure "U" seal, dia.20mm	Anello tenuta "U" Ø20	3						
*8	0603.07	Copper washer G1/2	Guarnizione rame	1						
*9	1601.71	Nickel plated plug G1/2	Tappo G1/2 nichelato	1						
*10	1602.44	Nickel plated Manifold housing	Testata nichelata	1						
*11	0601.19	"O" Ring Ø2.62x17.13	"O" Ring Ø2.62x17.13	6	◆	◆	◆	◆	◆	◆
*12	3604.70	Valve assembly	Valvola premontata	6						
*13	0601.65	"O" Ring Ø2.62x20.29	"O" Ring Ø2.62x20.29	6						
*14	1601.70	Nickel plated Valve plug	Tappo valvola nichelato	6						
15	1801.03	Manifold stud bolt M8x65 Dacromet	Vite M8x65 Dacromet	8						
16	1400.01	Washer Ø8,5	Rosetta Ø8,5	16						
*17	0603.06	Copper washer G3/8	Guarnizione rame	1						
*18	1601.72	Nickel plated plug G3/8	Tappo G3/8 nichelato	1						
19	1503.18	Valve seat	Sede valvola	6						
20	1202.00	Valve plate	Piattello valvola	6						
21	0900.30	Valve spring	Molla valvola	6						
22	0604.05	Valve cage	Gabbia valvola	6						

NMT NICKEL 2011

PARTS LIST

LISTA PARTI

Pos. Item	Codice Part Number	Description	Descrizione	Q.tà per ogni Pompa Q.ty for each Pump	NMT1220SR/LN	NMT1520SR/LN	NMT1220R/LN	NMT1520R/LN	NMT1820R/LN	NMT2120R/LN
23	1802.03	Hexagonal screw M8x18	Vite M8x18	8						
24	0500.61	Closed bearing housing	Flangia chiusa	1	◆	◆	◆	◆	◆	◆
25	0601.63	"O" Ring Ø1.78x60.05	"O" Ring Ø1.78x60.05	2						
26	0200.06	Roller bearing 33205	Cuscinetto a rulli 33205	2						
27	0006.17	Single - ended shaft	Albero semplice P.d.F.	1	◆				◆	
	0006.19	" " "	" " "	1		◆				
	0006.14	" " "	" " "	1			◆			
	0006.16	" " "	" " "	1				◆		
	0006.18	" " "	" " "	1						◆
28	0206.04	Crankshaft key	Chiavetta	1						
29	1600.15	Oil dip stick	Tappo livello olio	1						
30	0001.02	Crankshaft seal	Anello radiale	1						
31	0301.02	Shim	Distanziale	1						
32	0500.60	Bearing housing	Flangia	1						
*33	0302.19	Plunger nut	Dado pistone	3						
*34	1400.12	Copper spacer Ø 11.2/15x0.5	Rosetta rame Ø 11.2/15x0.5	3						
*35	1200.10	Plunger 20mm	Pistone Ø20	3						
*36	1400.15	Copper spacer Ø 11.3/24x0.5	Rosetta rame Ø 11.3/24x0.5	3						
*37	0601.03	"O" Ring Ø1.78x7.66	"O" Ring Ø1.78x7.66	3						
*38	0009.04	Teflon ring	Anello antiestrusione	3	◆	◆	◆	◆	◆	◆
*39	0003.28	Plunger rod	Asta pistone	3						
*40	0100.01	Connecting rod	Biella	3						
*41	1502.06	Connecting rod pin	Spinotto	3						
*42	1401.02	Spring washer Ø6	Rosetta elastica Ø6	6						
*43	1801.32	Connecting rod screw M6x30	Vite M6x30	6						
44	0601.88	"O" Ring Ø 2.62x126.67	"O" Ring Ø 2.62x126.67	1						
45	0203.59	Crankcase cover	Coperchio posteriore	1						
46	0601.14	"O" Ring Ø1.78x14	"O" Ring Ø1.78x14	1						
47	1601.17	Brass plug G 3/8	Tappo G3/8	1						
48	0700.05	Sight glass, G3/4	Spia livello olio G3/4	1						
49	1801.12	Screw M6x16	Vite M6x16	4						

Part available
in kit only

**Particolare disponibile
solo in kit**

* Part available
in kit also

**Particolare disponibile
anche in kit**