

## Standard Parts List: HI2012

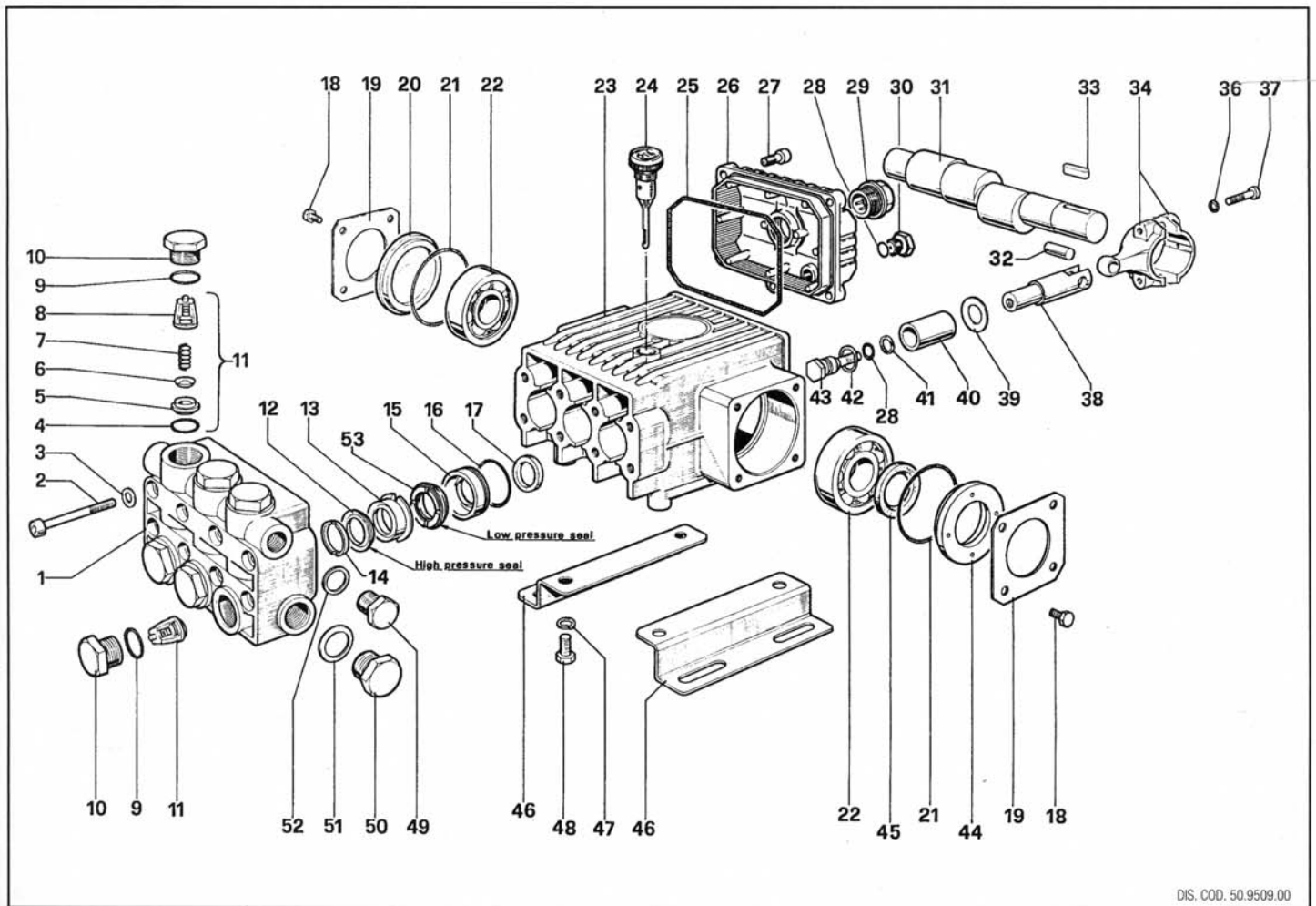
HI2012	Part Number	Description
Gun	E30.1281.00	RL37 Gun & 1/2 Lance with swivel
Lance	E41.0919.00	500mm Double Lance
Hose	H PHD66MF10	Kerrick Water Blasting Hose 3/8" 2 Wire , 10M
Nozzle (Pressure)	NOZ WJ1/4 15 04	Nozzle Washjet SS 1/4 15/040
Nozzle (Dump/Low Pressure)	NOZ DUMP 1/4 MEG	Nozzle Dump 1/4
Frame (Main Body)	KB0105	Hire Company Frame Hi2012
Frame (Rubber Feet)	BE85.660.007	Rubber Foot
Wheels	KB0099	250Mm Wheel Hi2012, Vh975
Pump	IP WS149	Interpump 2000psi 12Lpm
Gearbox	IP ZONDA	Gear Box Rs99
Motor	MH GX200	Honda Motor 6.5 hp
Pressure Regulator	IP ZK70	Automatic Pressure Reg K7.0

**Note:** Parts listed are for standard units only. Variations may occur to meet individual customer needs and applications (e.g. hose, gun and lance combinations).

Variations will also occur when units have been altered to meet clients flow and pressure requirements.

Parts listed are indicative only and may be modified without notice.





KIT N.	KIT 1	KIT 4	KIT 6	KIT 19	KIT 20	KIT 21	KIT 22	KIT 23	KIT 27
Positions Included	4-5-6-7 8-(11)	9-10	28-39 41-42 43	12-53	13	14	15-16	17	12-13 14-15 16-53
Posizioni Include									
N. pcs.	6	6	3	3	3	6	3	3	1

**INTERPUMP GROUP**

<b>W70</b> <b>W71</b> <b>W91</b> <b>W98</b> <b>W99</b>	<b>W995</b> <b>W996</b> <b>W997</b> <b>WS137</b> <b>WS149</b>
--	---

POS.	CODE CODICE	DESCRIPTION DESCRIZIONE	N. PCS.
1	50.1200.22	Testata - All./Nickel	1
	50.1200.41	Testata - OT58 - Brass	1
2	99.3175.00	Vite M8x60 UNI 5931	8
3	96.7014.00	Rosetta Ø 8,4x13x0,8	8
4	90.3841.00	OR Ø 17,13x2,62	KIT 1 6
5	36.2003.66	Sede valvola	KIT 1 6
6	36.2001.76	Valvola	KIT 1 6
7	94.7376.00	Molla Ø 9,4x14,8	KIT 1 6
8	36.2002.51	Guida valvola	KIT 1 6
9	90.3847.00	OR Ø 20,24x2,62	KIT 4 6
10	98.2220.00	Tappo M 24x2x16	KIT 4 6
11	36.7032.01	Gruppo valvola	KIT 1 6
12	90.2703.00	Anello tenuta Ø 20 H.P. seal	KIT 19-27 3
13	50.2166.70	Anello intermedio Ø 20	KIT 20-27 3
14	50.1000.51	Anello di testa Ø 20	KIT 21-27 3
15	50.0805.70	Anello di fondo Ø 20	KIT 22-27 3
16	90.3612.00	OR Ø 31,47x1,78	KIT 22-27 3
17	90.1614.00	Anello radiale Ø 20x30x5	KIT 23 3
18	99.1807.00	Vite M6x10 UNI 5739	8
19	50.1500.74	Coperchio carter	2
20	50.2116.51	Distanziale	1
21	90.4097.00	OR Ø 55,56x3,53	2
22	91.8329.00	Cuscinetto a sfere 6305	2
23	50.0100.22	Carter	1
24	98.2103.00	Tappo carico olio G3/8	1
25	90.3920.00	OR Ø 101,27x2,62	1
26	50.1600.22	Coperchio carter	1
27	99.1837.00	Vite M6x14 UNI 5931	5
28	90.3585.00	OR Ø 10,82x1,78	KIT 6 4
29	97.5968.00	Spia olio G3/4	1
30	98.2041.00	Tappo G1/4x9	1

POS.	CODE CODICE	DESCRIPTION DESCRIZIONE	N. PCS.
31	50.0201.35	Albero W71-W91-W99-W996-W997-WS137	1
	50.0205.35	Albero W70-W98-W995-WS149	1
32	97.7330.00	Spinotto Ø 9x19,5	3
33	91.4878.00	Linguetta	1
34	50.0300.01	Biella completa	3
	50.0303.01	Biella completa (WS137-W997-WS149)	3
36	96.6939.00	Rosetta Ø 6,4x10x0,7	6
37	99.1927.00	Vite M6x35 UNI 5931	6
38	50.0501.56	Guida pistone	3
39	96.7286.00	Rosetta Ø 14x28x0,5	KIT 6 3
40	50.0404.09	Pistone Ø 20	3
41	90.5067.00	Anello per OR	KIT 6 3
42	96.7280.00	Rosetta Ø 14x18,5x0,5	KIT 6 3
43	47.2195.66	Vite fissaggio pistone	KIT 6 3
44	50.2115.51	Distanziale	1
45	90.1634.00	Anello Radiale Ø 25x42x7	1
46	50.2000.74	Piedino	2
47	96.7016.00	Rosetta Ø 8,4 UNI 1751	4
48	99.3037.00	Vite M8x16 UNI 5739	4
49	98.2100.00	Tappo G 3/8x13	1
50	98.2176.00	Tappo G 1/2x10	1
51	96.7514.00	Rosetta Ø 21,5x27x1,5	1
52	96.7380.00	Rosetta Ø 17,5x23x1,5	1
53	90.2698.00	Anello tenuta Ø 20 L.P. seal	KIT 19-27 3