

## Standard Parts List: Jetter HH4021

| HH4021                       | Part Number      | Description                                   |
|------------------------------|------------------|---|
| Gun                          | E30.1281.00      | RL37 Gun & 1/2 Lance with swivel              |
| Lance                        | E41.0919.00      | 500mm Double Lance                            |
| Hose                         | H PHD66MF10      | Kerrick Water Blasting Hose 3/8" 2 Wire , 10M |
| Nozzle (Pressure)            | NOZ WJ1/4 15 045 | Nozzle Washjet SS 1/4 15/045                  |
| Nozzle (Dump / Low Pressure) | NOZ DUMP 1/4 MEG | Nozzle Dump 1/4                               |
| Frame                        | KB0235           | Gal Frame L Shaped                            |
| Wheels                       | KB0269           | 3.50X6 Wheel To Suit New Frame                |
| Pump                         | HP XLT1830R      | Hawk Pump 21L/M 300Bar [Xlt]                  |
| Gearbox                      | HP2445.05        | Gearbox 25Mm Lt - Xlt                         |
| Motor (Electric Start)       | MH GX630/E       | 20 hp Honda - NO Fuel Tank                    |
| Pressure Regulator           | E60.0400.60      | Vb80/280 Valve 280 Bar - Blue Spring          |

**Note:** Parts listed are for standard units only. Variations may occur to meet individual customer needs and applications (e.g. hose, gun and lance combinations).

Variations will also occur when units have been altered to meet clients flow and pressure requirements.

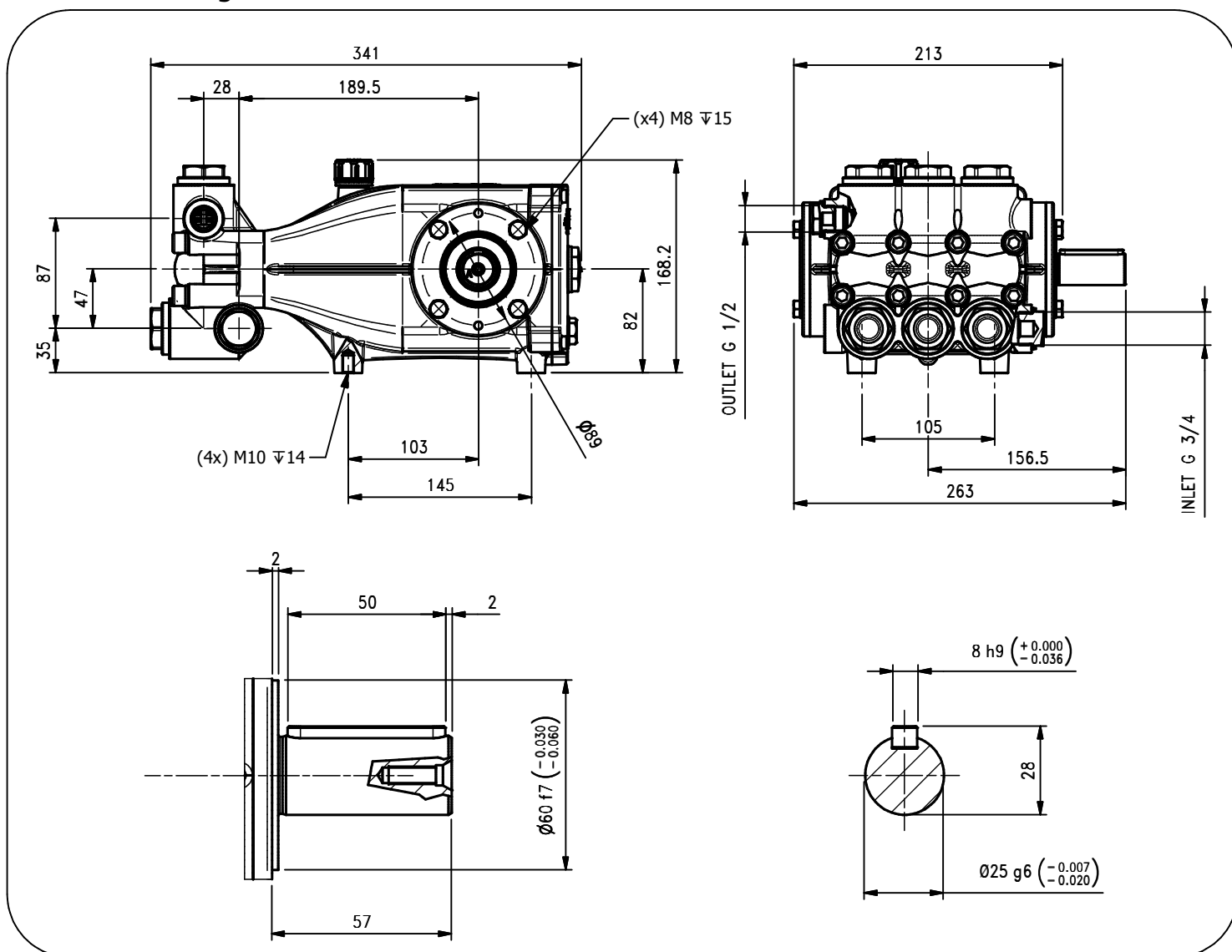
Parts listed are indicative only and may be modified without notice.



| Pump<br>Pompa | Pressure<br>Pressione |      | Volume<br>Portata |       |       |       | RPM<br>giri/min |       | Power<br>Potenza |       |       |       |
|---------------|-----------------------|------|-------------------|-------|-------|-------|-----------------|-------|------------------|-------|-------|-------|
|               |                       |      | l/min             |       | GPM   |       |                 |       | HP               |       | kW    |       |
|               | bar                   | PSI  | 50 Hz             | 60 Hz | 50 Hz | 60 Hz | 50 Hz           | 60 Hz | 50 Hz            | 60 Hz | 50 Hz | 60 Hz |
| XLT3020S      | 200                   | 2900 | 30                | 36    | 7.9   | 9.5   | 1000            | 1200  | 15.6             | 18.7  | 11.5  | 13.8  |
| XLT3816S      | 160                   | 2320 | 38                | 46    | 10    | 12    | 1000            | 1200  | 15.9             | 19.0  | 11.7  | 14.0  |
| XLT1830       | 300                   | 4350 | 18                | 22    | 4.8   | 5.8   | 1450            | 1740  | 13.7             | 16.4  | 10.1  | 12.1  |
| XLT2230       | 300                   | 4350 | 22                | 26    | 5.8   | 7     | 1450            | 1740  | 16.6             | 19.9  | 12.2  | 14.6  |
| XLT2530       | 300                   | 4350 | 25                | 30    | 6.6   | 7.9   | 1450            | 1740  | 19.2             | 23.0  | 14.1  | 16.2  |
| XLT2730       | 300                   | 4350 | 27                | 32    | 7.1   | 8.5   | 1450            | 1740  | 20.5             | 24.6  | 15.1  | 18.1  |
| XLT3025       | 250                   | 3625 | 30                | 36    | 7.9   | 9.5   | 1450            | 1740  | 19.3             | 23.2  | 14.2  | 17.0  |
| XLT3325       | 250                   | 3625 | 33                | 40    | 8.7   | 10.4  | 1450            | 1740  | 21.4             | 25.7  | 15.7  | 18.8  |
| XLT3517       | 170                   | 2465 | 35                | 42    | 9.2   | 11    | 1450            | 1740  | 15.2             | 18.2  | 11.2  | 13.4  |
| XLT4017       | 170                   | 2465 | 40                | 48    | 10.6  | 12.7  | 1450            | 1740  | 17.0             | 20.4  | 12.5  | 15.0  |
| XLT4317       | 170                   | 2465 | 43                | 52    | 11.4  | 13.7  | 1450            | 1740  | 19.1             | 22.9  | 14.1  | 16.9  |
| XLT5015       | 150                   | 2175 | 50                | 60    | 13.2  | 15.8  | 1450            | 1740  | 18.8             | 22.6  | 13.8  | 16.6  |
| XLT5415       | 150                   | 2175 | 54                | 65    | 14.3  | 17.2  | 1450            | 1740  | 21.2             | 25.4  | 15.6  | 18.7  |

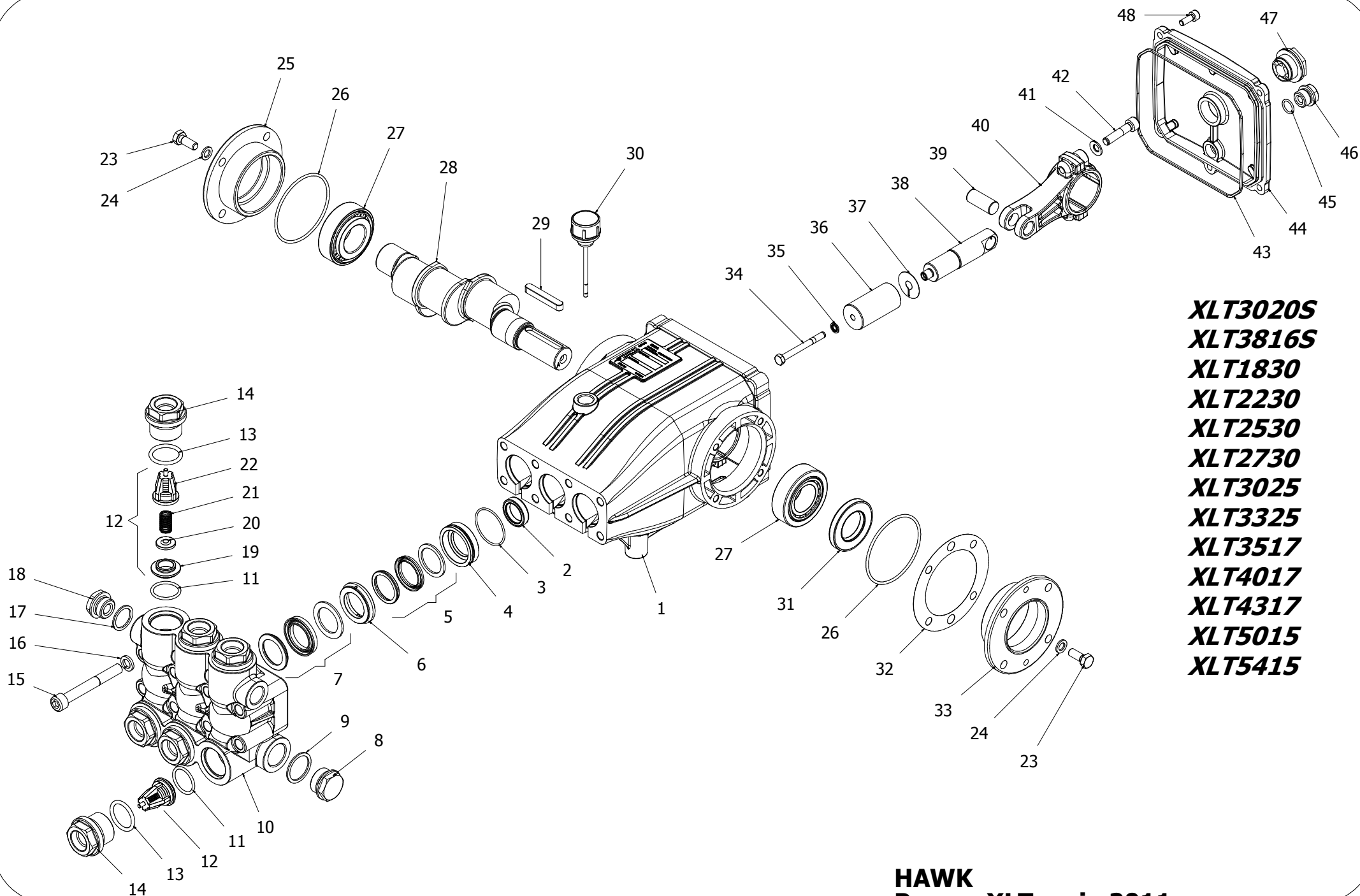
Dimensioni d'ingombro

Overall dimensions



Lubrificazione: Olio SAE 10W-40  
Capacità: 1.2 Litri  
Peso pompa: 17.2 Kg

Lubrication: SAE 10W-40 Oil  
Capacity: 1.2 Litres  
Weight: 17.2 Kg



***XLT3020S***  
***XLT3816S***  
***XLT1830***  
***XLT2230***  
***XLT2530***  
***XLT2730***  
***XLT3025***  
***XLT3325***  
***XLT3517***  
***XLT4017***  
***XLT4317***  
***XLT5015***  
***XLT5415***

**HAWK**  
**Pompe XLT serie 2011**  
**XLT pumps 2011 series**

**SPARE PARTS KIT**

**XLT 2011**

| Item  | Part Number & Description              | Q.ty<br>Pump | XLT3020S | XLT3816S | XLT1830 | XLT2230 | XLT2530 | XLT2730 | XLT3025 | XLT3325 | XLT3517 | XLT4017 | XLT4317 | XLT5015 | XLT5415 |
|---|--|--------------|----------|----------|---------|---------|---------|---------|---------|---------|---------|---------|---------|---------|---------|
|   |  |              |          |          |         |         |         |         |         |         |         |         |         |         |         |
| <b>3x (3- 5- 7)</b>   | 2601.26 Plunger Seals 20 mm            | 1            |          |          | ◆       | ◆       | ◆       | ◆       |         |         |         |         |         |         |         |
|   | 2601.25 Plunger Seals 22 mm            | 1            |          |          |         |         |         |         | ◆       | ◆       |         |         |         |         |         |
|   | 2601.13 Plunger Seals 25 mm            | 1            | ◆        |          |         |         |         |         |         |         | ◆       | ◆       | ◆       |         |         |
|   | 2601.15 Plunger Seals 28 mm            | 1            |          | ◆        |         |         |         |         |         |         |         |         |         | ◆       | ◆       |
| <b>3- 4- 5- 6- 7</b>  | 2601.28 Complete seal Packing 20 mm    | 3            |          |          | ◆       | ◆       | ◆       | ◆       |         |         |         |         |         |         |         |
|   | 2601.27 Complete seal Packing 22 mm    | 3            |          |          |         |         |         |         | ◆       | ◆       |         |         |         |         |         |
|   | 2601.14 Complete seal Packing 25 mm    | 3            | ◆        |          |         |         |         |         |         |         | ◆       | ◆       | ◆       |         |         |
|   | 2601.16 Complete seal Packing 28 mm    | 3            |          | ◆        |         |         |         |         |         |         |         |         |         | ◆       | ◆       |
| <b>34- 35- 36- 37</b>   | 2601.30 Plunger 20 mm                  | 3            |          |          | ◆       | ◆       | ◆       | ◆       |         |         |         |         |         |         |         |
|   | 2601.29 Plunger 22 mm                  | 3            |          |          |         |         |         |         | ◆       | ◆       |         |         |         |         |         |
|   | 2601.17 Plunger 25 mm                  | 3            | ◆        |          |         |         |         |         |         |         | ◆       | ◆       | ◆       |         |         |
|   | 2601.18 Plunger 28 mm                  | 3            |          | ◆        |         |         |         |         |         |         |         |         |         | ◆       | ◆       |
| <b>11- 12- 13</b>   | 2600.10 Complete Valve                 | 6            | ◆        | ◆        |         |         |         |         |         |         | ◆       | ◆       | ◆       | ◆       | ◆       |
|   | 2601.31 Complete Valve                 | 6            |          |          | ◆       | ◆       | ◆       | ◆       | ◆       | ◆       |         |         |         |         |         |
| <b>3x ( 2 )</b>   | 2600.03 Plunger oil Seal               | 1            | ◆        | ◆        | ◆       | ◆       | ◆       | ◆       | ◆       | ◆       | ◆       | ◆       | ◆       | ◆       | ◆       |
| <b>3- 4- 5- 6- 7- 8<br/>9- 10- 11- 12<br/>13- 14- 15- 16<br/>17- 18</b> | 2601.33 Complete Manifold 20 mm        | 1            |          |          | ◆       | ◆       | ◆       | ◆       |         |         |         |         |         |         |         |
|   | 2601.32 Complete Manifold 22 mm        | 1            |          |          |         |         |         |         | ◆       | ◆       |         |         |         |         |         |
|   | 2601.19 Complete Manifold 25 mm        | 1            | ◆        |          |         |         |         |         |         |         | ◆       | ◆       | ◆       |         |         |
|   | 2601.20 Complete Manifold 28 mm        | 1            |          | ◆        |         |         |         |         |         |         |         |         |         | ◆       | ◆       |
| <b>38- 39- 40- 41<br/>42</b>  | 3100.41 Connectin Rod-Plunger Rod Assy | 3            | ◆        | ◆        | ◆       | ◆       | ◆       | ◆       | ◆       | ◆       | ◆       | ◆       | ◆       | ◆       | ◆       |

## PARTS LIST

## XLT 2011

| Item | Part Number | Description              | Q.ty/Pu<br>mp | XL T3020S | XL T3816S | XL T1830 | XL T2290 | XL T2530 | XL T2730 | XL T3025 | XL T3325 | XL T3517 | XL T4017 | XL T4317 | XL T5015 | XL T5415 |
|------|-------------|--------------------------|---------------|-----------|-----------|----------|----------|----------|----------|----------|----------|----------|----------|----------|----------|----------|
|      |             |                          |               |           |           |          |          |          |          |          |          |          |          |          |          |          |
| *1   | 0202.97     | Crankcase                | 1             |           |           |          |          |          |          |          |          |          |          |          |          |          |
| *2   | 0001.01     | Plunger oil seal         | 3             | ◆         | ◆         | ◆        | ◆        | ◆        | ◆        | ◆        | ◆        | ◆        | ◆        | ◆        | ◆        | ◆        |
| *3   | 0601.08     | "O" Ring Ø1.78x37.82     | 3             |           |           |          |          |          |          |          |          |          |          |          |          |          |
| *4   | 1201.57     | Pressure ring 20 mm      | 3             |           |           | ◆        | ◆        | ◆        | ◆        |          |          |          |          |          |          |          |
|      | 1201.59     | Pressure ring 22 mm      | 3             |           |           |          |          |          |          | ◆        | ◆        |          |          |          |          |          |
|      | 1201.58     | Pressure ring 25 mm      | 3             | ◆         |           |          |          |          |          |          |          | ◆        | ◆        | ◆        |          |          |
|      | 1201.56     | Pressure ring 28 mm      | 3             |           | ◆         |          |          |          |          |          |          |          |          |          | ◆        | ◆        |
| *5   | 0002.52     | "U" seal, dia.20 mm      | 3             |           |           | ◆        | ◆        | ◆        | ◆        |          |          |          |          |          |          |          |
|      | 0002.53     | "U" seal, dia.22 mm      | 3             |           |           |          |          |          |          | ◆        | ◆        |          |          |          |          |          |
|      | 0002.57     | "U" seal, dia.25 mm      | 3             | ◆         |           |          |          |          |          |          |          | ◆        | ◆        | ◆        |          |          |
|      | 0002.69     | "U" seal, dia.28 mm      | 3             |           | ◆         |          |          |          |          |          |          |          |          |          | ◆        | ◆        |
| *6   | 0300.76     | Intermed. ring 20mm      | 3             |           |           | ◆        | ◆        | ◆        | ◆        |          |          |          |          |          |          |          |
|      | 0300.78     | Intermed. ring 22mm      | 3             |           |           |          |          |          |          | ◆        | ◆        |          |          |          |          |          |
|      | 0300.77     | Intermed. ring 25mm      | 3             | ◆         |           |          |          |          |          |          |          | ◆        | ◆        | ◆        |          |          |
|      | 0300.75     | Intermed. ring 28mm      | 3             |           | ◆         |          |          |          |          |          |          |          |          |          | ◆        | ◆        |
| *7   | 0002.61     | "U" seal, dia.20 mm      | 3             |           |           | ◆        | ◆        | ◆        | ◆        |          |          |          |          |          |          |          |
|      | 0002.62     | "U" seal, dia.22 mm      | 3             |           |           |          |          |          |          | ◆        | ◆        |          |          |          |          |          |
|      | 0002.72     | "U" seal, dia.25 mm      | 3             | ◆         |           |          |          |          |          |          |          | ◆        | ◆        | ◆        |          |          |
|      | 0002.65     | "U" seal, dia.28 mm      | 3             |           | ◆         |          |          |          |          |          |          |          |          |          | ◆        | ◆        |
| *8   | 1601.33     | Brass plug G3/4          | 1             | ◆         | ◆         | ◆        | ◆        | ◆        | ◆        | ◆        | ◆        | ◆        | ◆        | ◆        | ◆        | ◆        |
| *9   | 0603.11     | Copper washer 3/4        | 1             | ◆         | ◆         | ◆        | ◆        | ◆        | ◆        | ◆        | ◆        | ◆        | ◆        | ◆        | ◆        | ◆        |
| *10  | 1602.39     | Manifold housing Ø28/Ø25 | 1             | ◆         | ◆         |          |          |          |          |          |          | ◆        | ◆        | ◆        | ◆        | ◆        |
|      | 1602.40     | Manifold housing Ø22/Ø20 | 1             |           |           | ◆        | ◆        | ◆        | ◆        | ◆        | ◆        |          |          |          |          |          |
| *11  | 0601.66     | "O" Ring Ø2.62x25.7      | 6             | ◆         | ◆         |          |          |          |          |          |          | ◆        | ◆        | ◆        | ◆        | ◆        |
|      | 0605.06     | "O" Ring Ø2,62x21,89     | 6             |           |           | ◆        | ◆        | ◆        | ◆        | ◆        | ◆        |          |          |          |          |          |
| *12  | 3604.50     | Valve assembly           | 6             | ◆         | ◆         |          |          |          |          |          |          | ◆        | ◆        | ◆        | ◆        | ◆        |
|      | 3604.76     | Valve assembly           | 6             |           |           | ◆        | ◆        | ◆        | ◆        | ◆        | ◆        |          |          |          |          |          |
| *13  | 0601.67     | "O" Ring Ø3.53x26.58     | 6             | ◆         | ◆         |          |          |          |          |          |          | ◆        | ◆        | ◆        | ◆        | ◆        |
|      | 0601.87     | "O" Ring Ø3,53x25,80-134 | 6             |           |           | ◆        | ◆        | ◆        | ◆        | ◆        | ◆        |          |          |          |          |          |
| *14  | 1601.31     | Valve plug               | 6             | ◆         | ◆         |          |          |          |          |          |          | ◆        | ◆        | ◆        | ◆        | ◆        |
|      | 1601.74     | Valve plug               | 6             |           |           | ◆        | ◆        | ◆        | ◆        | ◆        | ◆        |          |          |          |          |          |
| *15  | 1801.40     | Manifold stud bolt       | 8             |           |           |          |          |          |          |          |          |          |          |          |          |          |
| *16  | 1403.01     | Lock-Washer              | 8             | ◆         | ◆         | ◆        | ◆        | ◆        | ◆        | ◆        | ◆        | ◆        | ◆        | ◆        | ◆        | ◆        |
| *17  | 0603.07     | Copper washer 1/2        | 1             |           |           |          |          |          |          |          |          |          |          |          |          |          |
| *18  | 1601.20     | Brass plug 1/2           | 1             |           |           |          |          |          |          |          |          |          |          |          |          |          |
| 19   | 1503.19     | Valve seat               | 6             | ◆         | ◆         |          |          |          |          |          |          | ◆        | ◆        | ◆        | ◆        | ◆        |
|      | 1503.40     | Valve seat               | 6             |           |           | ◆        | ◆        | ◆        | ◆        | ◆        | ◆        |          |          |          |          |          |
| 20   | 1202.08     | Valve plate              | 6             |           |           |          |          |          |          |          |          |          |          |          |          |          |
| 21   | 0900.32     | Valve spring             | 6             |           |           |          |          |          |          |          |          |          |          |          |          |          |
| 22   | 0604.06     | Valve cage               | 6             |           |           |          |          |          |          |          |          |          |          |          |          |          |
| 23   | 1802.05     | Hexagonal screw          | 8             | ◆         | ◆         | ◆        | ◆        | ◆        | ◆        | ◆        | ◆        | ◆        | ◆        | ◆        | ◆        | ◆        |
| 24   | 1400.01     | Washer                   | 8             |           |           |          |          |          |          |          |          |          |          |          |          |          |
| 25   | 0500.54     | Closed bearing housing   | 1             |           |           |          |          |          |          |          |          |          |          |          |          |          |
| 26   | 0601.00     | "O" Ring Ø2.62x71.12     | 2             |           |           |          |          |          |          |          |          |          |          |          |          |          |
| 27   | 0200.04     | Roller bearing           | 2             |           |           |          |          |          |          |          |          |          |          |          |          |          |
| 28   | 0006.35     | Crankshaft Ø25           | 1             |           |           | ◆        |          |          |          |          |          |          |          |          |          |          |
|      | 0006.33     | Crankshaft Ø25           | 1             |           |           |          | ◆        |          |          |          |          | ◆        |          |          |          |          |
|      | 0006.34     | Crankshaft Ø25           | 1             |           |           |          |          | ◆        |          | ◆        |          |          | ◆        |          | ◆        |          |
|      | 0006.26     | Crankshaft Ø25           | 1             | ◆         | ◆         |          |          |          | ◆        |          | ◆        |          |          | ◆        |          | ◆        |

# XLT 2011

## PARTS LIST

| Item | Part Number | Description           | Q.ty/Pu<br>mp | XLT3020S | XLT3816S | XLT1830 | XLT2230 | XLT2530 | XLT2730 | XLT3025 | XLT3325 | XLT3517 | XLT4017 | XLT4317 | XLT5015 | XLT5415 |
|------|-------------|-----------------------|---------------|----------|----------|---------|---------|---------|---------|---------|---------|---------|---------|---------|---------|---------|
| 29   | 0206.05     | Crankshaft key        | 1             |          |          |         |         |         |         |         |         |         |         |         |         |         |
| 30   | 1600.16     | Oil dip stick         | 1             |          |          |         |         |         |         |         |         |         |         |         |         |         |
| 31   | 0001.00     | Crankshaft seal       | 1             |          |          |         |         |         |         |         |         |         |         |         |         |         |
| 32   | 0301.00     | Shim                  | 1             | ◆        | ◆        | ◆       | ◆       | ◆       | ◆       | ◆       | ◆       | ◆       | ◆       | ◆       | ◆       | ◆       |
| 33   | 0500.53     | Bearing housing       | 1             |          |          |         |         |         |         |         |         |         |         |         |         |         |
| *34  | 1802.23     | Plunger bolt          | 3             |          |          |         |         |         |         |         |         |         |         |         |         |         |
| *35  | 1400.10     | Copper spacer         | 3             |          |          |         |         |         |         |         |         |         |         |         |         |         |
| *36  | 1200.32     | Plunger 20 mm         | 3             |          |          | ◆       | ◆       | ◆       | ◆       |         |         |         |         |         |         |         |
|      | 1200.34     | Plunger 22 mm         | 3             |          |          |         |         |         |         | ◆       | ◆       |         |         |         |         |         |
|      | 1200.33     | Plunger 25 mm         | 3             | ◆        |          |         |         |         |         |         |         | ◆       | ◆       | ◆       |         |         |
|      | 1200.30     | Plunger 28 mm         | 3             |          | ◆        |         |         |         |         |         |         |         |         |         | ◆       | ◆       |
| *37  | 1400.57     | Copper spacer         | 3             |          |          |         |         |         |         |         |         |         |         |         |         |         |
| *38  | 0003.32     | Plunger rod           | 3             |          |          |         |         |         |         |         |         |         |         |         |         |         |
| *39  | 1502.07     | Connecting rod pin    | 3             |          |          |         |         |         |         |         |         |         |         |         |         |         |
| *40  | 0100.10     | Connecting rod        | 3             |          |          |         |         |         |         |         |         |         |         |         |         |         |
| *41  | 1401.03     | Spring washer         | 6             |          |          |         |         |         |         |         |         |         |         |         |         |         |
| 42   | 1801.01     | Connecting rod screw  | 6             | ◆        | ◆        | ◆       | ◆       | ◆       | ◆       | ◆       | ◆       | ◆       | ◆       | ◆       | ◆       | ◆       |
| 43   | 0601.85     | "O" Ring Ø2,62x152,07 | 1             |          |          |         |         |         |         |         |         |         |         |         |         |         |
| 44   | 0203.63     | Crankcase cover       | 1             |          |          |         |         |         |         |         |         |         |         |         |         |         |
| 45   | 0601.14     | "O" Ring Ø1,78x14,00  | 1             |          |          |         |         |         |         |         |         |         |         |         |         |         |
| 46   | 1601.17     | Brass plug 3/8        | 1             |          |          |         |         |         |         |         |         |         |         |         |         |         |
| 47   | 0700.05     | Sight glass, G3/4     | 1             |          |          |         |         |         |         |         |         |         |         |         |         |         |
| 48   | 1801.41     | Cover screw           | 5             |          |          |         |         |         |         |         |         |         |         |         |         |         |

**Part available  
in kit only**

**\* Part available  
in kit also**

| Posizioni   | Codice e Descrizione                                  | Q.tà<br>Pompa | XLT3020S | XLT3816S | XLT1830 | XLT2230 | XLT2530 | XLT2730 | XLT3025 | XLT3325 | XLT3517 | XLT4017 | XLT4317 | XLT5015 | XLT5415 |
|---|---|---------------|----------|----------|---------|---------|---------|---------|---------|---------|---------|---------|---------|---------|---------|
|   |   |               |          |          |         |         |         |         |         |         |         |         |         |         |         |
| 3x (3- 5- 7)  | 2601.26 <i>Guarnizioni pistone Ø20</i>                | 1             |          |          | ◆       | ◆       | ◆       | ◆       |         |         |         |         |         |         |         |
|   | 2601.25 <i>Guarnizioni pistone Ø22</i>                | 1             |          |          |         |         |         |         | ◆       | ◆       |         |         |         |         |         |
|   | 2601.13 <i>Guarnizioni pistone Ø25</i>                | 1             | ◆        |          |         |         |         |         |         |         | ◆       | ◆       | ◆       |         |         |
|   | 2601.15 <i>Guarnizioni pistone Ø28</i>                | 1             |          | ◆        |         |         |         |         |         |         |         |         |         | ◆       | ◆       |
| 3- 4- 5- 6- 7   | 2601.28 <i>Pacco completo Guarnizioni pistone Ø20</i> | 3             |          |          | ◆       | ◆       | ◆       | ◆       |         |         |         |         |         |         |         |
|   | 2601.27 <i>Pacco completo Guarnizioni pistone Ø22</i> | 3             |          |          |         |         |         |         | ◆       | ◆       |         |         |         |         |         |
|   | 2601.14 <i>Pacco completo Guarnizioni pistone Ø25</i> | 3             | ◆        |          |         |         |         |         |         |         | ◆       | ◆       | ◆       |         |         |
|   | 2601.16 <i>Pacco completo Guarnizioni pistone Ø28</i> | 3             |          | ◆        |         |         |         |         |         |         |         |         |         | ◆       | ◆       |
| 34- 35- 36- 37  | 2601.30 <i>Pistone Ø20</i>                            | 3             |          |          | ◆       | ◆       | ◆       | ◆       |         |         |         |         |         |         |         |
|   | 2601.29 <i>Pistone Ø22</i>                            | 3             |          |          |         |         |         |         | ◆       | ◆       |         |         |         |         |         |
|   | 2601.17 <i>Pistone Ø25</i>                            | 3             | ◆        |          |         |         |         |         |         |         | ◆       | ◆       | ◆       |         |         |
|   | 2601.18 <i>Pistone Ø28</i>                            | 3             |          | ◆        |         |         |         |         |         |         |         |         |         | ◆       | ◆       |
| 11- 12- 13  | 2600.10 <i>Valvola completa</i>                       | 6             | ◆        | ◆        |         |         |         |         |         |         | ◆       | ◆       | ◆       | ◆       | ◆       |
|   | 2601.31 <i>Valvola completa</i>                       | 6             |          |          | ◆       | ◆       | ◆       | ◆       | ◆       | ◆       |         |         |         |         |         |
| 3x ( 2 )  | 2600.03 <i>Anelli tenuta olio Asta</i>                | 1             | ◆        | ◆        | ◆       | ◆       | ◆       | ◆       | ◆       | ◆       | ◆       | ◆       | ◆       | ◆       | ◆       |
| 3- 4- 5- 6- 7- 8<br>9- 10- 11- 12<br>13- 14- 15- 16<br>17- 18 | 2601.33 <i>Testata Completa Ø20</i>                   | 1             |          |          | ◆       | ◆       | ◆       | ◆       |         |         |         |         |         |         |         |
|   | 2601.32 <i>Testata Completa Ø22</i>                   | 1             |          |          |         |         |         |         | ◆       | ◆       |         |         |         |         |         |
|   | 2601.19 <i>Testata Completa Ø25</i>                   | 1             | ◆        |          |         |         |         |         |         |         | ◆       | ◆       | ◆       |         |         |
|   | 2601.20 <i>Testata Completa Ø28</i>                   | 1             |          | ◆        |         |         |         |         |         |         |         |         |         | ◆       | ◆       |
| 38- 39- 40- 41<br>42  | 3100.41 <i>Premontato asta-biella</i>                 | 3             | ◆        | ◆        | ◆       | ◆       | ◆       | ◆       | ◆       | ◆       | ◆       | ◆       | ◆       | ◆       | ◆       |

| Pos. | Codice  | Descrizione            | Q.tà/Po<br>mpa | XLT3020S | XLT3816S | XLT1830 | XLT2290 | XLT2530 | XLT2730 | XLT3025 | XLT3325 | XLT3517 | XLT4017 | XLT4317 | XLT5015 | XLT5415 |
|------|---------|------------------------|----------------|----------|----------|---------|---------|---------|---------|---------|---------|---------|---------|---------|---------|---------|
|      |         |                        |                |          |          |         |         |         |         |         |         |         |         |         |         |         |
| *1   | 0202.97 | Carter                 | 1              |          |          |         |         |         |         |         |         |         |         |         |         |         |
| *2   | 0001.01 | Anello radiale         | 3              | ◆        | ◆        | ◆       | ◆       | ◆       | ◆       | ◆       | ◆       | ◆       | ◆       | ◆       | ◆       | ◆       |
| *3   | 0601.08 | "O" Ring Ø1.78x37.82   | 3              |          |          |         |         |         |         |         |         |         |         |         |         |         |
| *4   | 1201.57 | Pressore Ø20           | 3              |          |          | ◆       | ◆       | ◆       | ◆       |         |         |         |         |         |         |         |
|      | 1201.59 | Pressore Ø22           | 3              |          |          |         |         |         |         | ◆       | ◆       |         |         |         |         |         |
|      | 1201.58 | Pressore Ø25           | 3              | ◆        |          |         |         |         |         |         |         | ◆       | ◆       | ◆       |         |         |
|      | 1201.56 | Pressore Ø28           | 3              |          | ◆        |         |         |         |         |         |         |         |         |         | ◆       | ◆       |
| *5   | 0002.52 | Anello tenuta "U" Ø20  | 3              |          |          | ◆       | ◆       | ◆       | ◆       |         |         |         |         |         |         |         |
|      | 0002.53 | Anello tenuta "U" Ø22  | 3              |          |          |         |         |         |         | ◆       | ◆       |         |         |         |         |         |
|      | 0002.57 | Anello tenuta "U" Ø25  | 3              | ◆        |          |         |         |         |         |         |         | ◆       | ◆       | ◆       |         |         |
|      | 0002.69 | Anello tenuta "U" Ø28  | 3              |          | ◆        |         |         |         |         |         |         |         |         |         | ◆       | ◆       |
| *6   | 0300.76 | Diffusore interm. Ø20  | 3              |          |          | ◆       | ◆       | ◆       | ◆       |         |         |         |         |         |         |         |
|      | 0300.78 | Diffusore interm. Ø22  | 3              |          |          |         |         |         |         | ◆       | ◆       |         |         |         |         |         |
|      | 0300.77 | Diffusore interm. Ø25  | 3              | ◆        |          |         |         |         |         |         |         | ◆       | ◆       | ◆       |         |         |
|      | 0300.75 | Diffusore interm. Ø28  | 3              |          | ◆        |         |         |         |         |         |         |         |         |         | ◆       | ◆       |
| *7   | 0002.61 | Anello tenuta "U" Ø25  | 3              |          |          | ◆       | ◆       | ◆       | ◆       |         |         |         |         |         |         |         |
|      | 0002.62 | Anello tenuta "U" Ø25  | 3              |          |          |         |         |         |         | ◆       | ◆       |         |         |         |         |         |
|      | 0002.72 | Anello tenuta "U" Ø25  | 3              | ◆        |          |         |         |         |         |         |         | ◆       | ◆       | ◆       |         |         |
|      | 0002.65 | Anello tenuta "U" Ø28  | 3              |          | ◆        |         |         |         |         |         |         |         |         |         | ◆       | ◆       |
| *8   | 1601.33 | Tappo G3/4             | 1              | ◆        | ◆        | ◆       | ◆       | ◆       | ◆       | ◆       | ◆       | ◆       | ◆       | ◆       | ◆       | ◆       |
| *9   | 0603.11 | Guarnizione rame G3/4  | 1              | ◆        | ◆        | ◆       | ◆       | ◆       | ◆       | ◆       | ◆       | ◆       | ◆       | ◆       | ◆       | ◆       |
| *10  | 1602.39 | Testata Ø28/Ø25        | 1              | ◆        | ◆        |         |         |         |         |         |         | ◆       | ◆       | ◆       | ◆       | ◆       |
|      | 1602.40 | Testata Ø22/Ø20        | 1              |          |          | ◆       | ◆       | ◆       | ◆       | ◆       | ◆       |         |         |         |         |         |
| *11  | 0601.66 | "O" Ring Ø2,62x25,07   | 6              | ◆        | ◆        |         |         |         |         |         |         | ◆       | ◆       | ◆       | ◆       | ◆       |
|      | 0605.06 | "O" Ring Ø2,62x21,89   | 6              |          |          | ◆       | ◆       | ◆       | ◆       | ◆       | ◆       |         |         |         |         |         |
| *12  | 3604.50 | Valvola premontata     | 6              | ◆        | ◆        |         |         |         |         |         |         | ◆       | ◆       | ◆       | ◆       | ◆       |
|      | 3604.76 | Valvola premontata     | 6              |          |          | ◆       | ◆       | ◆       | ◆       | ◆       | ◆       |         |         |         |         |         |
| *13  | 0601.67 | "O" Ring Ø3.53x26.58   | 6              | ◆        | ◆        |         |         |         |         |         |         | ◆       | ◆       | ◆       | ◆       | ◆       |
|      | 0601.87 | "O" Ring Ø3,53x25,80   | 6              |          |          | ◆       | ◆       | ◆       | ◆       | ◆       | ◆       |         |         |         |         |         |
| *14  | 1601.31 | Tappo valvola          | 6              | ◆        | ◆        |         |         |         |         |         |         | ◆       | ◆       | ◆       | ◆       | ◆       |
|      | 1601.74 | Tappo valvola          | 6              |          |          | ◆       | ◆       | ◆       | ◆       | ◆       | ◆       |         |         |         |         |         |
| *15  | 1801.40 | Vite M10x80            | 8              |          |          |         |         |         |         |         |         |         |         |         |         |         |
| *16  | 1403.01 | Rosetta elastica Ø10,2 | 8              | ◆        | ◆        | ◆       | ◆       | ◆       | ◆       | ◆       | ◆       | ◆       | ◆       | ◆       | ◆       | ◆       |
| *17  | 0603.07 | Guarnizione rame G1/2  | 1              |          |          |         |         |         |         |         |         |         |         |         |         |         |
| *18  | 1601.20 | Tappo G1/2             | 1              |          |          |         |         |         |         |         |         |         |         |         |         |         |
| 19   | 1503.19 | Sede valvola           | 6              | ◆        | ◆        |         |         |         |         |         |         | ◆       | ◆       | ◆       | ◆       | ◆       |
|      | 1503.40 | Sede valvola           | 6              |          |          | ◆       | ◆       | ◆       | ◆       | ◆       | ◆       |         |         |         |         |         |
| 20   | 1202.08 | Piattello valvola      | 6              |          |          |         |         |         |         |         |         |         |         |         |         |         |
| 21   | 0900.32 | Molla valvola          | 6              |          |          |         |         |         |         |         |         |         |         |         |         |         |
| 22   | 0604.06 | Gabbia valvola         | 6              |          |          |         |         |         |         |         |         |         |         |         |         |         |
| 23   | 1802.05 | Vite M8x20             | 8              | ◆        | ◆        | ◆       | ◆       | ◆       | ◆       | ◆       | ◆       | ◆       | ◆       | ◆       | ◆       | ◆       |
| 24   | 1400.01 | Rosetta Ø8.5           | 8              |          |          |         |         |         |         |         |         |         |         |         |         |         |
| 25   | 0500.54 | Flangia chiusa         | 1              |          |          |         |         |         |         |         |         |         |         |         |         |         |
| 26   | 0601.00 | "O" Ring Ø2.62x71.12   | 2              |          |          |         |         |         |         |         |         |         |         |         |         |         |
| 27   | 0200.04 | Cuscinetto a rulli     | 2              |          |          |         |         |         |         |         |         |         |         |         |         |         |
| 28   | 0006.35 | Albero eccentrico Ø25  | 1              |          |          | ◆       |         |         |         |         |         |         |         |         |         |         |
|      | 0006.33 | Albero eccentrico Ø25  | 1              |          |          |         | ◆       |         |         |         |         | ◆       |         |         |         |         |
|      | 0006.34 | Albero eccentrico Ø25  | 1              |          |          |         |         | ◆       |         | ◆       |         |         | ◆       |         | ◆       |         |
|      | 0006.26 | Albero eccentrico Ø25  | 1              | ◆        | ◆        |         |         |         | ◆       |         | ◆       |         |         | ◆       |         | ◆       |



| Pos. | Codice  | Descrizione            | Q.tà/Po<br>mpa | XLT3020S | XLT3816S | XLT1830 | XLT2290 | XLT2530 | XLT2730 | XLT3025 | XLT3325 | XLT3517 | XLT4017 | XLT4317 | XLT5015 | XLT5415 |
|------|---------|------------------------|----------------|----------|----------|---------|---------|---------|---------|---------|---------|---------|---------|---------|---------|---------|
| 29   | 0206.05 | Chiavetta              | 1              |          |          |         |         |         |         |         |         |         |         |         |         |         |
| 30   | 1600.16 | Tappo livello olio     | 1              |          |          |         |         |         |         |         |         |         |         |         |         |         |
| 31   | 0001.00 | Anello radiale         | 1              |          |          |         |         |         |         |         |         |         |         |         |         |         |
| 32   | 0301.00 | Distanziale            | 1              | ◆        | ◆        | ◆       | ◆       | ◆       | ◆       | ◆       | ◆       | ◆       | ◆       | ◆       | ◆       | ◆       |
| 33   | 0500.53 | Flangia aperta         | 1              |          |          |         |         |         |         |         |         |         |         |         |         |         |
| *34  | 1802.23 | Vite pistone           | 3              |          |          |         |         |         |         |         |         |         |         |         |         |         |
| *35  | 1400.10 | Rosetta rame           | 3              |          |          |         |         |         |         |         |         |         |         |         |         |         |
| *36  | 1200.32 | Pistone Ø20            | 3              |          |          | ◆       | ◆       | ◆       | ◆       |         |         |         |         |         |         |         |
|      | 1200.34 | Pistone Ø25            | 3              |          |          |         |         |         |         | ◆       | ◆       |         |         |         |         |         |
|      | 1200.33 | Pistone Ø25            | 3              | ◆        |          |         |         |         |         |         |         | ◆       | ◆       | ◆       |         |         |
|      | 1200.30 | Pistone Ø28            | 3              |          | ◆        |         |         |         |         |         |         |         |         |         | ◆       | ◆       |
| *37  | 1400.57 | Rosetta rame           | 3              |          |          |         |         |         |         |         |         |         |         |         |         |         |
| *38  | 0003.32 | Asta pistone           | 3              |          |          |         |         |         |         |         |         |         |         |         |         |         |
| *39  | 1502.07 | Spinotto               | 3              |          |          |         |         |         |         |         |         |         |         |         |         |         |
| *40  | 0100.10 | Biella completa        | 3              |          |          |         |         |         |         |         |         |         |         |         |         |         |
| *41  | 1401.03 | Rosetta elastica Ø8    | 6              |          |          |         |         |         |         |         |         |         |         |         |         |         |
| 42   | 1801.01 | Vite M8x35             | 6              |          |          |         |         |         |         |         |         |         |         |         |         |         |
| 43   | 0601.85 | "O" Ring Ø2,62x152,07  | 1              | ◆        | ◆        | ◆       | ◆       | ◆       | ◆       | ◆       | ◆       | ◆       | ◆       | ◆       | ◆       | ◆       |
| 44   | 0203.63 | Coperchio              | 1              |          |          |         |         |         |         |         |         |         |         |         |         |         |
| 45   | 0601.14 | "O" Ring Ø1,78x14,00   | 1              |          |          |         |         |         |         |         |         |         |         |         |         |         |
| 46   | 1601.17 | Tappo G3/8             | 1              |          |          |         |         |         |         |         |         |         |         |         |         |         |
| 47   | 0700.05 | Spia livello olio G3/4 | 1              |          |          |         |         |         |         |         |         |         |         |         |         |         |
| 48   | 1801.41 | Vite M6x20             | 5              |          |          |         |         |         |         |         |         |         |         |         |         |         |

Particolare disponibile  
solo in kit

\* Particolare disponibile  
anche in kit