

Standard Parts List: KH5020D

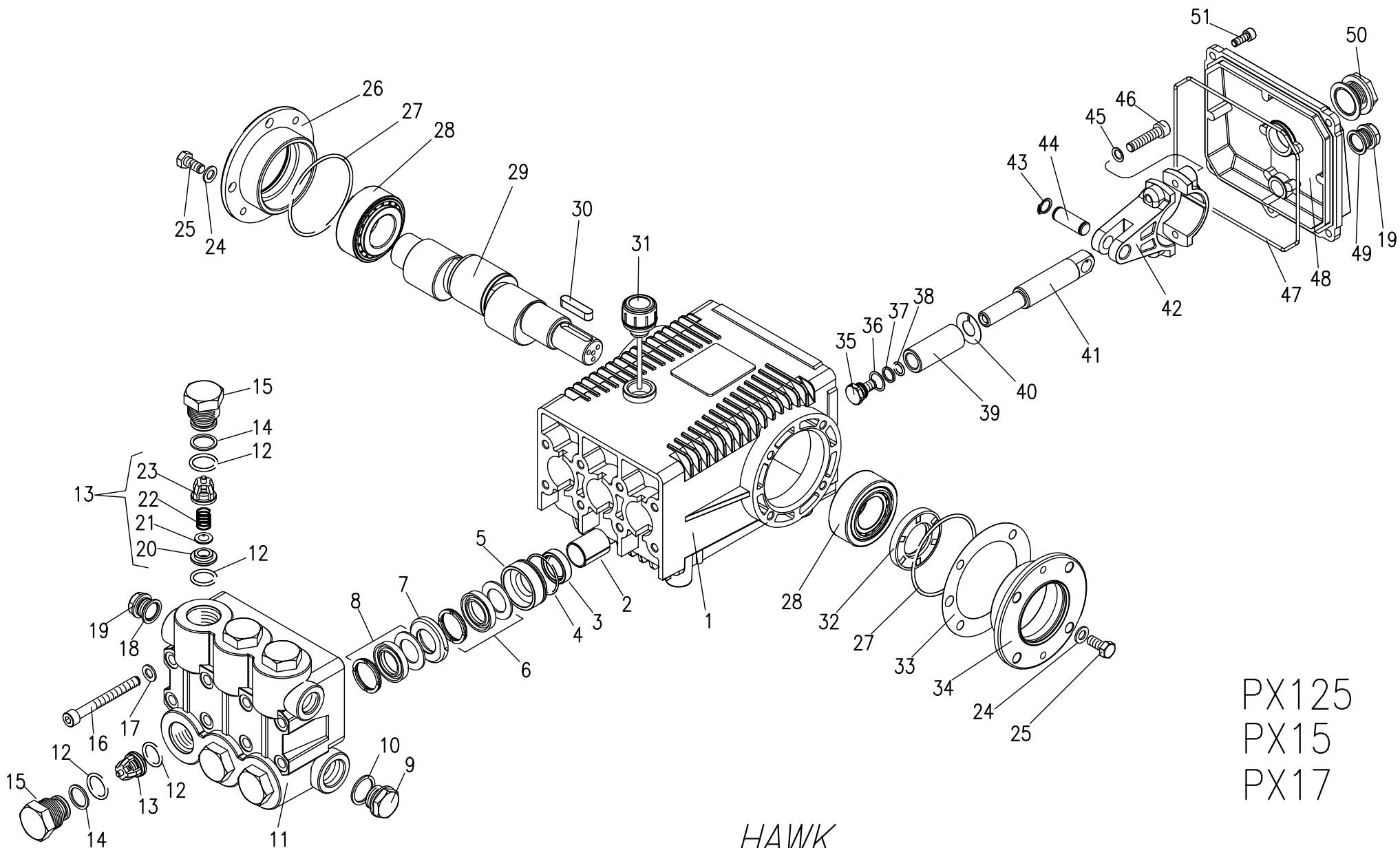
KH5020D	Part Number	Description
Gun & Lance	E30.4570.12	RI56 Gun + 1200Mm Lance
Hose	H PHD66MF10	Kerrick Water Blasting Hose 3/8" 2 Wire , 10M
Nozzle (Pressure)	NOZ WJ1/4 15 045	Nozzle Washjet SS 1/4 15/045
Frame	KB0296	Gal Frame Large shaped with Kerrick
Wheels	KB0269	3.50X6 Wheel To Suit New Frame
Pump	HP PX17R	Pump, 5000psi, 20Lpm 25Mmshaft
Gearbox	E50.0064.00	B24 Gear Box to suit GX660
Motor (Electric Start)	MK KD477	22HP Kohler Engine
Pressure Regulator	E60.0430.00	Vb80/400 S/S Valve 400 Bar

Note: Parts listed are for standard units only. Variations may occur to meet individual customer needs and applications (e.g. hose, gun and lance combinations).

Variations will also occur when units have been altered to meet clients flow and pressure requirements.

Parts listed are indicative only and may be modified without notice.





PX125
 PX15
 PX17

HAWK
Pompe serie PX-2006
PX-2006 series pumps

**SPARE PARTS LIST
PX SERIES 2006**

**LISTA RICAMBI
SERIE PX 2006**

Pos. Item	Codice Part Number	Description	Descrizione	Q.tà/Pompa Q.ty/Pump	PX125	PX15	PX17
1	0202.10	Crankcase	Carter	1			
2	0602.00	Plunger guide	Guida asta pistone	3			
*3	0001.01	Plunger oil seal	Anello radiale	3			
*4	0601.08	"O" Ring Ø1.78x37,82	"O" Ring Ø1.78x37,82	3			
*5	1201.33	Pressure ring 18 mm	Pressore Ø18	3			
*6	0002.51	"U" seal, dia. 18x26 mm	Anello tenuta "U" Ø18x26	3			
*7	0300.53	Support ring 18mm	Diffusore Ø18	3			
*8	0002.50	"U" seal, dia. 18x28 mm	Anello tenuta "U" Ø18x28	3			
9	1601.20	Brass plug 1/2	Tappo G1/2	1			
10	0603.07	Copper washer 1/2	Guarnizione rame G1/2	1			
11	1602.29	Manifold housing	Testata	1			
*12	0601.23	"O" Ring Ø2.62x17,13	"O" Ring Ø2.62x17,13	12			
*13	3604.40	Valve assembly	Valvola premontata	6			
*14	0009.10	Teflon ring	Anello antiestrusione	6			
15	1601.10	Valve plug	Tappo valvola	6	®	®	®
16	1801.33	Manifold stud bolt	Vite M10x90	8			
17	1403.01	Lock Washer	Rosetta Elast Ø10,2	8			
18	0603.06	Copper washer 3/8	Guarnizione rame G3/8	1			
19	1601.17	Brass plug 3/8	Tappo G3/8	2			
20	1503.27	Valve seat	Sede valvola	6			
21	1202.00	Valve plate	Piattello valvola	6			
22	0900.30	Valve spring	Molla valvola	6			
23	0604.05	Valve cage	Gabbia valvola	6			
24	1400.01	Washer	Rosetta Ø8,5	8			
25	1802.03	Hexagonal screw	Vite M8x18	8			
26	0500.58	Closed bearing housing	Flangia chiusa	1			
27	0601.00	"O" Ring Ø2.62x71.12	"O" Ring Ø2.62x71.12	2			
28	0200.05	Roller bearing	Cuscinetto a rulli	2			
29	0004.75	Crankshaft	Albero eccentrico	1	®		
	0004.47	Crankshaft	Albero eccentrico	1		®	
	0004.74	Crankshaft	Albero eccentrico	1			®
30	0206.05	Crankshaft key	Chiavetta	1			
31	1600.07	Oil dip stick	Tappo livello olio	1			
32	0001.00	Crankshaft seal	Anello radiale	1			
33	0301.00	Shim	Distanziale	2			
34	0500.57	Bearing housing	Flangia	1			
*35	1800.01	Plunger bolt	Vite pistone	3			
*36	1400.12	Copper spacer	Rosetta rame	3			
*37	0601.03	"O" Ring Ø1.78x7.66	"O" Ring Ø1.78x7.66	3	®	®	®
*38	0009.04	Teflon ring	Anello antiestrusione	3			
*39	1200.09	Plunger 18mm	Pistone Ø18	3			
*40	1400.15	Copper spacer	Rosetta rame	3			
41	0003.10	Plunger rod	Asta pistone	3			
42	0100.00	Connecting rod	Biella completa	3			
43	1500.00	Snap ring	Anello Ø10	6			
44	1502.00	Connecting rod pin	Spinotto	3			
45	1401.03	Spring washer	Rosetta elastica Ø8	6			

**SPARE PARTS LIST
PX SERIES 2006**

**LISTA RICAMBI
SERIE PX 2006**

Pos. Item	Codice Part Number	Description	Descrizione	Q.tà/Pompa Q.ty/Pump	PX125	PX15	PX17
46	1801.01	Connecting rod screw	Vite M8x35	6	®	®	®
47	0601.85	"O" Ring Ø2.62x152.07	"O" Ring Ø2.62x152.07	1			
48	0203.51	Crankcase cover	Coperchio	1			
49	0603.02	Gasket, G3/8	Guarnizione G3/8	1			
50	0700.05	Sight glass, G3/4	Spia livello olio G3/4	1			
51	1801.12	Cover screw	Vite M6x16	5			

		Part available in kit only	Particolare disponibile solo in kit
*		Part available in kit also	Particolare disponibile anche in kit

SPARE PARTS KIT

KIT RICAMBI

Posizioni Item	Part Number & Description	Codice e Descrizione	Q.tà/Pompa Q.ty/Pump	PX125	PX15	PX17
4- 6- 8	2602.20 Plunger Seals 18 mm	2602.20 Guarnizioni pistone Ø18	1	®	®	®
3- 4- 5- 6- 7- 8	2602.21 Complete seal Packing 18 mm	2602.21 Pacco completo Guarnizioni pistone Ø18	3	®	®	®
35- 36- 37- 38 39- 40	2612.07 Plunger 18 mm	2612.07 Pistone Ø18	3	®	®	®
12- 13- 14	2600.17 Complete Valve	2600.17 Valvola completa	6	®	®	®
3	2600.03 Plunger oil Seals	2600.03 Anelli tenuta olio Asta	1	®	®	®

Overall dimensions PX125 – PX15 – PX17 (2006)

