

Standard Parts List: KI3015D

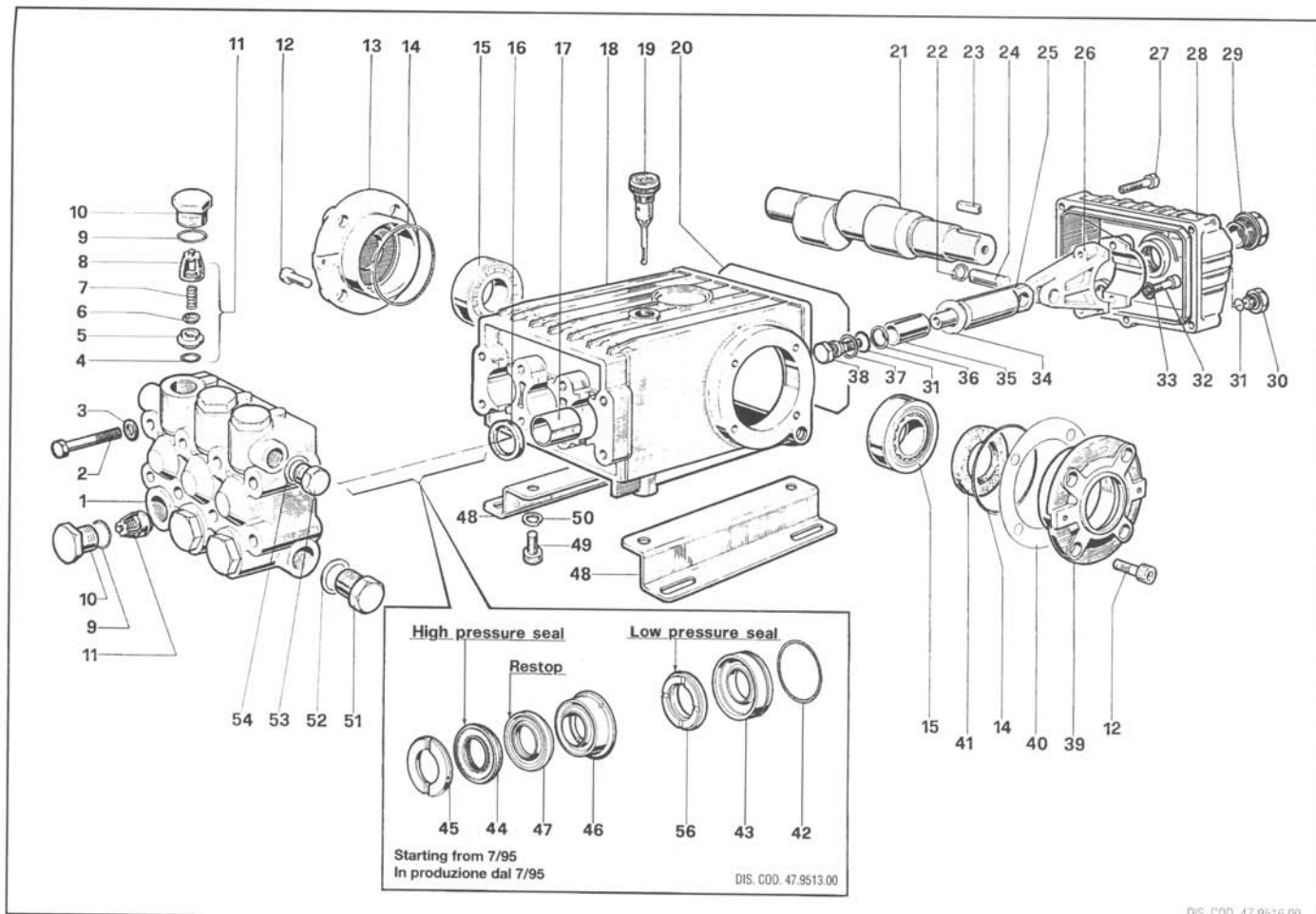
| KI3015D | Part Number | Description |
|------------------------------|------------------|---|
| Gun | E30.1281.00 | RL37 Gun & 1/2 Lance with swivel |
| Lance | E41.0919.00 | 500mm Double Lance |
| Hose | H PHD66MF10 | Kerrick Water Blasting Hose 3/8" 2 Wire , 10M |
| Nozzle (Pressure) | NOZ WJ1/4 15 05 | Nozzle Washjet SS 1/4 15/050 |
| Nozzle (Dump / Low Pressure) | NOZ DUMP 1/4 MEG | Nozzle Dump 1/4 |
| Frame | KB0235 | Gal Frame L Shaped |
| Wheels | KB0269 | 3.50X6 Wheel To Suit New Frame |
| Pump | IP WS201 | Interpump 2900psi 15Lpm 1450Rpm |
| Gearbox | IP ZONDA3 | Gearbox Rs151 24Mm |
| Motor (Electric Start) | MK KD440 | 10.1HP Kohler Engine |
| Pressure Regulator | IP ZK71 | Auto Pressure Reg K7.1 |

Note: Parts listed are for standard units only. Variations may occur to meet individual customer needs and applications (e.g. hose, gun and lance combinations).

Variations will also occur when units have been altered to meet clients flow and pressure requirements.

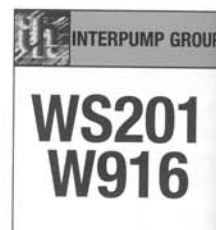
Parts listed are indicative only and may be modified without notice.





DIS. COD. 47.9516.00

| KIT N. | KIT 1 | KIT 2 | KIT 3 | KIT 5 | KIT 6 | KIT 7 | KIT 69 | KIT 71 | KIT 10 | KIT 28 |
|--------------------|----------------|-------|-------|-------|----------------|-------|----------|--------|--------|----------------------|
| Positions Included | 4-5-6-7-8-(11) | 16 | 41 | 9-10 | 31-34-36-37-38 | 45 | 44-47-56 | 46-47 | 42-43 | 42-43-44-45-46-47-56 |
| Posizioni Include | | | | | | | | | | |
| N. pcs. | 6 | 3 | 2 | 6 | 3 | 6 | 3 | 3 | 3 | 1 |



| POS. | CODE CODICE | DESCRIPTION DESCRIZIONE | N. PCS. |
|------|-------------|---------------------------------------|---------|
| 1 | 47.1202.41 | Testata Nickel | 1 |
| 2 | 99.3206.00 | Vite M8x70 UNI 5737 | 8 |
| 3 | 96.7020.00 | Rosetta Ø 8 UNI 1736 | 8 |
| 4 | 90.3841.00 | OR Ø 17,13x2,62 | KIT 1 6 |
| 5 | 36.2003.66 | Sede valvola | KIT 1 6 |
| 6 | 36.2001.76 | Valvola | KIT 1 6 |
| 7 | 94.7376.00 | Molla Ø 9,4x14,8 | KIT 1 6 |
| 8 | 36.2002.51 | Guida valvola | KIT 1 6 |
| 9 | 90.3847.00 | OR Ø 20,24x2,62 | KIT 5 6 |
| 10 | 98.2222.00 | Tappo M 24x2x16 spec. NK | KIT 5 6 |
| 11 | 36.7032.01 | Gruppo valvola | KIT 1 6 |
| 12 | 99.3039.00 | Vite M8x16 UNI 5931 | 8 |
| 13 | 47.1501.22 | Coperchio carter | 1 |
| 14 | 90.3913.00 | OR Ø 67,95x2,62 | 2 |
| 15 | 91.8375.00 | Cuscinetto a rulli 32206 | 2 |
| 16 | 90.1625.00 | Anello radiale Ø 22x32x5,5 | KIT 2 3 |
| 17 | 90.9126.00 | Boccola Ø 22x25x30 | 3 |
| 18 | 47.0100.22 | Carter | 1 |
| 19 | 98.2106.00 | Tappo carico olio G 3/8 | 1 |
| 20 | 90.3922.00 | OR Ø 133,02x2,62 | 1 |
| 21 | 47.0206.35 | Albero semplice P. di F. WS201 - W916 | 1 |
| 22 | 90.0557.00 | Anello di fermo | 6 |
| 23 | 91.4878.00 | Linguetta | 1 |
| 24 | 97.7380.00 | Spinotto Ø 13x35 | 3 |
| 25 | 47.0503.56 | Guida pistone | 3 |
| 26 | 47.0300.01 | Biella completa | 3 |
| 27 | 99.1912.00 | Vite M6x30 UNI 5931 | 5 |
| 28 | 47.1601.22 | Coperchio carter | 1 |
| 29 | 97.5968.00 | Spia olio G 3/4 | 1 |
| 30 | 98.2041.00 | Tappo G 1/4x9 | 1 |
| 31 | 90.3585.00 | OR Ø 10,82x1,78 | KIT 6 4 |
| 32 | 99.3099.00 | Vite M8x35 UNI 5931 | 6 |

| POS. | CODE CODICE | DESCRIPTION DESCRIZIONE | N. PCS. |
|------|-------------|------------------------------|----------------|
| 33 | 96.7014.00 | Rosetta Ø 8,4x13x0,8 | 6 |
| 34 | 96.7286.00 | Rosetta Ø 14x28x0,5 | KIT 6 3 |
| 35 | 47.0404.09 | Pistone Ø 20 | 3 |
| 36 | 90.5067.00 | Anello per OR | KIT 6 3 |
| 37 | 96.7280.00 | Rosetta Ø 14x18,5x0,5 | KIT 6 3 |
| 38 | 47.2195.66 | Vite fissaggio pistone | KIT 6 3 |
| 39 | 47.1500.22 | Coperchio carter | 1 |
| 40 | 97.5678.00 | Spessore | 2 |
| 41 | 90.1648.00 | Anello radiale Ø 30x55x7 | KIT 3 1 |
| 42 | 90.3616.00 | OR Ø 34,65x1,78 | KIT 10-28 3 |
| 43 | 47.0805.70 | Anello di fondo Ø 20 | KIT 10-28 3 |
| 44 | 90.2705.00 | Anello tenuta Ø 20 H.P. seal | KIT 28-69 3 |
| 45 | 47.1000.51 | Anello testa Ø 20 | KIT 7-28 3 |
| 46 | 47.2169.70 | Anello intermedio Ø 20 | KIT 28-71 3 |
| 47 | 90.2704.00 | Anello "RESTOP" Ø 20 | KIT 28-69-71 3 |
| 48 | 47.2000.74 | Piedino | 2 |
| 49 | 99.3644.00 | Vite M10x18 UNI 5931 | 4 |
| 50 | 96.7106.00 | Rosetta Ø 10 DIN 7980 | 4 |
| 51 | 98.2176.00 | Tappo G 1/2x10 | 1 |
| 52 | 96.7514.00 | Rosetta Ø 21,5x27x1,5 | 1 |
| 53 | 98.2100.00 | Tappo G 3/8x13 | 1 |
| 54 | 96.7380.00 | Rosetta Ø 17,5x23x1,5 | 1 |
| 56 | 90.2710.00 | Anello tenuta Ø 20 L.P. seal | KIT 28-69 3 |