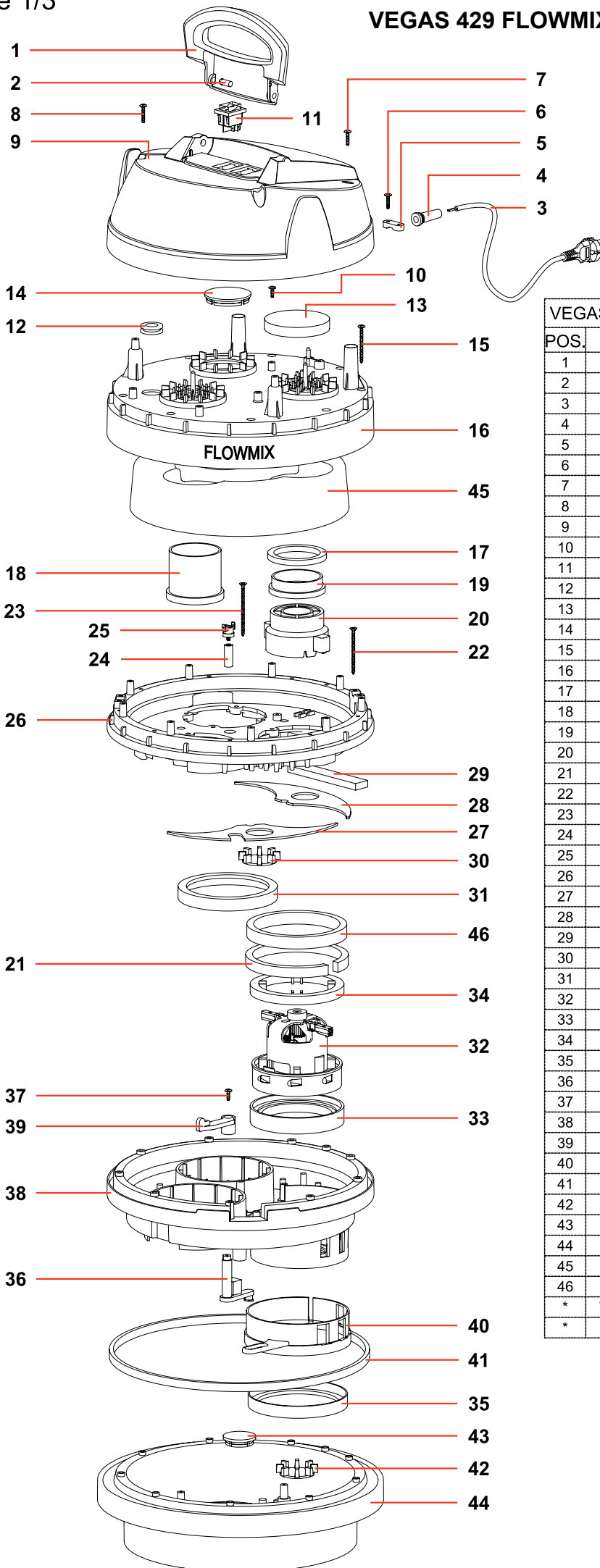


VEGAS 429 FLOWMIX

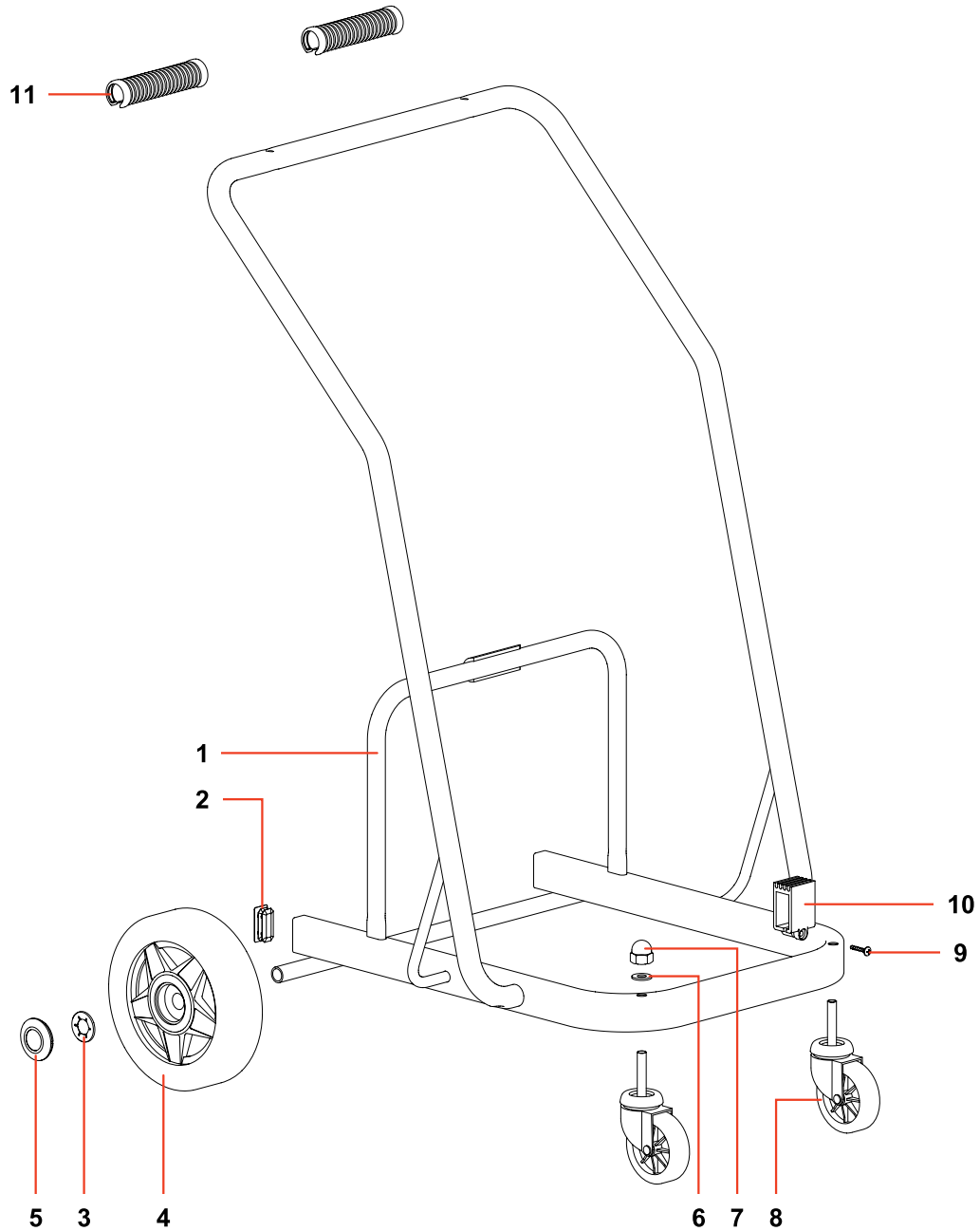


02/06/2013



VEGAS HEAD 429 F-M 250V AUSTR.CAB. REF. 20874 KAU

POS.	REF.	DESCRIPTION	N°
1	20720G6	HANDLE FOR VEGAS GR-6000	1
2	20730	PIN FOR VEGAS HANDLE	2
3	117 AUS	ELECTRIC CORD 2X1 MT.8,5 AUS.	1
4	138	FAIRLEAD	1
5	139	CABLE CLAMP	1
6	1006	SCREW PFU TMT PHL 5X20 BLACK	1
7	1006	SCREW PFU TMT PHL 5X20 BLACK	2
8	3629	VITE PAT TMT PHL 5X25 ZN NERA	2
9	20718G6 2I	VEGAS COVER 600 GR6000 2 SWITCHES	1
10	1005	SCREW PAT TMT PHL 5X14 ZN BLACK	2
11	484	ANTISPLASH RED LIGHT SWITCHER	2
12	1502	GUIDING SLIT FOR QUICK COUPLING	1
13	3937	FILTER MTP/65 H=15 D.95	2
14	3383	COVERING CAP	1
15	3273	SCREW PAT TMT PHL 5X55 BLACK	9
16	2957RN	COVERING NEVADA 600 NORMAL RED	1
17	3969	WASHER H8 D85X65	2
18	20742	SPACER FOR SERIES AND PARALLEL H.70	1
19	310	PLASTIC RING FOR MOTOR H=15	1
20	20325 AU	COVER/ADAPT. F/MOT.BYPASS SELF-EXT	2
21	20844	ANTI-NOISE 440X15X10	1
22	6600	CROSS SCREW TS 5X70	12
23	20951	CROSS SCREW TS 5X80	1
24	6241	THERM. PROBE	1
25	6235	THERMOREGULATOR MAX T.85 C	1
26	20811G6	MOT.FASTENER HS 600 GREY 6000	1
27	20831	MUFFLER DEVICE ON LEVER SIDE	1
28	20845	MUFFLER DEVICE	2
29	20843	ANTI-NOISE 140X25X10	3
30	468	AUTOMATIC VALVE	3
31	3901	"L" GASKET W/O HOLES H=5,5	2
32	20870	MOT.BS282 WL 1000W 240-250 50/60 M	2
33	20360	"L" GASKET D.130 H=13	2
34	20361	"C" GASKET D.130	2
35	3901	"L" GASKET W/O HOLES H=5,5	1
36	20687	LEVER FOR GATE VALVE	1
37	1005	SCREW PAT TMT PHL 5X14 ZN BLACK	1
38	20631G6	MOT.FASTENER FLOW MIX 2 MOTORS G6	1
39	20688	LINKAGE FOR GATE VALVE	1
40	20686	GATE VALVE	1
41	20842	GASKET 6X12 DIA 380	1
42	468	AUTOMATIC VALVE	2
43	3519	BASE CAP	1
44	3108G6	COMPL.BASE 600/400 GREY6000	1
45	20782	ANTI-NOISE 400/600 D320X65	1
46	21037	FOAM FILTER S-EXT.146X126X18 PPI45	1
*	7976 2MOT	ELECTR.KIT 600 TP 2MOT RAD	1
*	7632 L TP	CONNECTION 50CM TP MOTOR	2



COMPL.TIPPING TROLLEY 400			REF. 3251
POS.	REF.	DESCRIPTION	N°
1	3250-1	METAL TIPPING STRUCTURE 400	1
2	976	PLASTIC CAP 40X20	2
3	2557	BLOC D.18	2
4	904	REAR WHEEL D.200	2
5	3835NE	WHEEL CAP D.200/250 BLACK	2
6	1012	WASHER M 10	2
7	478	NUT M 10	2
8	479	FRONT WHEEL	2
9	1979	SCREW PFU TMT PHL 5X25 ZN BLACK	4
10	3450	TIPPING BEARING FEET	4
11	6250	PLAST.TROLLEY HANDLE	2