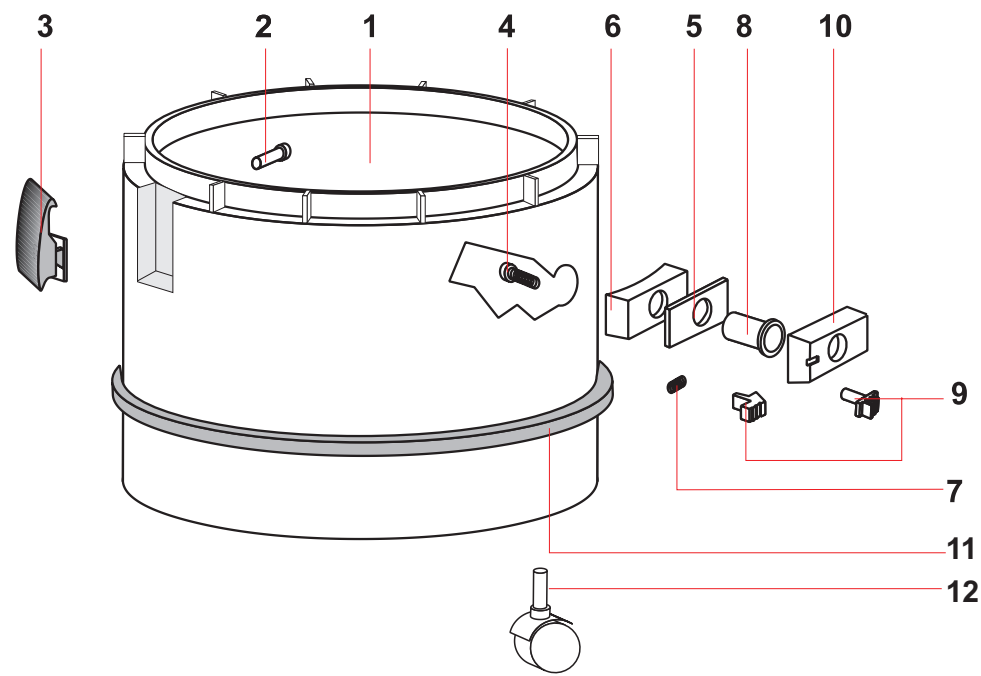
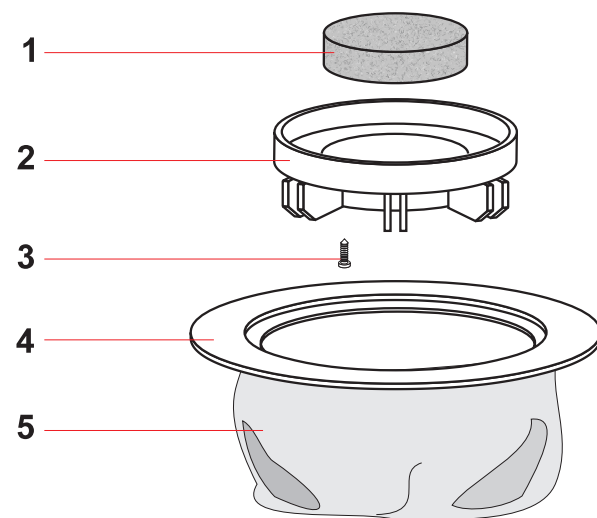


HEAD ASSEMBLY		KERRICK VH103	
Ref.	Part	Description	N°
1	K-NSI	CABLE 2X1,5 MT.8,5	1
2	VP00138	SLEEVE [ELECT CORD]	1
3	VP00139	SECURING BLOCK	1
4	K-NSI	SCREW M5X20	2
5	VP00450	TERMINAL BOARD 2 POLES	1
6	VP02589	ELECTRIC CORD HOOK - PL	1
7	K-NSI	SCREW 5X30	4
8	VP02588	HANDLE	1
9	K-NSI	SCREW 5X35	2
10	K-NSI	SCREW 5X35	2
11	VP02716RN	TOP COVER W P.HEAD OUTLET	1
12	VP00114	SWITCH WHITE (NO COVER)	1
13	K-NSI	SCREW M5X20	4
14	VP03383	CAP	1
15	K-NSI	SCREW 5X35	6
16	VP02738	COVER NEVADA	1
17	VP03900	FILTER	1
18	K-NSI	SCREW 5X40	6
19	VP02591	MOTOR FASTENER	1
20	VP03935	MOTOR GASKET	1
21	VP02355S	VAC MOTOR 1000W FLOW THRU	1
22	VP03901	MOTOR GASKET	1
23	VP02629	FILTER 65X15X520	1
24	VP01189	MOTOR BASE 103/115R/503PL	1
25	VP02392	ADDITIONAL SOCKET BIPOLAR	1
*	K-NSI	CONNECTING WIRES	4
*	K-NSI	CLIP	4
*			

FILTER ASSEMBLY		KERRICK VH103	
Ref.	Part	Description	N°
1	VP01203	FILTER	1
2	VP00122	FILTER BASKET	1
3	K-NSI	SCREW 5X35	4
4	VP00123	FILTER BAG RING	1
5	VP00124	FILTER BAG 103/203 LAVA/CLIP/SCUP	1



TANK ASSEMBLY		Complete: VP03552	
Ref.	Part	Description	N°
1	VP03551	TANK 103	1
2	K-NSI	RIVET 5X24.5	4
3	VP01847	TANK CLIP	2
4	K-NSI	SCREW 5X30	4
5	VP02653	36MM/38MM TANK INLET WITH POS LOCK	1
6	VP02653	36MM/38MM TANK INLET WITH POS LOCK	1
7	VP02653	36MM/38MM TANK INLET WITH POS LOCK	1
8	VP02653	36MM/38MM TANK INLET WITH POS LOCK	1
9	VP02653	36MM/38MM TANK INLET WITH POS LOCK	1
10	VP02653	36MM/38MM TANK INLET WITH POS LOCK	1
11	VP02630	ANTI-SHOCK BAND	1
12	VP00558	CASTOR WHEEL	4