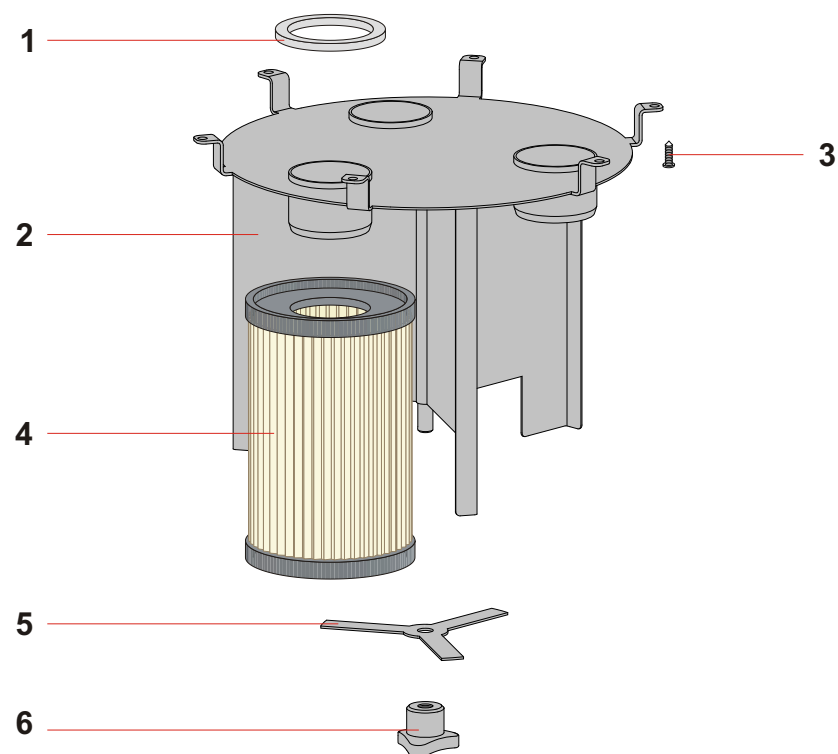
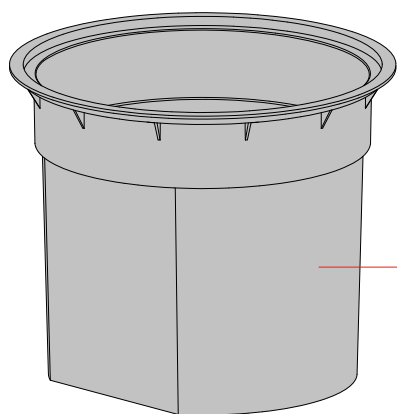


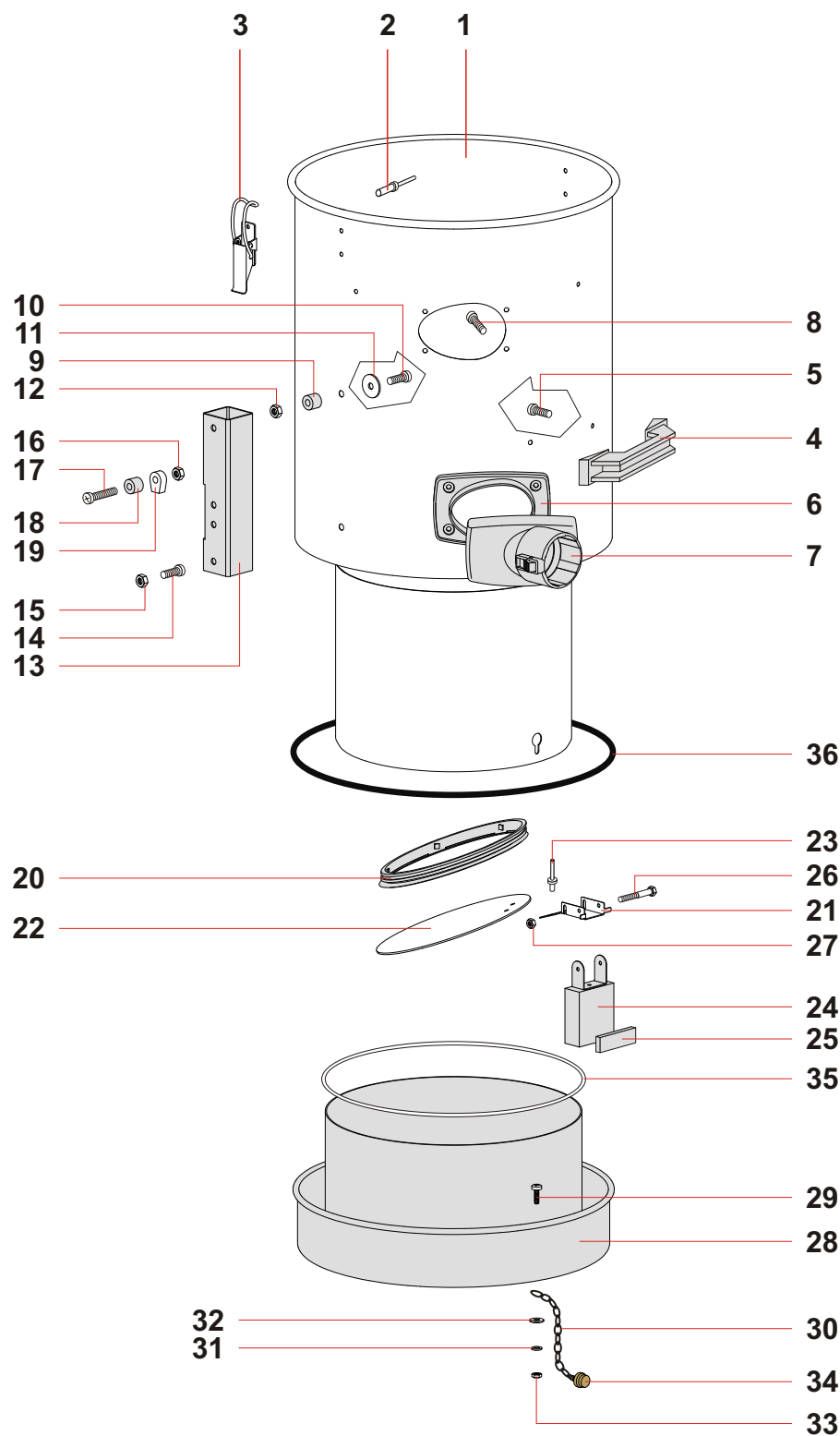
VEGAS HEAD 400 W/PL. 3-FLOW 230V REF. 21711 FC IPC			
POS	REF	DESCRIPTION	N°
1	20720VEI	VEGAS GREEN IPC HANDLE	1
2	20730	PIN FOR VEGAS HANDLE	2
3	4062	ELECTRIC CORD 2X1,5 MT.8,5	1
4	138	FAIRLEAD	1
5	139	CABLE CLAMP	1
6	1006	SCREW PFU TMT PHL 5X20 BLACK	1
7	1006	SCREW PFU TMT PHL 5X20 BLACK	2
8	3629	SCREW PAT TMT PHL 5X25 BLACK	2
9	20718G6 11	VEGAS COVER 600 DARK GREY 1 SWITCH	1
10	1005	SCREW PAT TMT PHL 5X14 ZN BLACK	2
11	3495/1,5	TERMINAL BOARD 400/600 1MOT RAD 1,5	1
12	30014	ANTISPLASH RED LIGHT SWITCH 25A	1
13	3937	FILTER MTP/65 H=15 D.95	3
14	3273	SCREW PAT TMT PHL 5X55 BLACK	9
15	6141	BLIND WIRE SLIDE	1
16	2957VEI	NEV.600 COVERING-IPC GREEN	1
17	2627	SCREW PAT TMT PHL 5X40 BLACK	9
18	2627	SCREW PAT TMT PHL 5X40 BLACK	3
19	1433	SCREW 5X45 BLACK	1
20	3189	SCREW M5X30 UNI7687	1
21	21641G6	MOTOR FASTENER 600 GREY 6000	1
22	3969	WASHER H8 D85X65	3
23	310	PLASTIC RING FOR MOTOR H=15	3
24	21672	CAP/ADAPTOR FOR MOT. 02 167 1	3
25	3901	"L" GASKET W/O HOLES H=5,5	3
26	21671/230	MOT. BS252 CP 1250W 240-250 50/60	3
27	7083	"L" GASKET PAGODA	3
28	6867	STAGE DUMMYH=20MM	3
29	6901	"L" GASKET W/O HOLES H=8	3
30	3454	ANTINOISE TRIANGLE H=51	3
31	21037	FOAM FILTER S-EXT. 146X126X18 PPI45	3
32	468/F12	AUTOMATIC VALVE W/HOLE D.12	3
33	3108 GPG6	COMPL. BASE 600/400 W/S.PLATE GR6000	1
34	6235	THERMOREGULATOR MAX T.85 C	1
35	6241	THERM. PROBE	1
36	21649	ELECTRONIC CARD 3 FLOW 220V	1
37	1005	SCREW PAT TMT PHL 5X14 ZN BLACK	2
*	7632	ELECTRIC KIT 43CM MOTOR	3

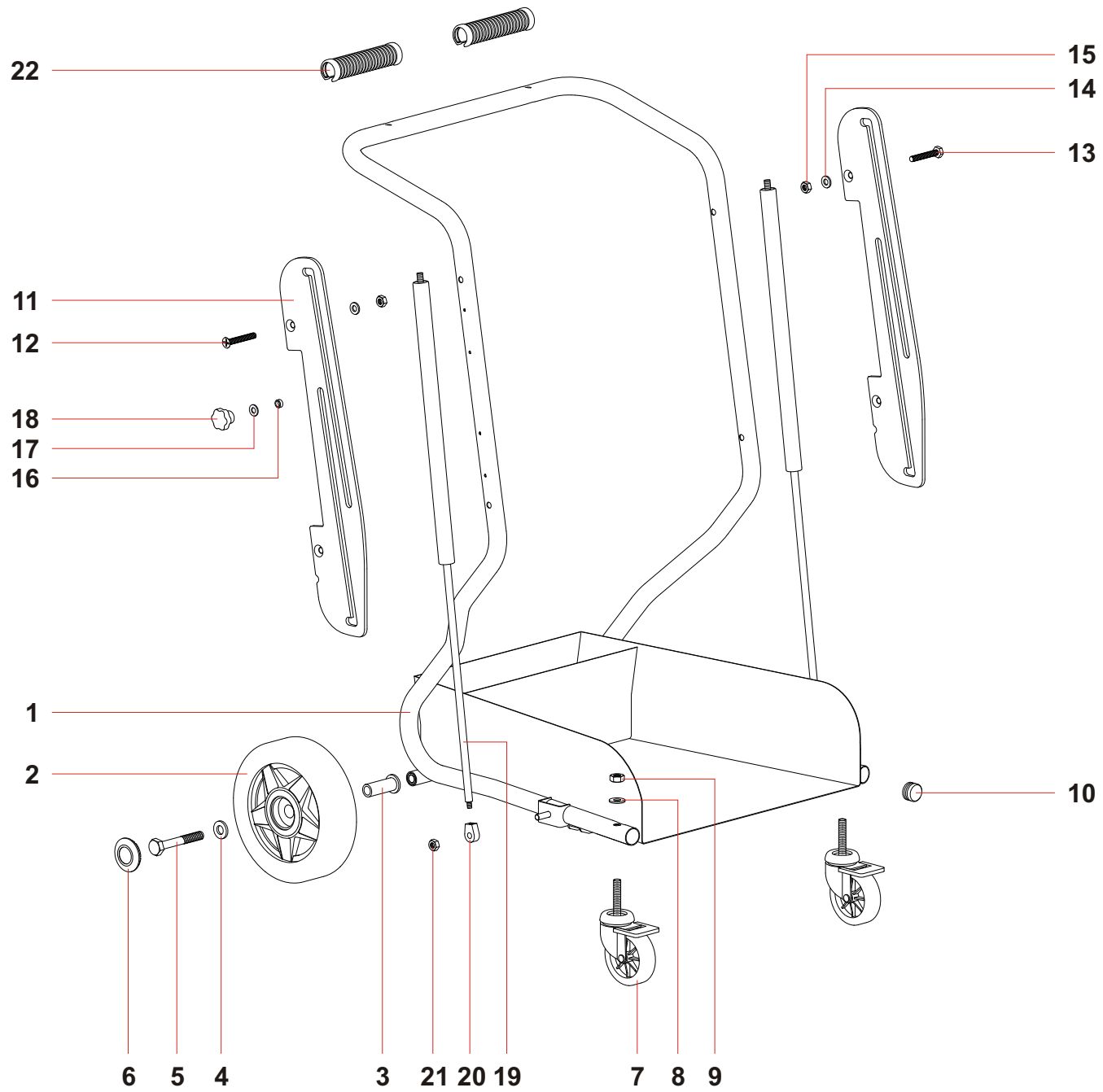
FILTER KIT 400/600 THRU-FLOW			REF. 21712
POS.	REF.	DESCRIPTION	N°
1	2070	GASKET FOR SUCTION BUSH	6
2	21624	SEPARATOR 3 FLOW	1
3	1005	SCREW PAT TMT PHL 5X14 ZN BLACK	6
4	21622	POLYCARTRIDGE 110X55X180 C1FC	3
5	21623	FILTERBLOCKING PLATE 3 FLOW	1
6	1732	HAND-WHEEL M10 "F"3 POINTS	1



FILTER PROTECTION			
POS.	REF.	DESCRIPTION	N°
1	20814 COND	FILTER PROTECTION W-D-400 CONDUCT.	1

TANK MBAG 400 AISI 430 FOR 3FLOW			REF. 21811 3FLOW
POS.	REF.	DESCRIPTION	N°
1	21843	TANK W/CONE MAXIBAG 400 3FLOW	1
2	1301	RIVET 5X11	4
3	7390	UNIVERSAL METAL HOOK	2
4	2993-1NE	BLACK HANDLE	1
5	1005	SCREW PAT TMT PHL 5X14 ZN BLACK	2
6	21647	TANGENTIAL INLET GASKET	1
7	21786 COND	COND. TANGENTIAL INLET W/RED BU TTON	1
8	1979	SCREW PFU TMT PHL 5X25 ZN BLACK	4
9	21717	SPACER D18 D8,2 L15	4
10	30027	SCREW	4
11	1744	WASHER 8X32 UNI6593	4
12	1033	NUT M8 UNI 5588	4
13	21680	MAXIBAG TANK BRACKET	2
14	1043	BOLT M 8X25	4
15	1033	NUT M8 UNI 5588	4
16	1030	SELFLOCKING NUT M 8 LOW	2
17	957	BOLT M 8X40 UNI5739	2
18	21717	SPACER D18 D8,2 L15	2
19	21715	GAS SPRING O-RING 8,1- 10X16 M8 ZB	2
20	21683	MAXIBAG CONE GASKET	1
21	21677	MAXIBAG VAL VE SUPPORT	1
22	21678	VALVE PLATE MAXIBAG	1
23	1301	RIVET 5X11	2
24	21679	MAXIBAG VAL VE COUNTERWEIGHT	1
25	2625	FILTER MTP/30 30X10X900	1
26	21770	SCREW M4X50	2
27	21776	SELF-LOCKING NUT M4 LOW	2
28	21674	LONGOPAC MAXIBAG SUPPORT	1
29	2195	SCREW M 4X12	1
30	7901	CHAIN ZIN.N°14	1
31	998	WASHER M4	1
32	1036	WASHER M5-5,3 D E 11,5	1
33	21776	SELF-LOCKING NUT M4 LOW	1
34	30017	SUPPORT DETENT PIN FOR MAXIBAG	1
35	30018	ELASTIC FOR MAXIBAG SUPPORT	1
36	21826	MAXIBAG TANK CASING 400	1
*	21203	SPARE PAPER BAG LONG PAC	1





MAXIBAG TROLLEY 400 COMPLETE			REF. 21812
POS.	REF.	DESCRIPTION	N°
1	21675	MAXIBAG STRUCTURE	1
2	904	REAR WHEEL D.200	2
3	1401	BUSH FOR REAR WHEEL	2
4	1028	WASHER M12 UNI 6592	2
5	21633	SCREW TE M12X75 ZB UNI 5737	2
6	3835NE	WHEEL CAP D.200/250 BLACK	2
7	20128	WHEEL D.80 W/BRAKE SUP. ZN M10X47	2
8	1012	WASHER M10	2
9	7145	NUT M10 UNI 7474 LOW	2
10	21719	PLASTIC CAP FOR TUBE D.25	2
11	21684	MAXIBAG SLIDING PLATE FOR 400/600	2
12	21720	SCREW	2
13	7146	SCREW M8X50 UNI5737 GALV.	2
14	1034	WASHER M8 UNI 6592	4
15	1033	NUT M8 UNI 5588	4
16	21681	SHAFT REPAIR SLEEVE	4
17	1010	WASHER 8X24	8
18	2186	HAND WHEEL M8 VB/30	4
19	21716	GAS SPRING	2
20	21715	GAS SPRING O-RING 8,1-10X16 M8 ZB	2
21	1030	SELFLOCKING NUT M 8 LOW	2
22	6250	PLAST.TROLLEY HANDLE	2