

Head

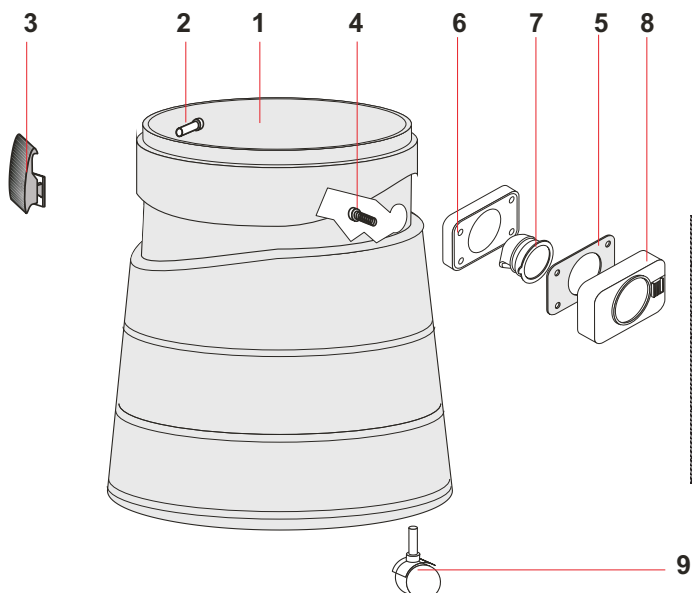
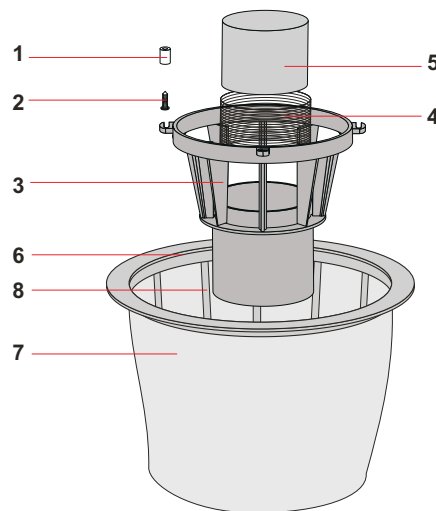
Assembly Part No: 2664

POS	PART NUMBER	DESCRIPTION	#
1	VP00117 AUS	ELECTRIC CORD 2X1 MT.8,5 AUS.	1
2	VP00138	CABLE SLEEVE	1
3	VP00139	CABLE CLAMP	1
4	VP01006	SCREW PFU TMT PHL 5X20	2
5	VP03464	TERMINAL BOARD BASE-SKIP BOX RAD	1
6	VP02589	HOOK FOR ELECTRICAL CORD	1
7	VP01026	SCREW PAT TMT PHL 5X30	4
8	VP02588	HANDLE TOP	1
9	VP01050	SCREW PAT TMT PHL 5X35	2
10	VP01050	SCREW PAT TMT PHL 5X35	2
11	VP02590	COVER TOP	1
12	VP00326	ANTISPLASH SWITCH	1
13	VP01006	SCREW PFU TMT PHL 5X20	4
14	VP03937	FILTER MTP/65 H=15 D.95	1
15	VP01050	SCREW PAT TMT PHL 5X35	6
16	VP02738	COVER - MOTOR	1
17	VP03969	WASHER H8 D85X65	1
18	VP03900	FOAM FILTER	1
19	VP02627	SCREW PAT TMT PHL 5X40	6
20	VP01006	SCREW PFU TMT PHL 5X20	4
21	VP02591	MOTOR-FASTENER 99	1
22	VP03901	"L" GASKET WO/H H=5,5	1
23	VP03975 S	MOTOR BD382 1200W 250 50/60 (Australia Only)	1
	VP03890 S	MOTOR BD382 1200W 230V 50/60 (New Zealand only)	1
24	VP03901	"L" GASKET WO/H H=5,5	1
25	VP03866	WASHER MTP 65MM 18D 230X145	1
26	VP01189	BASE 500	1
*	VP7632/PL	CONNECTING WIRES	1

Filter

Assembly Part No: 3247

POS	PART NUMBER	DESCRIPTION	#
1	VP03706	PLASTIC SLEEVE D.8	4
2	VP03724	SCREW PAT TMT PHL 5X25	4
3	VP02823	HIGHER ANTIFOAM BODY 99	1
4	VP03138	NET FILTER 0,4 D.90 H=45	1
5	VP02676	HIGHER FLOAT 99	1
6	VP00507	FILTER RING 500	1
7	VP02860	CONICAL POLYESTER.FILTER 300	1
8	VP02859	CONICAL BASKET 300	1



Tank

Assembly Part No: 2886

POS	PART NUMBER	DESCRIPTION	#
1	VP02599	BIG PLAST.TANK 303/315	1
2	VP01300	RIVET 5X24,5	4
3	VP01847	COMPLETE PLASTIC HOOK	2
4	VP06258	SCREW AUT.TC PHL 4,8X32	4
5	VP02846	GASKET D.38	1
6	VP02586	GASKET R 205	1
7	VP02593	DEFLECTOR 99	1
8	VP02652 A	INLET R 155	1
9	VP00558	TROLLEY BOX WHEEL	6