

Head

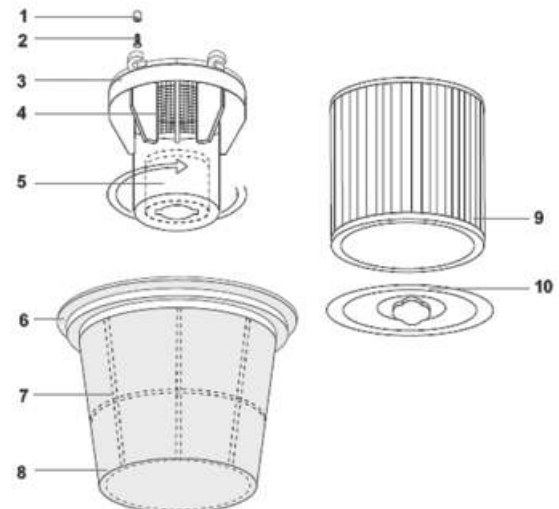
Assembly Part No: 3063FP KAU

POS	PART NUMBER	DESCRIPTION	#
1	VP04062	ELECTRIC CORD 2X1,5 (DOMO)	1
2	VP00138	FAIRLEAD	1
3	VP00139	LOCKLEAD	1
4	VP01006	SCREW PFU TMT PHL 5X20	2
5	VP03032	ELECTRIC CORD HOOK MEC 600	1
6	VP01054	SCREW PAT TMT PHL 5X50	4
7	VP03034	HANDLE MEC 600	1
8	VP01050	SCREW PAT TMT PHL 5X35	2
9	VP01006	SCREW PFU TMT PHL 5X20	4
10	VP01005	SCREW PAT TMT PHL 5X14	2
11	VP00490	TERMINAL BLOCK "G"	1
12	VP01054	SCREW PAT TMT PHL 5X50	2
13	VP03061	COVER MEC 600 3 MOTORS	1
14	VP01006	SCREW PFU TMT PHL 5X20	2
15	VP00484	ANTISPLASH SWITCH	3
16	VP03937	FILTER MTP/65 H=15 D.95	3
17	VP01054	SCREW PAT TMT PHL 5X50	9
18	VP01502	GUIDING SLIT FOR QUICK COUPLING	1
19	VP02957	COVERING NEVADA 600	1
20	VP02627	SCREW PAT TMT PHL 5X40	9
21	VP02627	SCREW PAT TMT PHL 5X40	3
22	VP02937	MOTORFASTENER NEVADA 600	1
23	VP01004	SCREW "TC" PHL 4,3X19	1
24	VPR2959	TERMINAL BOARD 6 POLES	1
25	VP03969	WASHER H8 D85X65	3
26	VP01006	SCREW PFU TMT PHL 5X20	12
27	VP00310	PLASTIC RING FOR MOTOR 1200 W.	3
28	VP03901	"L" GASKET WO/H H=5,5	3
29	VP03973 S	MOTOR BD302 1080W 250 50/60 (Australia)	3
29	VP03891 S	MOTOR BD302 1000W 220-240 50/60 (NZ)	4
30	VP03901	"L" GASKET WO/H H=5,5	3
31	VP03454	FILTER FONO MTP/30 AU SP.45	3
32	VP03456	GASKET MTP/30 AU-AD 50X10X125	3
33	VP00468	AUTOMATIC VALVE	3
34	VP03108	COMPL BASE 600/400 3 MOTORS	1
*	VP01101	CONNECTING WIRES	12
*	VP01106	CLIP	4

Filter

Assembly Part No: 3247

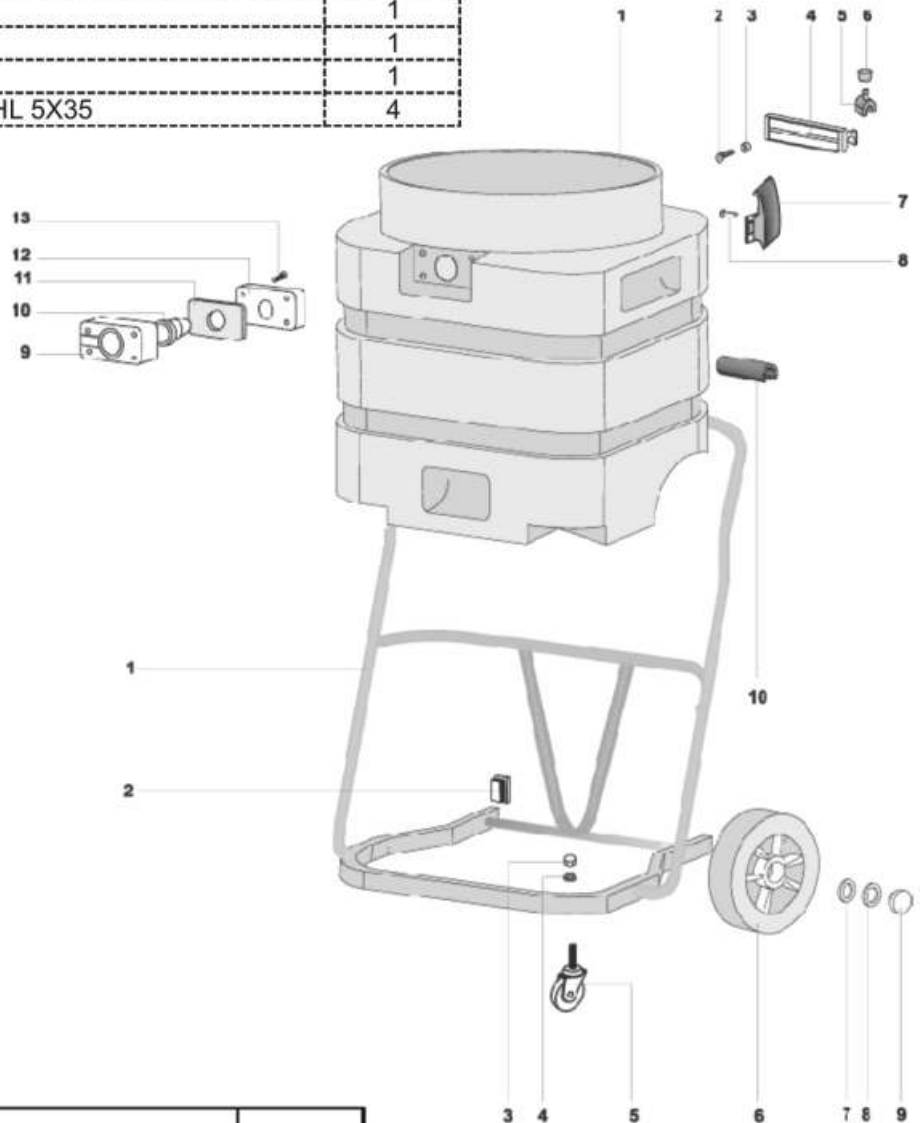
1	VP03706	PLASTIC SLEEVE D.8	4
2	VP03724	SCREW PAT TMT PHL 5X25	4
3	VP02823	HIGHER ANTIFOAM BODY 99	1
4	VP03117	NET FILTER 0,3 D.90 H=58	1
5	VP02627	SCREW PAT TMT PHL 5X40	1
6	VP00473	FILTER RING 400	1
7	VP02845	CONICAL POLY.FILTER 400	1
8	VP02833	CONICAL BASKET 400	1
9	VP02852	CARTRIDGE FILTER D.175X145X163	1
10	VP02855	COMPL.RING FOR FILTER	1



Tank

Assembly Part No: 2218

1	VP02048	TIPPING PLASTIC TANK 400/S	1
2	VP01026	SCREW PAT TMT PHL 5X30	4
3	VP03883	COMPLETE SEAL	4
4	VP03028	BODY HINGE NEVADA	1
5	VP02970	GRIPPING HINGE	2
6	VP02969	HINGE KNOB	2
7	VP01847/S	COMPLETE PLASTIC HOOK/S	2
8	VP01300	RIVET 5X24,5	4
9	VP02652 A	INLET R 155	1
10	VP02593	DEFLECTOR 99	1
11	VP02846	GASKET D.38	1
12	VP02586	GASKET R 205	1
13	VP01050	SCREW PAT TMT PHL 5X35	4



Trolley

Assembly Part No: 2219

POS	PART NUMBER	DESCRIPTION	#
1	VP02185	TIPPING TROLLEY BODY 400/S	1
2	VP00976	PLASTIC CAP 40X20	2
3	VP00478	NUT 10 MA	2
4	VP01012	WASHER 10	2
5	VP00479	FRONT WHEEL	2
6	VP02896	WHEEL SR 250	2
7	VP02922	BLOC D.20	2
8	VP03607	WASHER PLAST. D.40X20,5X3	2
9	VP02972	CUP WHEEL D.250	2
10	VP06250	PLAST.TROLLEY HANDLE	2