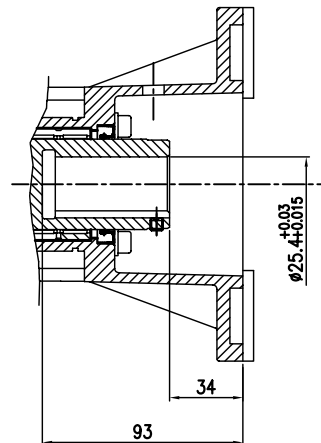
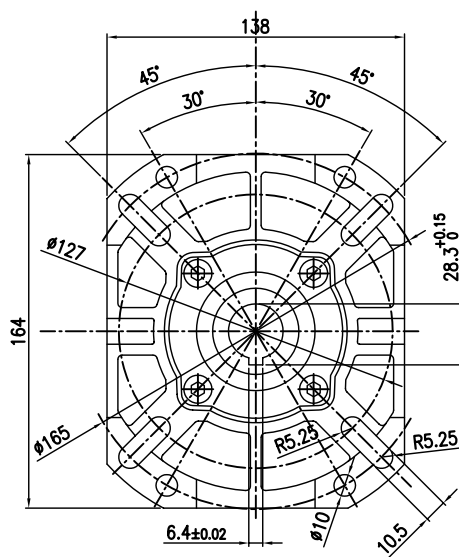
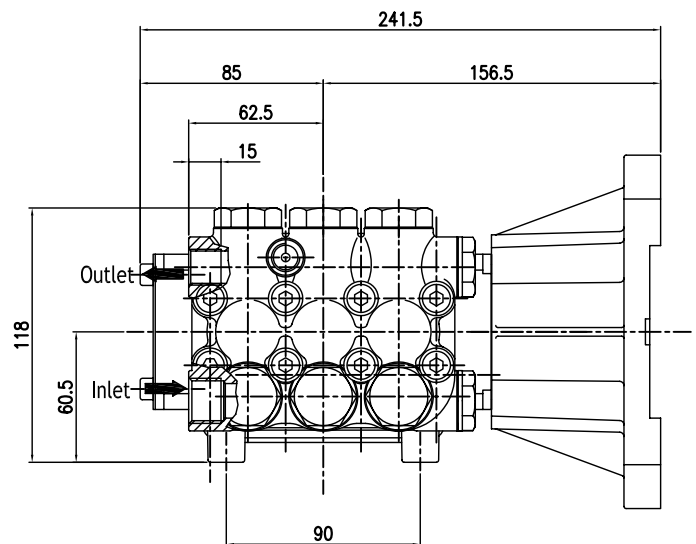
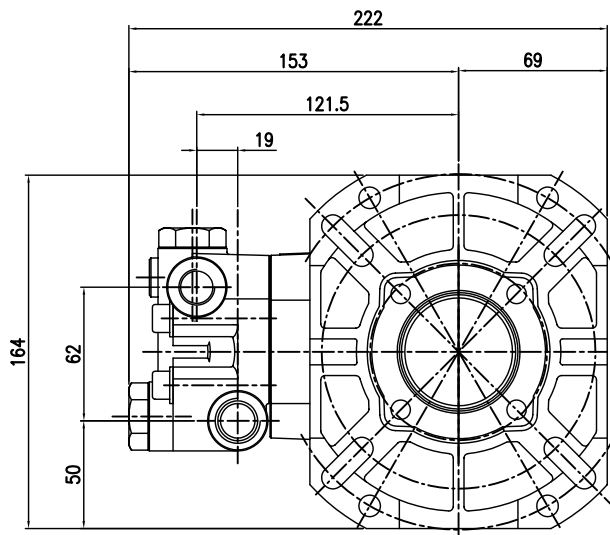


PS315G1
PS325G1
PS345G1

HAWK pumps
PS G1 series

Pump Pompe Pumpen Pompa	Pressure Pression Druck Pressione		Volume Débit Leistung Portata		RPM tours/min u.p.m. giri/min	Required HP Puissance HP Leistung HP Potenza HP	Inlet port Entrée Eingang Aspirazione	Outlet Sortie Ausgang Mandata
	bar	PSI	l/min	GPM				
PS315G1	200	3000	11.4	3.0	3400	6.0	G 1/2	G 3/8
PS325G1	200	3000	13	3.5	3400	6.8	G 1/2	G 3/8
PS345G1	200	3000	14.5	3.8	3400	7.5	G 1/2	G 3/8



Lubrificazione: Olio SAE 20/40W
Capacità 0.4 Litri

Lubrication: SAE 20/40W Oil
Capacity 0.4 Litri

Pos. Item	Codice Part Number	Description	Descrizione	Q.tà/Pompa Q.ty/Pump	PS315G1	PS325G1	PS345G1
1	0202.92	Crankcase	<i>Carter</i>	1			
*2	0001.05	Plunger oil seal	<i>Anello radiale</i>	3			
*3	0601.81	"O" Ring Ø1.78x28,30	<i>"O" Ring Ø1.78x28,30</i>	3			
*4	1201.31	Pressure ring 15mm	<i>Pressore Ø15</i>	3			
*5	0002.07	"V" seal, dia.15mm	<i>Anello tenuta "V" Ø15</i>	6			
*6	0300.48	Support ring 15mm	<i>Diffusore Ø15</i>	6			
*7	0300.49	Intermed. ring 15mm	<i>Diffusore Intern. Ø15</i>	3			
8	1601.20	Brass plug G1/2	<i>Tappo G1/2</i>	1			
9	0603.07	Copper washer 1/2	<i>Guarnizione rame G1/2</i>	1			
10	1602.28	Manifold housing	<i>Testata</i>	1			
*11	0601.55	"O" Ring Ø1.78x15.54	<i>"O" Ring Ø1.78x15.54</i>	6			
*12	3604.73	Valve assembly	<i>Valvola premontata</i>	6			
*13	0601.22	"O" Ring Ø2.62x18.77	<i>"O" Ring Ø2.62x18.77</i>	6			
14	1601.47	Valve plug	<i>Tappo valvola</i>	6			
15	0603.08	Copper washer 1/4	<i>Guarnizione rame G1/4</i>	1	■	■	■
16	1601.21	Brass plug G1/4	<i>Tappo G1/4</i>	1			
17	1801.18	Manifold stud bolt	<i>Vite M8x60</i>	8			
18	1400.01	Washer	<i>Rosetta Ø8.5</i>	8			
19	0603.06	Copper washer 3/8	<i>Guarnizione rame G3/8</i>	1			
20	1601.17	Brass plug G3/8	<i>Tappo G3/8</i>	2			
21	1503.28	Valve seat	<i>Sede valvola</i>	6			
22	1202.00	Valve plate	<i>Piattello valvola</i>	6			
23	0900.30	Valve spring	<i>Molla valvola</i>	6			
24	0604.10	Valve cage	<i>Gabbia valvola</i>	6			
25	1801.12	Screw	<i>Vite M6x16</i>	8			
26	0203.18	Bearing cover	<i>Coperchio cuscinetto</i>	1			
27	0205.02	Bearing seal	<i>Cappellotto cuscinetto</i>	1			
28	1500.03	Snap ring	<i>Anello Ø25</i>	1			
29	0213.00	Ball bearing	<i>Cuscinetto a sfere</i>	1			
30	0004.95	Crankshaft	<i>Albero eccentrico</i>	1		■	
	0004.96	Crankshaft	<i>Albero eccentrico</i>	1	■		
	0004.97	Crankshaft	<i>Albero eccentrico</i>	1			■
31	1803.02	Crankshaft screw	<i>Grano M6x6</i>	1			
32	1600.12	Oil dip stick	<i>Tappo livello olio</i>	1			
33	0601.83	"O" Ring Ø3.53x55.56	<i>"O" Ring Ø3.53x55.56</i>	1			
34	0200.10	Needle Bearing	<i>Cuscinetto NK 42/30</i>	1			
35	0500.55	Engine Flange	<i>Flangia motore</i>	1			
36	1400.02	Washer	<i>Rosetta Ø6,5</i>	4			
37	1801.32	Flange screw	<i>Vite M6x30</i>	4			
38	1802.20	Hexagonal screw	<i>Vite 5/16"x1</i>	4			
39	1401.03	Lock-Washer	<i>Rosetta elastica Ø8.4</i>	4			
40	1400.51	Washer	<i>Rosetta piana Ø8.4</i>	4			
41	1802.21	Screw	<i>Vite 3/8"</i>	4			
42	1400.53	Lock-Washer	<i>Rosetta elastica Ø10</i>	4	■	■	■
43	1400.52	Washer	<i>Rosetta piana Ø10</i>	4			
44	0001.09	Crankshaft seal	<i>Anello radiale</i>	1			
*45	0302.11	Plunger nut	<i>Dado pistone</i>	3			
*46	1200.23	Plunger 15mm	<i>Pistone Ø15</i>	3			
*47	1400.27	Copper spacer	<i>Rosetta rame</i>	3			
*48	0601.30	"O" Ring Ø1.78x5.28	<i>"O" Ring Ø1.78x5.28</i>	3			
*49	0009.13	Teflon ring	<i>Anello antiestrusione</i>	3			
50	0003.20	Plunger rod	<i>Asta pistone</i>	3			

51	1502.04	Connecting rod pin	<i>Spinotto</i>	3			
52	0100.08	Connecting rod	<i>Biella completa</i>	3			

Pos. Item	Codice Part Number	Description	Descrizione	Q.tà/Pompa Q.ty/Pump	PS315G1	PS325G1	PS345G1
53	1401.02	Spring washer	<i>Rosetta elastica Ø6</i>	6	■	■	■
54	1801.32	Connecting rod screw	<i>Vite M6x30</i>	6			
55	0700.05	Sight glass	<i>Spia livello olio G3/4</i>	1			
56	0603.02	Gasket	<i>Guarnizione G3/8</i>	1			
57	0203.52	Crankcase cover	<i>Coperchio</i>	1			
58	0601.04	"O" Ring Ø2.62x107.62	<i>"O" Ring Ø2.62x107.62</i>	1			

		Part available in kit only
--	--	-------------------------------

*Particolare disponibile
solo in kit*

*		Part available in kit also
---	--	-------------------------------

*Particolare disponibile
anche in kit*

SPARE PARTS KIT

Posizioni Item	Part Number & Description	Codice e Descrizione	Q.tà/Pompa Q.ty/Pump	PS315G1	PS325G1	PS345G1
3-5-6	2614.08 Plunger Seals 15 mm	2614.08 <i>Guarnizioni pistone Ø15</i>	1	■	■	■
2-3-4-5-6-7	2614.09 Complete seal Packing 15 mm	2614.09 <i>Pacco completo Guarnizioni pistone Ø15</i>	3			
45-46-47-48-49	2614.04 Plunger 15 mm	2614.04 <i>Pistone Ø15</i>	3			
11-12-13	2600.28 Complete Valve	2600.28 <i>Valvola completa</i>	1			
2	2608.26 Plunger oil Seals	2608.26 <i>Anelli tenuta olio Asta</i>	1			